

FXD-1102

Home | Security | IP Domes | Megapixel Fixed

FXD-1102

1/3" Network Dome, Fixed, Day&Night, 4mm ,

1600x1200, vandal resistant, ONVIF

Art-Nr. 92717



ONVIF



Main Features

1/3" 2 megapixel CMOS network dome

Resolution 1600 x 1200 (HD 720p)

Simultaneous video streaming (H.264/MJPEG/MPEG-4)

Electronic day&night switching

e-PTZ support

Privacy zone masking

Integrated motion detection

For indoor use, vandal resistant IK10

Alarm-recording (NAS, ISCSI)

ONVIF conformity

Power over Ethernet (PoE)

Client management software included

Specifications

Series	eneo F
System	day&night
Sensor size	1/3"
Imager	CMOS
Sensitivity (at 50% video signal)	0,5 Lux, at F1.2
Digital Noise Reduction (DNR)	no
Low speed shutter	yes, 1/25sec. ~1/100,000sec.
Backlight compensation	no
Wide Dynamic Range (WDR)	no
IR cut filter	OLPF (Overlay Low Pass Filter)
Mirror function	yes
Resolution max.	1600 x 1200
Resolution	2 megapixels

FXD-1102

(Continuation Specifications)

Image transmission rate max.	30 B./Sek.
Privacy zones masking	4 areas selectable
Activity detection	yes
Analysis Functions	motion detection
Text display	supplied
Menu languages	English, Chinese
Audio support	no
Alarm inputs	-
Alarm outputs	-
Internal storage	no
Compression standard	H.264, MJPEG
Ethernet interface	100Base-TX
Network protocols	TCP/IP, HTTP, DHCP, DNS, DDNS, RTP, RTCP, PPPoE, FTP, SMTP, NTP, SNMP, HTTPS, SIP, SRTP, IPv6, IPv4
Lens type	fixed focal length
Focal length	4 mm
Horizontal angle of view	73°
Digital zoom	no
Illumination	no
Recording	permanent, movement, timer, manual
Serial interfaces	no
Remote configuration	remote software, via web browser
Password protection	yes
PTZ support	yes
Supply voltage	12VDC +/- 10%, 12VDC, PoE
Power over Ethernet	yes
Heater	no
Power consumption	4watts
Mounting	wall mount, ceiling mount
Temperature range (operation)	-10°C ~+60°C
Vandalism resistant	yes
Housing	outdoor, indoor
Housing material	metal
Colour (housing)	RAL9010
Colour (bubble)	clear
Protection rating	IP66
Management Software Support	Finitra, Zelaris
SDK	available, SDK incl. HTTP-API and ActiveX
ONVIF	core specifications 1.02
Certificates	IK10, EN 50102, IEC 60068-2-75 Eh, 50, CE

FXD-1102

(Continuation Spezifications)

Dimensions (HxWxD)	100x97.5x46.5mm
Weight	250 g

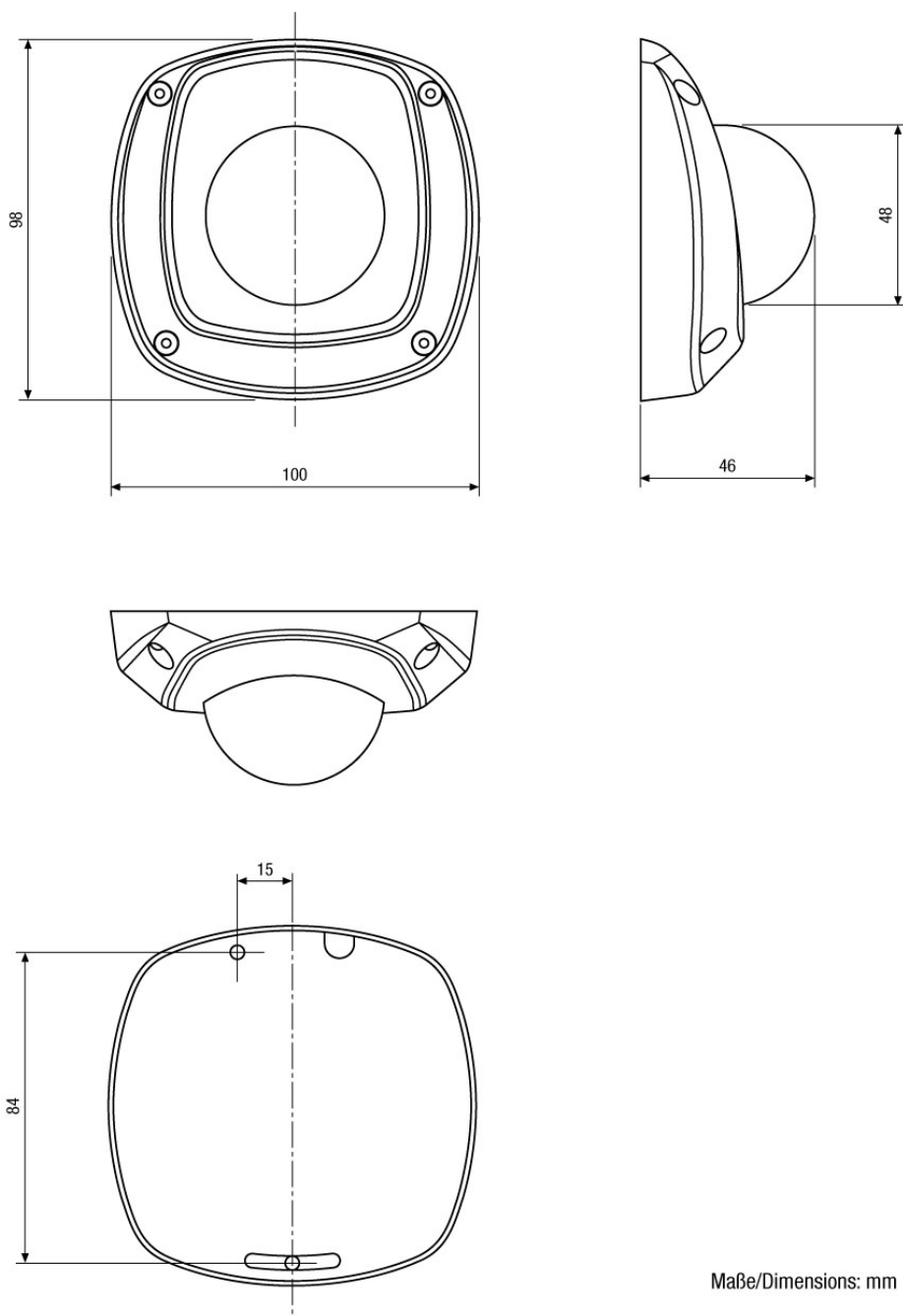
Optional accessories

93037	FNR-4016/500	Network Video Recorder, 16xIP, 1600x1200 (@4 Channels), H.264, 500GB, 230VAC
93035	FNR-4004/500	Network Video Recorder, 4xIP, 1600x1200 (@ 2 Channels), H.264, 500GB, 12VDC
93172	FINITRA	Video Management Software, for eneo F-Series
170038	POE125U-8C	PoE Midspan, 8 Ports, 15.4W, Gigabit, 100-240VAC
170006	POE20U-560(G)	High PoE Midspan, 1 Port, 19.6W, Gigabit, 100-240VAC

FXD-1102

Home | Security | IP Domes | Megapixel Fixed

Technical drawing



FXD-1002/IR

Home | Security | IP Domes | Megapixel Fixed

FXD-1002/IR

1/3" Network Dome, Fixed, Day& Night, 2.7 -9mm,

1600x1200, in frared, PoE, ONVIF

Art-Nr. 92709



ONVIF



Main Features

1/3"2 megapixel progressive CMOS sensor
Resolution 1600 x 1200 (HD 720p) max.
Simultaneous video streaming (MPEG-4 & H.264)
Removeable IR cut filter (ICR)
e-PTZ function
Privacy zone masking

Integrated motion detection
Audio and alarm in-/outputs
Alarm-recording (SD card/SDHC)
ONVIF conformity / vandal resistant
Integral IR illumination
Client management software included

Specifications

Series	eneo F
Resolution standard	HD 720p
System	day&night
Sensor size	1/3"
Imager	CMOS
Sensitivity (at 50% video signal)	0,5 Lux, at F1.2
Digital Noise Reduction (DNR)	no
Low speed shutter	yes, 1/4sec - 1/100,000sec
Backlight compensation	no
Wide Dynamic Range (WDR)	no
IR cut filter	switchable
Mirror function	yes
Resolution max.	1600 x 1200

FXD-1002/IR

(Continuation Spezifications)

Image transmission rate max.	25 B./Sek.
Frame rate	12.5 fps @ 1600x1200, 12.5 fps @ 1600x912, 25 fps @ 1280x720
Privacy zones masking	4 areas selectable
Activity detection	yes
Analysis Functions	motion detection
Text display	supplied
Menu languages	English, Chinese
Audio support	yes
Alarm inputs	1
Alarm outputs	1
Internal storage	SDHC card, SD card
Digital storage media	Apacer 1GB, Apacer 4GB, 8GB, 16GB, Kingston 1GB, 2GB, Kingston 4GB, 8GB, 16GB, 32GB, ScanDisk 1GB, 2GB, ScanDisk 4GB, 8GB, 32GB, Crucial 1GB, Trancend 4GB, 8GB, 16GB, KINGMAX 4GB, 8GB, 16GB, A-Data 4GB, 16GB
Compression standard	H.264, MJPEG
Stream types	H.264, MJPEG multiple
Network connection	RJ-45
Ethernet interface	100Base-TX
Web browser	MS Internet Explorer vers. 7.0 or higher
Network protocols	TCP/IP, HTTP, DHCP, DNS, RTP, RTCP, PPPoE, FTP, SMTP, NTP, SNMP
Lens type	varifocal
Nominal format size	1/3"
Focal length	2,7 mm - 9 mm
Horizontal angle of view	101° - 30,4°
Digital zoom	yes
Iris control	no
Illumination	infrared, 24 LEDs 850nm. Integrated light sensor for On/Off switching of the illumination
Illumination range	approx. 15m (at a good light reflexion and 40% Videosignal)
Recording	permanent, contact, movement, timer
Serial interfaces	RS-485
Remote configuration	via web browser, remote software
Password protection	yes
PTZ support	yes
Supply voltage	PoE (IEEE-802.3af), 24VAC, 12VDC
Power over Ethernet	yes
Heater	no
Power consumption	approx. 5 W
Mounting	ceiling mount, wall mount

FXD-1002/IR

(Continuation Spezifications)

Temperature range (operation)	-20°C ~+60°C
Vandalism resistant	yes
Housing	outdoor, indoor
Housing material	metal
Colour (housing)	RAL9010
Colour (bubble)	clear
Protection rating	IP66
Management Software Support	Finitra, Zelaris
SDK	available, SDK incl. HTTP-API and ActiveX
ONVIF	core specifications 1.02
Certificates	IK10, EN 50102, IEC 60068-2-75 Eh, 50
Dimensions (LxD)	156 × 134.5mm
Weight	1400 g

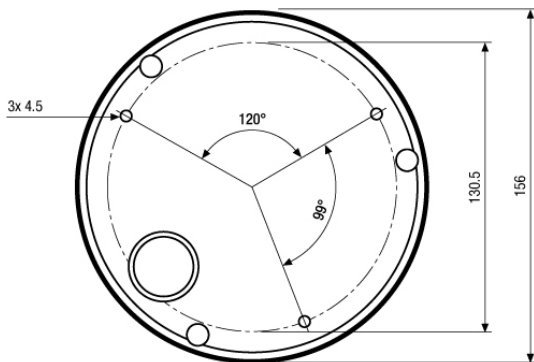
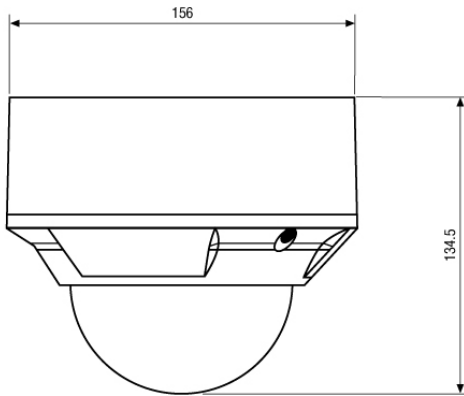
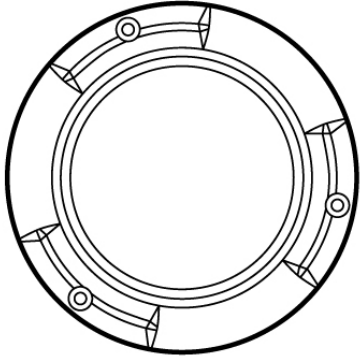
Optional accessories

93037	FNR-4016/500	Network Video Recorder, 16xIP, 1600x1200 (@4 Channels), H.264, 500GB, 230VAC
93035	FNR-4004/500	Network Video Recorder, 4xIP, 1600x1200 (@ 2 Channels), H.264, 500GB, 12VDC
93172	FINITRA	Video Management Software, for eneo F-Series
70456	AK-2	Camera Connection Box for Standard and Ethernet Cameras
170038	POE125U-8C	PoE Midspan, 8 Ports, 15.4W, Gigabit, 100-240VAC
170006	POE20U-560(G)	High PoE Midspan, 1 Port, 19.6W, Gigabit, 100-240VAC

FXD-1002/IR

Home | Security | IP Domes | Megapixel Fixed

Technical drawing



Maße/Dimensions: mm



VIDEOR