



EDC-WMB1

Article-No.: 74127




Wall Mount for EDC(H) Dome
Cameras with Mounting Kit

Mainfeatures

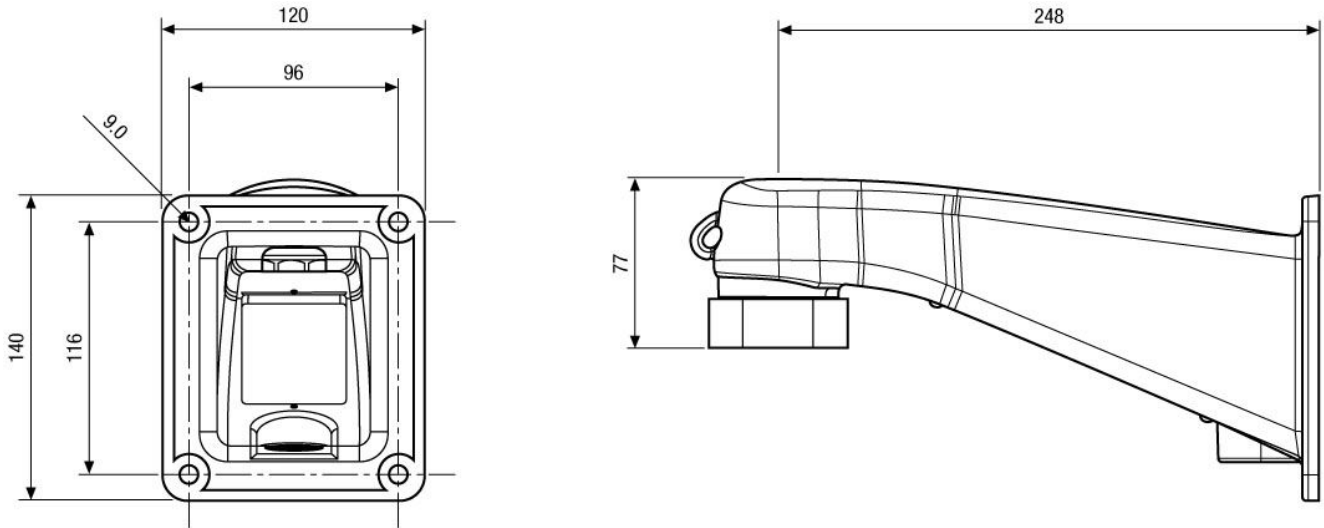
For wall mounting of dome camera series EDC(H)
Rugged aluminium construction

Hidden cable harness
Swivel head with large adjustment range

Optional Accessories

Image	Artikel-Nr. / Typ	Description
	EDC-PM7	Pole Mount Adapter for EDC-IPx1/OPx1 Housings and Wall Bracket EDC/WMB1
	EDC-CMA2	Corner Mount Adapter for EDC-IPx1/OPx1 Housings and Wall Bracket EDC/WMB1
	EDC-CMA3	Corner Mount Adapter for Fastrax Wall Bracket EDC-WMB1, Steel Metal

Technical Drawing



Maße/Dimensions: mm

Your partner for eneo products:

