

Video Security



EDC-143E

1/4" Colour/B&W High Speed Dome Camera
with 23x Zoom Lens, 24VAC, 480TVL

Art-No. 74091



Features

Colour/B&W Dome Camera (Progressive Scan CCD)
23x Optical and 10x Digital Zoom (216 Total)
Zoom Lens: F1.6/3.6-82.8mm
Wide Dynamic Range (WDR)
Removable IR Cut Filter
Pattern, Tour and Autopan Function

240 Presets
Dynamic Window Blanking
RS-485/RS-422 Interface
8 Alarm Inputs/4 Outputs
Programmable Alarm Action with Priority Levels
Supply Voltage: 18 to 30VAC, 50/60Hz

Specifications

Imager	1/4" 758 (H) x 592 (V) pixels (Progressive Scan)
Sensitivity	3.0Lux at F1.6 (1.7Lux at F1.2); 0.2Lux at 1/3sec. shutter speed; 0.02Lux at 1/3sec. shutter speed and IR cut filter removed
Horizontal resolution	480 TV Lines
Addresses	Up to 999 Dome ID's
Dynamic range (WDR)	60db
Speed range at manual control (pan)	0.5° to 90°/sec., Turbo: 380°/sec. (Proportional to the zoom position)
Speed range at manual control (tilt)	0.5° to 90°/sec. (Proportional to the zoom position)
Preset speed	Up to 380°/sec. pan
Rotation range	360° (endless)
Vertical tilt range	-4° ~ +90°
Preset positioning	240 presets with 16-character labels each. 0.75sec. max. preset recall time
Backlash	0.2°
Patterns	4 patterns: 1x up to 240sec., or 3x up to 240sec. in total

(Specifications continued)

Tours	Up to 8 User programmable guard tours with vector scan. Consisting of 42 presets and other functions with individual dwell time (3 to 99sec.). Selectable fast or slow vector scan
Autoscan	8 User programmable auto scans with selectable fast or slow vector scan, 9 selectable speeds
Proportional pan and tilt	Continually decreases pan and tilt speeds in proportion to depth of zoom
Auto flip function	Rotates dome 180° at bottom of tilt travel
Programmable park position	Included
Window blanking	8 dynamic window blanking zones with user-defined four-sided shapes and up to 16-character labels each
Zones	16 each with programmable text labels
In/outdoor use	Indoor/outdoor camera preferences
IR cut filter	Automatic operation, ON/OFF switchable
Digital signal processing (DSP)	Yes (DSP-3R)
Signal-to-noise ratio	50db
Automatic gain control (AGC)	Automatic (ON/OFF switchable)
Shutter speed (AES/MES)	Automatic/manual: 1/1.5 to 1/30,000sec. (PAL)
Shutter modes	High and Low Speed shutter
Synchronization	Internal/AC line lock, phase adjustment via remote control
White balance	Modes: Manual, Automatic, Indoor, Outdoor, ATW
Video output	1Vp-p, CVBS, 75ohms, BNC
Zoom range	F1.6/3.6~82.8mm (23 optical, 10x digital zoom)
Horizontal angle of view	54° (Wide); 2.5° (Tele end)
Iris control	Automatic (with manual override)
Focus control	Automatic with manual override
Minimum object distance (MOD)	0.3m
Menu driven set-up	ON/OFF switchable
Text display	16-character labels
Menu languages	English, German, French, Spanish, Portuguese, Italian, Polish
Alarm processing	Programmable alarm action with selectable priority levels
Alarm inputs	8, selectable between NO and NC
Bubble	4.9" (125mm), clear acrylic plastic
Control interfaces	RS-422/RS-485, 9600Baud, 999 camera ID addresses selectable. Besides the keyboard control via the eneo EDC-KBD(M) series, the control via matrix switchers and keyboards from Pelco (D+P protocol), Ernitec, Philips G3, Sensormatic RS-422, (back channel via RS-422 is not activated), Vicon and Dynacolor is available
Keyboard control	Direct mode control with Eneo EDC-KBD(M) keyboard series, or in conjunction with the eneo Triplex Multiplexer series VBMT/VCMT-8000 and DVR series DLR(2) and DXR
Auxiliary outputs	4 relays with NO or NC contact, 24VDC/1A resistive
Remote control	Camera remote settings via keyboard
Operation protection	Available

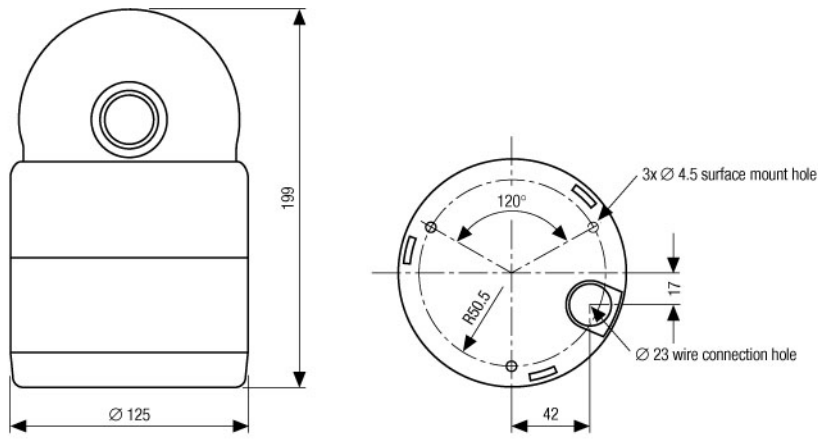
EDC-143E

(Specifications continued)

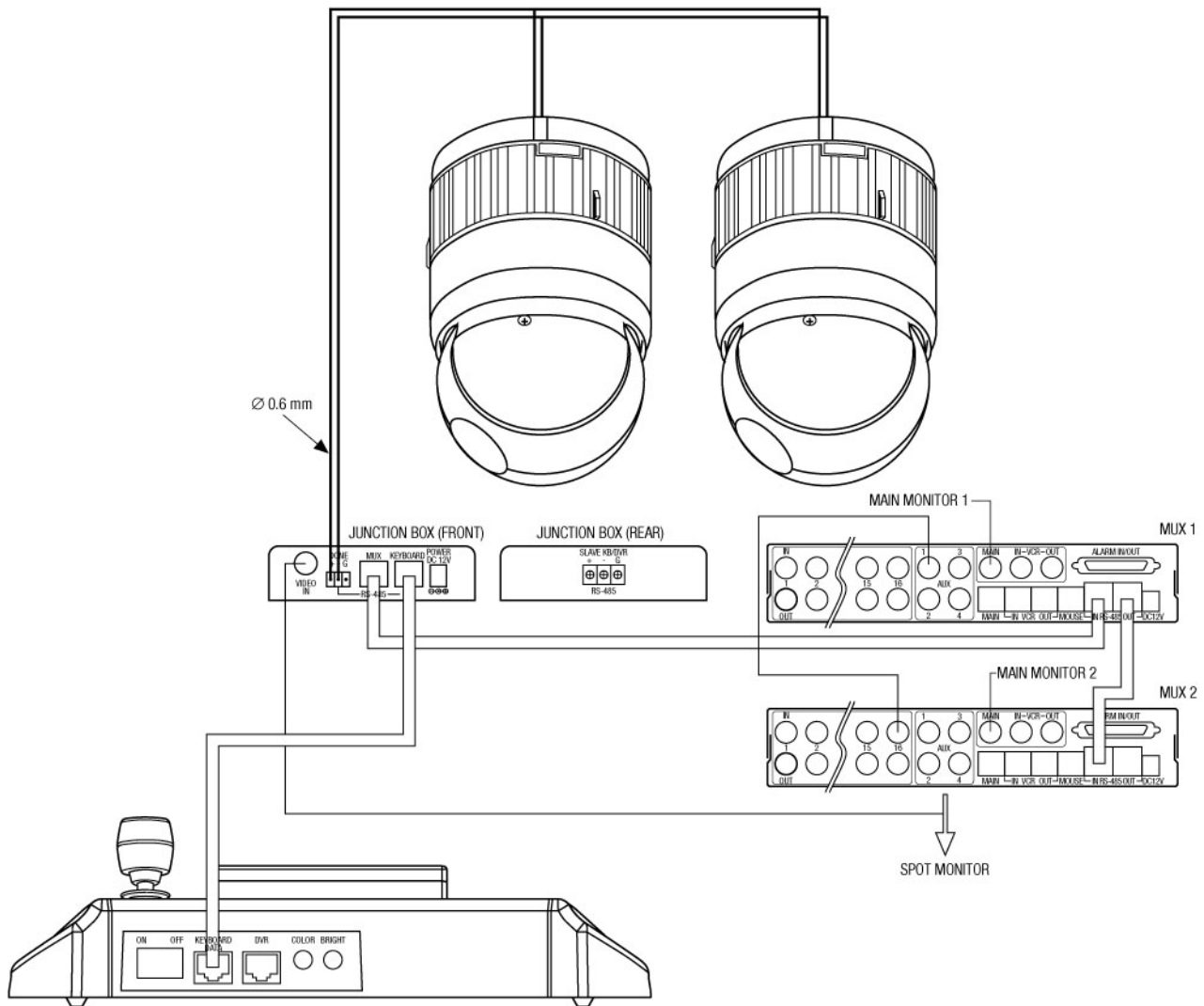
Backup	Non-volatile back box memory stores all camera and site-specific dome settings
Supply voltage	18 to 30VAC (24VAC nominal), 50/60Hz
Power consumption	Approx. 20watts
Temperature range	0°C to +50°C
Protection rating	IP40
Housing	Black plastic for indoor drop-ceiling mount
Dimensions (HxWxD)	See drawing
Weight	1.5kg

Accessories

74057 / EDC-IDF	Flush Mount Dome Housing, Smoked Bubble 4.9"
74078 / EDC-OPS-1/24V	Pendant Mount Outdoor Dome Housing Tinted Bubble 6.8", 24VAC
74077 / EDC-IPC-1/24V	Pendant Mount Indoor Dome Housing Clear Bubble 6.8", 24VAC
74076 / EDC-OPC-1/24V	Pendant Mount Outdoor Dome Housing Clear Bubble 6.8", 24VAC
74075 / EDC-IPS-1/24V	Pendant Mount Indoor Dome Housing Tinted Bubble 6.8", 24VAC
74082 / EDC-IPC-1/230V	Pendant Mount Indoor Dome Housing Clear Bubble 6.8", 230VAC
74083 / EDC-IPS-1/230V	Pendant Mount Indoor Dome Housing Tinted Bubble 6.8", 230VAC
74084 / EDC-OPC-1/230V	Pendant Mount Outdoor Dome Housing Clear Bubble 6.8", 230VAC
74085 / EDC-OPS-1/230V	Pendant Mount Outdoor Dome Housing Tinted Bubble 6.8", 230VAC
75201 / MTC-1	Matrix, Multiplexer and Telemetry Keyboard with Joystick, RS-485 Control
74088 / EDC-KBD1	System Keyboard with 3-axis Joystick, 12VDC/230VAC
74089 / EDC-CR1	Converter RS-232/RS-485, Repeater RS-485
74092 / EDC-KBDM-3	System Keyboard w. Joystick, 5" Monitor 12VDC/230VAC
70449 / NE-128	Voltage supply unit 230V/24VAC-5A, IP66
74094 / EDC-COAX	Coax Telemetry Board for VPT-41/42, EDC/EDMC Series. assembled



Maße/Dimensions: mm



VIDEOR TECHNICAL E. Hartig GmbH
 Carl-Zeiss-Straße 8 · 63322 Rödermark · Germany
 Telefon +49 (0) 60 74/8 88-0 · Telefax +49 (0) 60 74/8 88-100
 info@videortechnical.com · www.videortechnical.com

