

CM-22

SKU: 235562



Corner mounting adapter for wall bracket WB-24 and PTZ dome camera INP-75A0033MIA

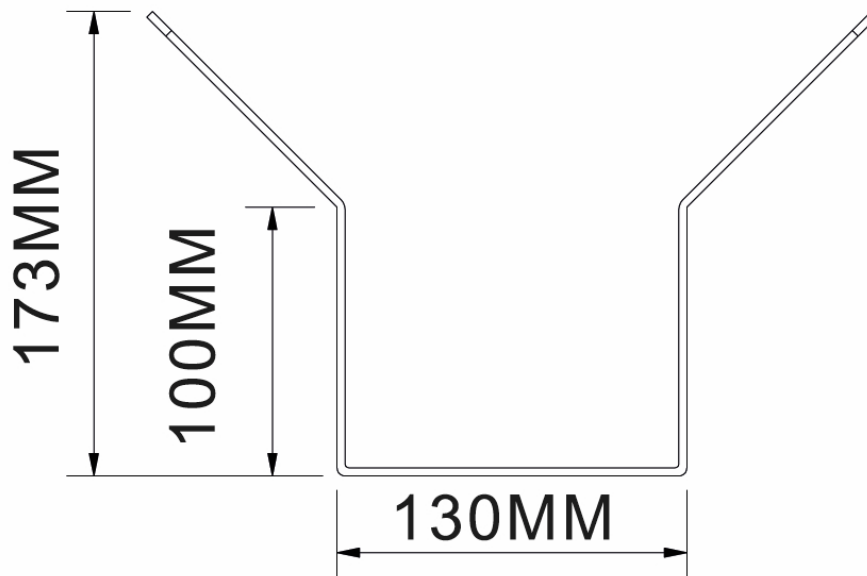
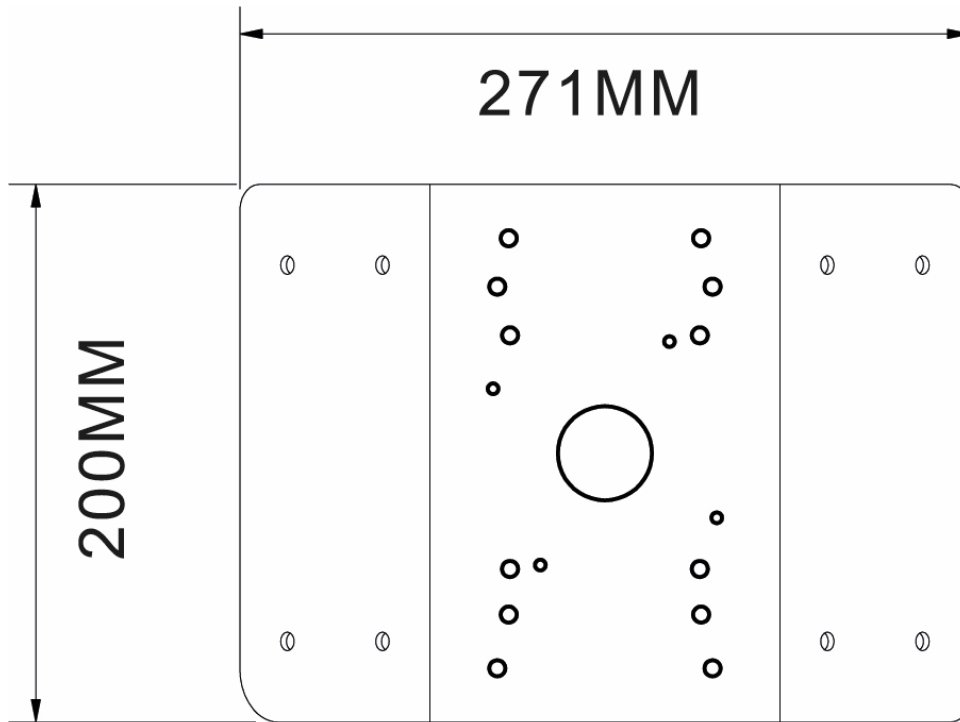
Main Features

Specifications

Other	
Dimensions (HxWxD)	see drawing
Parts supplied	mounting accessories
Series	eneo IN-Series
Housing	aluminium
Protection rating	IP64
Weight	2.4kg
Farbe	Pantone P 179-1, RAL9003
Gehäuse	aluminium
Manufacturer order number	235562

CM-22

Technical Drawing



Maße / Dimensions: mm



eneo is a registered trademark of
VIDEOR E. Hartig GmbH
Carl-Zeiss-Straße 8

63322 Rödermark, Deutschland

Phone: +49 6074 - 888 - 300
Fax: +49 6074 - 888 - 100
E-Mail: info@eneo-security.com
Web: www.eneo-security.com

Stay informed and subscribe
to the eneo newsletter

