

Video Security



ALMIRA C-1202

1/2" CMOS 3M Px. Camera 2048x1536, 360°
Display, for HighSpeed Recording

Art-No. 71702



Features

Ultra Wide Angle CCTV Camera / 360° Panoramic View
4 virtual Cameras (VCAMs) with ePTZ Functionality
Resolution of >600TVL / Frame Rate: >12 Frames/sec
3x Optical Zoom (Sensor Zoom) and 5x Digital Zoom
Lens: F1.8/1.8mm
Frame Integration / Freeze Frame

128 Presets / 4 Tours with 64 Presets each
4 Alarm Inputs / 1 Output / 75 Privacy Zones
Motion Detection / Motion Tracking
2 Independent Multi-view Configur. Analog Outputs
Display Format: 2x180°, 360°, 4x90°, Quad, etc.
Picture Recording on Almira R-01

Specifications

Imager	1/2" 3 Mega pixel (2048 x 1536), CMOS sensor
Processor	Imtera® Visual 3D processor unit
Horizontal resolution	>600 TV Lines
Sensitivity	2 ~ 5Lux at colour depending on what setting is made for the night mode threshold. 0,2Lux at b&w
Synchronization	Internal
Display	2x 180° panorama, 1x 360° + 2x virtual PTZ camera sectors (VCam), 1x full screen VCam, 2x full screens VCam, 1x 360° fisheye + thumb nail options, VCam quad split. All per output. Installer customisable display options.
Shutter modes	5 Modes selectable: Dark, Normal, Bright, Daylight and Auto
Low speed shutter (DSS)	Included
Day / Night Switching	Automatic or manual
White balance	ON/OFF switchable
Gamma correction	21 steps, user selectable via OSD
Recording	HigSpeed recording on DVR ALMIRA R-01
Frame rate	>12 Fr./sec.

(Specifications continued)

Over-/ under scan function	11 steps, user selectable via OSD
Privacy Zones	75 zones accurate to the pixel, zero lag
Auto flip function	Rotates VCam picture 180° at bottom of tilt travel
Rotation range	360° electronic pan, zero lag and no moving parts
Tilt range	170° electronic tilt, zero lag and no moving parts
Speed range at manual control (tilt)	270°/sec.
Speed range at manual control (pan)	270°/sec.
Proportional pan and tilt	Continually decreases pan and tilt speeds in proportion to depth of zoom
Time/date display	Included
Freeze function	On preset tour or manual
Backlight compensation (BLC)	Automatic
Automatic gain control (AGC)	Included
Preset positioning	128 presets with 20-character labels each
Programmable park position	Included, selectable per VCam tour, pattern and preset
Patterns	4 patterns x3min. each
Tours	Up to 4x 64 presets
Motion Detection Function	75 areas, each with selectable sensitivity
Activity controlled processing	ON/OFF, Auto zoom on motion to 25, 50, 75 or 100% screen size
Menu driven set-up	ON/OFF switchable
Menu languages	English, German
Text display	20-character labels
Lens	F1.8/1.8mm, f-theta type with 185° FoV
Iris control	-
Lens mount	C
Zoom range	3x equivalent to optical (sensor zoom)
Digital Zoom	5x
Adresses	Up to 100 ID's. Via menu each composite output is addressible
Control interfaces	RS-485, Protocol: eneo Fastrax E and Pelco D (auto selection)
Keyboard control	With keyboard series: eneo EDC-KBD(M) or Pelco KBD300A
Remote control	Camera remote settings via keyboard
Operation protection	Password protected, 4x numeric code
Alarm inputs	4 inputs NO/NC, selectable
Alarm output	1 NO/NC contact
Video output	2x independent outputs 1Vp-p, CVBS, 75ohms, BNC
Supply voltage	11.5 ~ 16VDC (12VDC nominal)
Power consumption	Approx. 20watts
Dimensions (HxWxD)	See drawing
Temperature range	0°C ~ +40°C
Housing	Metal/Plastic
Weight	1.5kg

ALMIRA C-1202

(Specifications continued)

Parts supplied

Metal camera bracket, Lens trim ring, Installer/User manual, Quick installation guide, Screw set

Options

Lens shroud, Hard ceiling mount and multipurpose brackets

Accessories

73743 / KBD300A

System Keyboard with Joystick for Pelco Matrix Switchers CM6700/6800 and Esprit

73844 / FW7362/12

Plugable AC/DC Adapter 100-240V/12VDC-2.5A, Regulated

71703 / ALMIRA R-01

Digital Video Recorder, 400GB, for eneo Almira 360° Camera Series

71706 / ALMIRA WDMK

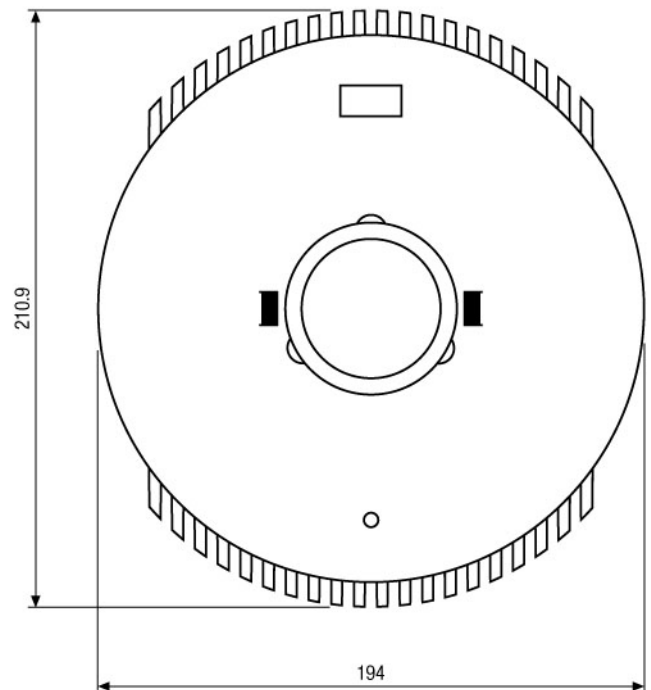
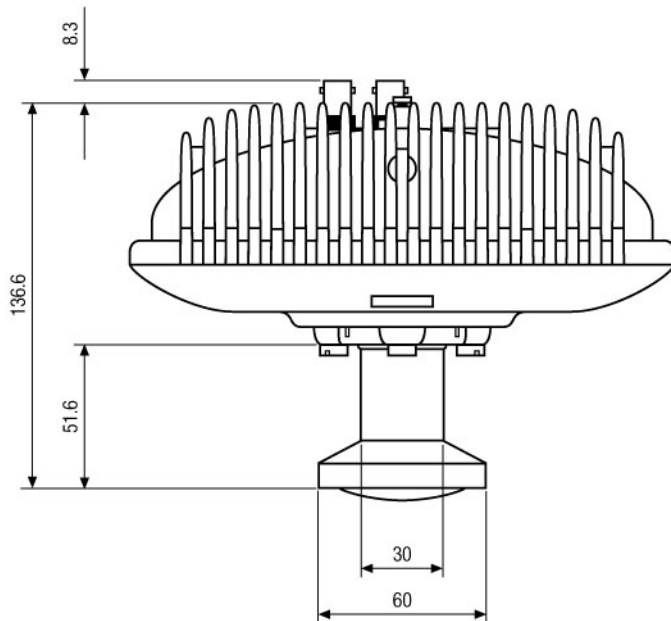
Wall/Ceiling Mount Kit for eneo Almira Camera Series

71704 / ALMIRA LS1

Lens Shroud for eneo Almira Camera Series

74092 / EDC-KBDM-3

System Keyboard w. Joystick, 5" Monitor 12VDC/230VAC



Maße/Dimensions: mm

VIDEOR TECHNICAL E. Hartig GmbH
Carl-Zeiss-Straße 8 · 63322 Rödermark · Germany
Telefon +49 (0) 60 74/8 88-0 · Telefax +49 (0) 60 74/8 88-100
info@videortechnical.com · www.videortechnical.com

