

GSM/GPRS Universal Wireless Alarm Communicator **GS3105**



Features That Make a Difference:

- GSM Quad-Band
- Simulates land line
- Switches to GSM Network in the event of land line trouble (line down)
- 3 PGM outputs to indicate the PSTN/GSM/GPRS fault
- 8 telephone numbers for the Telephone dialers
- Supports Contact ID format from a connected panel, for communication over the GPRS network to the Sur-Gard® System I/II/III
- 4 phone numbers for Contact ID Dialer on GPRS
- Up to 100 telephone numbers for the remote activation of the outputs through caller identification (zero charges)
- Remote activation of the outputs through SMS transmission
- Program max 100 telephone numbers to have access to the device (White List) to trigger the onboard outputs and block all others (Black List)
- Credit balance check for pre-paid SIM Cards
- Monitoring of communication service when used in conjunction with a VoIP service (PTM)
- PC-programmable options
- ATS level 2 Grade 2 communicator

Communicating... Simply...Anywhere!

The GS3105 is a GSM interface and a standalone device capable of generating voice dialer messages and SMS event notifications. Its onboard outputs can be triggered remotely via telephone to activate external equipment or indicators. The GS3105 simulates the PSTN line and decodes Contact ID format, so it is virtually "invisible" to the control panel it is connected to.

Simple to install and program (plug and play approach), the GS3105 is equipped with a quad band GSM/GPRS radio and remote antenna with magnetic base. Its extremely small size and low current draw allows for installation inside the control panel's cabinet and does not require an additional battery.

The GS3105 is the best solution for reliable GSM alarm communication back up for the majority of applications, whether new or existing system upgrades.

Supervised Communications

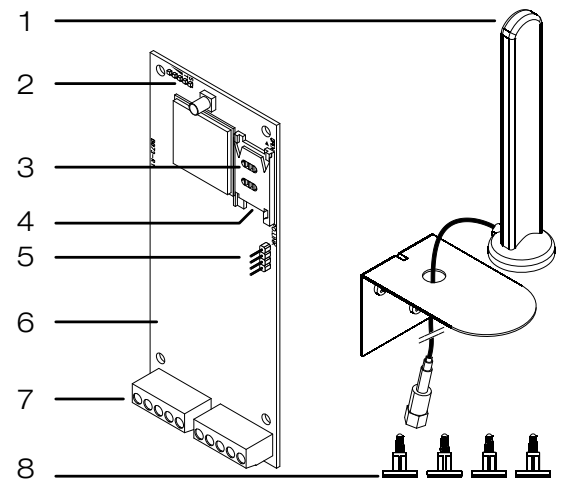
Using the GPRS network, the GS3105 is continuously supervised by the central station.

In case of unit tamper, GPRS fault or loss of communication with the central station, the operator receives a tamper signal in real time to identify the required action.

TERMINAL DESCRIPTION			
+V	Power Supply positive: 9.6 to 27.6 Vdc		This terminal must be connected to the Mains Earth
	Negative	LE	These terminals must be connected to the land line
T1 T2 T3	These terminals can be programmed as: Open collector outputs; input lines	LI	These terminals must be connected to the control panel

PART IDENTIFICATION			
1	GSM antenna with magnetic base and 25 cm cable	6	GSM Module
2	Status LED's	7	Terminal Blocks
3	SIM holder	8	Adhesive plastic support
4	SIM-Card (not provided)	9	Metal base
5	connector for power series remote programming	10	Cover

GS3105-K



Specifications

Input Voltage 10 to 27.6 Vdc
 Standby current..... 100 mA max. (outputs excluded) at 13.8 Vdc
 Maximum alarm (Transmitting) current 200 mA average
 (outputs excluded) at 13.8 Vdc
 Outputs 3 open collector, 100 mA
 Operating Frequency 900/1800 Mhz or 850/1900 Mhz
 Max. loop resistance of line between
 the device connected in series on LI 1 Kohm
 Maximum number of parallel devices connected on LI 2
 Operating temperature 5 to 40° C / 41 to 104° F
 Dimensions (PCB only) 60.5 (W) x142 (H) mm
 Weight (PCB only) 66 g

Ordering information

GS3105-K	Kit, including GSM/GPRS communicator, antenna with 25 cm wire, metal bracket and PC-Link cable
----------	--