

# ELECTRIC LOCKS STRIKES & DEADBOLTS

## ACCESS CONTROL



### STRIKES AND BOLTS TO HELP YOU FEEL SAFE

#### Electric Deadbolts

- Provide superior security and safety with fail-safe operation
- Operate on 12-volt DC power
- 5/8 inch stainless steel bolt with 5/8 inch throw

#### Electric Strikes

- Suitable for most cylindrical door locks
- Easily retrofit into most door or gate frames
- Operate on 12-volt DC power
- Door strikes are available in both fail-safe and fail-secure models
- 5 year limited warranty

SELF-STORAGE • APARTMENT COMPLEX/GATED COMMUNITIES •  
RESIDENTIAL • APARTMENT/COLLEGE RESIDENTS HALLS • MIXED  
USE BUILDINGS • COMMERCIAL/INDUSTRIAL & MAXIMUM SECURITY



#### Electric Strikes

provide economical performance and safety for most doors



#### Fail-safe

to insure fire exit paths are unlocked during power outages



#### Automatic Re-lock

adjustable from 0-5 seconds (deadbolts only)



#### Deadbolts

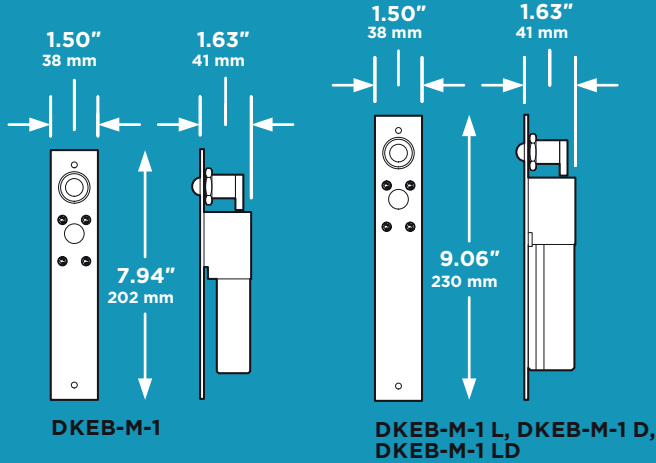
stainless steel bolt 5/8" diameter (16mm) with 5/8" throw

ACCESS CONTROL SOLUTIONS

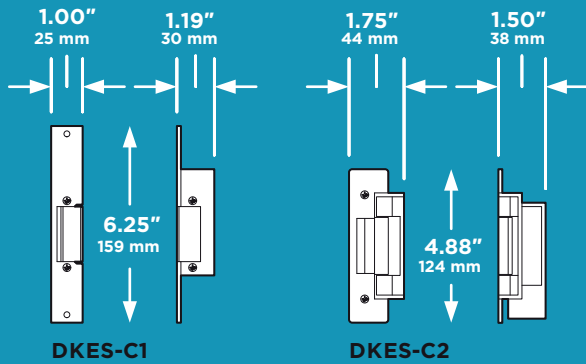


# ELECTRIC LOCKS STRIKES & DEADBOLTS

## ACCESS CONTROL



### Deadbolts



### Strikes

	DKEB-M	DKES-C1	DKES-C2
<b>TYPE</b>	Deadbolt	Strike	Strike
<b>MOUNTING</b>	Mortise	Mortise	Mortise
<b>RELEASE</b>	Fail-safe	Fail-safe or Fail-secure	Fail-safe or Fail-secure
<b>VOLTAGE</b>	12 VDC	12 VDC	12 VDC
<b>TYPICAL USE</b>	Single Doors	Single Doors	Single Doors
<b>BOLT / KEEPER</b>	5/8 inch 15.8 mm	11/32 inch 8.7 mm inch	20/32 inch 15.8 mm

## TECHNICAL FEATURES

### MECHANICAL

Mounting: mortise

Styles: single doors only

#### Deadbolts

Models \*

- dkeb-M-1, standard deadbolt
- dkeb-M-1L, with lock sensor
- dkeb-M-1D, with door sensor
- dkeb-M-1LD, with lock and door sensor

Advanced Features: Designed with built-in reverse polarity protection

#### Strikes

Models \*

- dkes-C1-1FX, fail-secure 11/32 keeper
- dkes-C1-1FS, fail-safe 11/32 keeper
- dkes-C2-1FX, fail-secure 20/32 keeper
- dkes-C2-1FS, fail-safe 20/32 keeper

Advanced Features: Suitable for cylindrical locks with 11/32" (8.7mm) keeper (C1 series) or 20/32" (15.8mm) keeper (C2 series)

\* designed for indoor use only

## SPECIFICATIONS

#### Deadbolts

Power: Start: .9A @ 12 VDC

Standby: .3A @ 12 VDC

Switch Data

Lock Status Sensor (SPDT): 1.0A, 30VAC/VDC

Door Status Sensor (SPDT): .5A, 30VAC/VDC

Re-lock: adjustable from 0-5 seconds

#### Strikes

Power: .4A @ 12 VDC

Available as Fail-safe or Fail-secure

## MISCELLANEOUS

Shipping Weight .55 lbs (.25kgs) - 2.0 lbs (.9kgs)

## DoorKing® Inc.

Access Control Solutions since 1948



120 S. Glasgow Avenue,  
Inglewood, California 90301 U.S.A.  
Tel: 310-645-0023 FAX: 310-641-1586  
www.doorking.com

© 2021 All Rights Reserved.  
Product specifications may  
change without notice. Rev. 5/21



#### MEMBER:



#### DISTRIBUTED BY:

