



1810/1810-AP SERIES TELEPHONE ENTRY SYSTEM

The built-in directory makes the 1810 suitable for a wide variety of applications and is easily updated

- Provides voice communication from the entry point between the guest and resident/tenant, who can then grant or deny them access from their touchtone phone
- Ideal for residential, multi-home, small gated community or apartment house applications
- Built-in lighted directory provides service for up to 600 residents
- 1810-AP is PC Programmable via the Internet, LAN, modem or direct connection to a PC
- 2 year limited factory warranty



Flush Mount
1810

Surface Mount
1810-AP



1810 Built-in Display
Indicates door/gate has been opened



Modular Design
makes installation and service easy



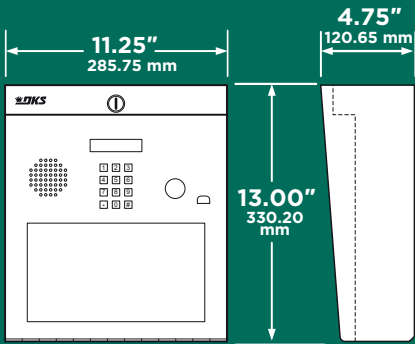
LED Lighted
directory display



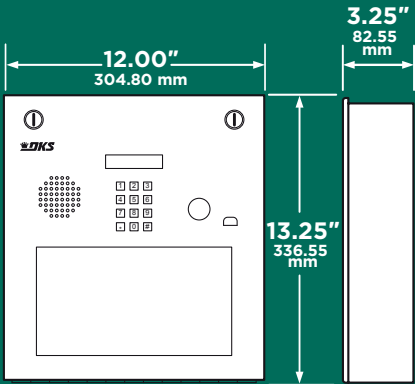
PC Programmable
Program the 1810 Access Plus from your PC



1810/1810-AP SERIES TELEPHONE ENTRY SYSTEM



**1810/1810-AP
Surface Mount**



**1810/1810-AP
Flush Mount**

MODEL	1810	1810-AP ⁷
PHONE NUMBERS	600	27
DIRECTORY ⁶	Built-in	Built-in
ENTRY CODES ¹	1000	0
DEVICE CODES ²	0	100
RELAY	2	2
AUXILIARY INPUTS ³	1	2
EXPANSION ⁴	No	6 Max
PC PROGRAMMING ⁵	No	Yes
TEMPORARY CODES	5	10
HOLIDAY SCHEDULE	No	Yes

1. Entry codes are four (4) digits only and are not the same as device codes. Entry codes grant access when entered on the entry system keypad (or secondary keypad) only.
2. Device codes refer to any five (5) digit RS-485 device used to access an entry point, such as cards, transmitters or PINs (Personal Identification Number). Five (5) digit device codes can also be used on the system keypad.
3. 1810 auxiliary input allows a switch closure to activate relay 2, or can be set to auto-dial a preprogrammed telephone number. 1810 AP uses a standard RS-485 data input.
4. Six (6) additional entry points can be controlled via RS-485 card readers, AVID tag readers, RF receivers or digital keypads.
5. AP Programming software available for free download at www.doorking.com/software.
6. Paper directory.
7. Access Plus model does not have any programming display. Directory can be printed from Access Plus programming software.

TECHNICAL FEATURES

MECHANICAL

- Stainless steel faceplate
- Galvanized steel sub-plate
- Metal keypad
- Offset speaker holes for protection
- Hands free voice operation (optional handset available on surface mount style only)

ELECTRICAL

- 16 VAC (power transformer included)
- Full duplex voice communication
- Hold open time zones (4)
- Two relays to control two entry points
- LCD display for programming assistance and shows 'open' when access is granted (Display not available on 1810-AP)

1810

- Stores up to 600 phone numbers
- Programmable directory codes (1 to 4 digits)
- 16-digit dialing
- Analog voice circuit
- DTMF tone output allows for use with PBX, KSU, and auto-attendant type phone systems
- Built-in clock - has its own backup power source
- Entry code time zones
- Flash entry codes (8)
- Time zone restrictions on selected entry codes
- Special input can be programmed for relay activation or dial-out function

1810-AP

- Up to 27 resident / tenant phone numbers – plus 23 additional with 1816-AP intercom expansion
- IP addressable – program from your PC via direct connection, LAN or an internet connection or via built-in modem
- Intuitive, easy to use, Windows based programming DKS Access Plus software available at doorking.com/software
- Relay board available which allows use of existing 26-bit wiegand devices
- Holiday schedule, schedule un-lock / lock times
- Email notifications, live relay control from your PC
- HD digital voice circuit
- Add up to six (6) additional (RS-485) card readers, keypads or proxy RF devices
- 100 device codes (card, keypad, transmitter)
- 500 event history buffer
- 10 temporary access codes with start and end dates
- Built-in lighted directory for 27 names, easily printed with Access Plus software
- 20-digit dialing, 2-digit directory codes
- Answer machine bypass feature
- Up to 30 holidays can be added to access and hold open time zones
- Control access points from your PC. Schedule lock and unlock times, lock or unlock an access point with the click of a mouse

MISCELLANEOUS

- Environmental: 10°F to 145°F (-12°C to 62°C)
- Camera Ready: Optional CCTV camera*
- *may require additional CCTV equipment
- Optional heater kit available for colder climates
- Shipping weight approximately 20-25 Lbs (9-11.3 kg)



FCC (US) DUF6VT-12874-OT-T
DOC (CAN) 1736 4528 A

DoorKing®, Inc.

Access Control Solutions since 1948



120 S. Glasgow Avenue,
Inglewood, California 90301 U.S.A.
Tel: 310-645-0023 FAX: 310-641-1586
www.doorking.com

© 2021 All Rights Reserved.
Product specifications may
change without notice. Rev. 3/21



MEMBER:



DISTRIBUTED BY:

