

INTERIOR & GATE ACCESS DEVICES

ACCESS CONTROL



Exit Buttons

Key Switch

Control Stations



3-button
Interior/Exterior



3-button
Interior



Manual Control
Interior



3-button
Interior/Exterior

Gate Control Stations

CONTROL STATIONS PROVIDE MANUAL CONTROL FOR A SINGLE DOOR OR SINGLE GATE CONTROL REQUIREMENTS

CONTROL STATIONS - INTERIOR

- Controls mount into a single-gang electrical box (except 1211-081)
- 1211-081 exit button is mullion mounted
- Stainless steel faceplates
- Key switch uses mortise cylinder that can be re-keyed

CONTROL STATIONS - DOOR/GATE

- Open - Close - Stop indoor and outdoor control Stations
- Manual gate controller provides normal, momentary open or hold open operation

RESIDENTIAL • APARTMENT COMPLEX/GATED COMMUNITIES • APARTMENT/ COLLEGE RESIDENTS HALLS • MIXED USE BUILDINGS • COMMERCIAL/ INDUSTRIAL • MAXIMUM SECURITY • SELF-STORAGE • PARKING



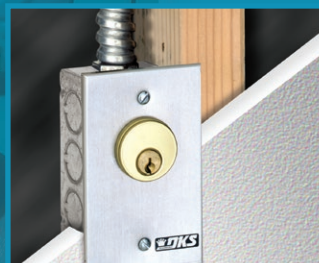
Mounts Anywhere

1211-016 3 button gate controller is weather resistant for exterior mounting



Slim Design

allows the 1211-081 exit button to be mounted into the door jam



Construction

ready for easy wall installation



Manual Control

for easy access at guarded entries



INTERIOR & GATE ACCESS DEVICES

ACCESS CONTROL

TECHNICAL FEATURES

INTERIOR CONTROL STATIONS

Models

1211-080 exit button

- Provides a release device for doors secured with a magnetic lock or electric strike
- Lighted Exit push buttons
- Requires 12-VDC power to illuminate exit button.
- Stainless steel faceplate

1211-081 exit button

- Stainless steel faceplate
- Requires 12-VDC power to illuminate exit button
- Indoor use only

1206-080 mortise cylinder keyswitch

- Momentary contact
- Mortise cylinder can be re-keyed to match existing locks
- N.O. or N.C. operation
- Indoor use only

Features All interior control are designed to mount into a single-gang electrical box except the model 1211-081 exit button, which is designed for mullion mounting. All interior controls are designed to control a single door/gate only
Operating Temperature: -10°F to 145°F (-23°C to 62°C)

DOOR/GATE OPERATOR CONTROL STATIONS

Models

1200-006 3-button¹

- Ideal for exterior applications, interior too
- Can be surface or post mounted
- OPEN - CLOSE - STOP control
- Operates with DKS models 6050, 6100 and 6300 only

1200-007 3-button interior¹

- Provides manual control of automated vehicular gates, interior use only
- OPEN - CLOSE - STOP control
- Operates with DKS models 6050, 6100 and 6300 only

1200-016 3-button²

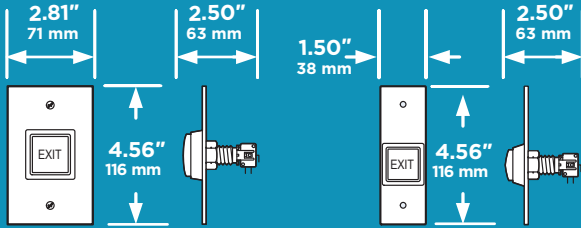
- Ideal for exterior applications, interior too
- Can be surface mounted
- NC Stop circuit
- OPEN - CLOSE - STOP control
- Can be used with most door and gate operators

1200-017 gate control toggle

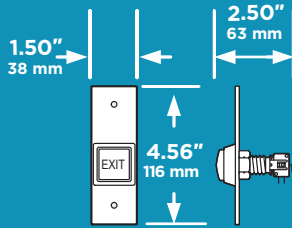
- 3-position control switch for automated vehicular gates, interior use only
- Center position is neutral for normal operation
- Down position is momentary contact to open a gate
- Up position is toggled to hold a gate open
- Can be used with most gate operators

1. Can only be used with DKS models 6050, 6100, 6300.
2. Do not use with DKS 6060, 6100 or 6300 model operators.

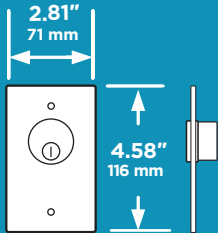
Features All interior controls are designed to mount into a single-gang electrical box. (1211-081 is mullion mount)
Designed to control a single gate only.
Operating Temperature: -10°F to 145°F (-23°C to 62°C)



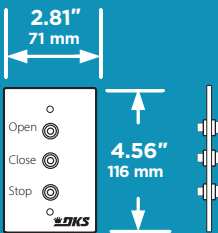
1211-080
Exit Button



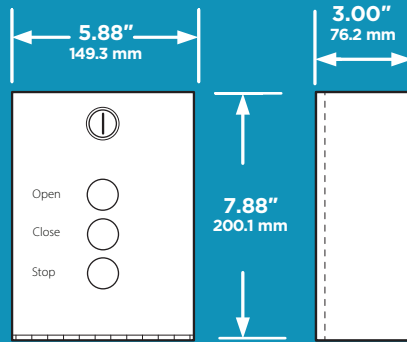
1211-081
Exit Button



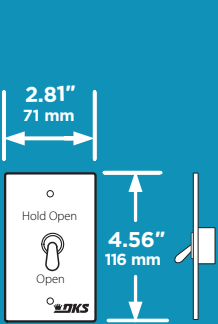
1206
Key Switch



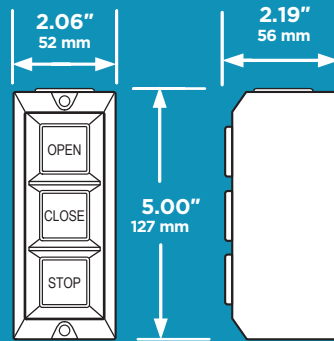
1200-007
3-Button Interior



1200-006
3-Button Interior/Exterior



1200-017
Manual Control Interior



1200-016
3-Button Interior/Exterior

DoorKing®, Inc.

Access Control Solutions since 1948



120 S. Glasgow Avenue,
Inglewood, California 90301 U.S.A.
Tel: 310-645-0023 FAX: 310-641-1586
www.doorking.com

© 2022 All Rights Reserved.
Product specifications may
change without notice. Rev. 2/22



MEMBER:



DISTRIBUTED BY:

