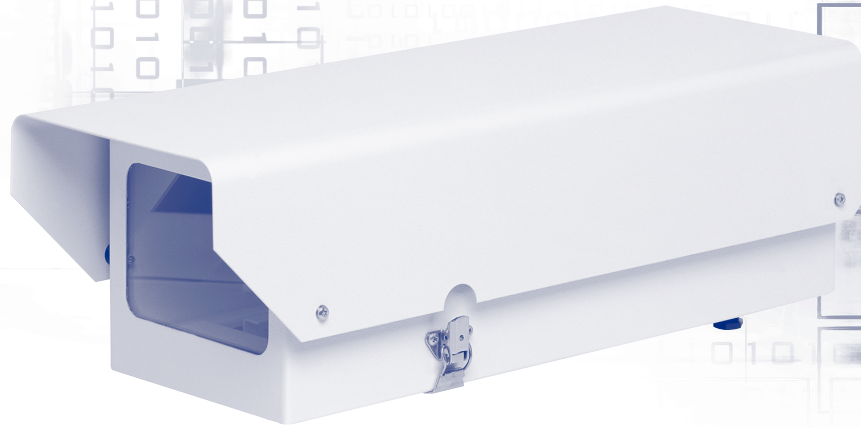


# Type 515/516/517 Camera Housing



The type 515, 516, 517 range of environmental camera housings are designed to accommodate a wide range of camera / lens combinations and to provide protection to BS.EN 60529 Level IP 65 (no water ingress). Insulated camera platforms with longitudinal adjustment are supplied as standard, plus window heater, thermostat, three cable glands and full sunshield. Self parking wipers, 5 and 25 Litre washers are available and can be retro-fitted.

The housings are constructed from aluminium alloy, powder coated and stoved with stainless steel fittings. Deep base versions are offered to allow telemetry receivers, relay interface units or cable termination trays to be fitted under the camera.

The ventilated sunshield option has a fan fitted to the sunshield and allows the camera housing to be kept at a constant 1.5 / 2°C below the ambient air temperature.

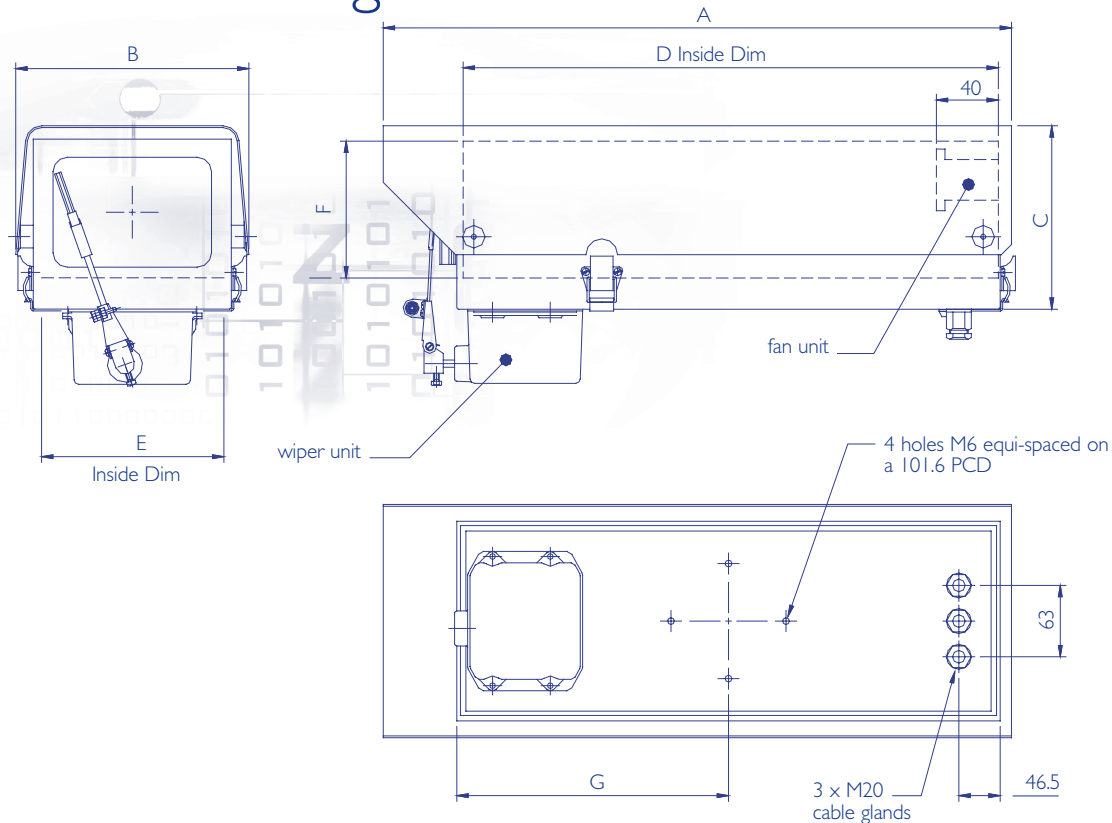
## benefits

- A RANGE OF BUILD OPTIONS AVAILABLE
- CONSTRUCTED FROM ALUMINIUM ALLOY SHEET
- POWDER COATED AND STOVED
- WEATHERPROOF TO BS.EN 60529 LEVEL IP65 (NO WATER INGRESS)
- WINDOW HEATER AND THERMOSTAT
- HORIZONTALLY ADJUSTABLE INSULATED CAMERA PLATFORM
- AVAILABLE VOLTAGES - 230V, 110V, 24V, 12V

## build options

- /W = WIPER
- /WW = WINDOW WASH
- /L = VANDAL PROOF SECURITY LOCKS
- /F = INTERNAL CIRCULATION FAN
- /DB = DEEP BASE
- /VS = VENTILATED SUNSHIELD

# Type 515/516/517 Camera Housing



All Dimensions in millimetres

## Specification

### MATERIAL

- Aluminium alloy

### FINISH

- Powder coated and stoved

### WEIGHT

515	516	517
• 3.6kg	• 4.5kg	• 6.3kg

### WEIGHT WITH WIPER

515	516	517
• 4.5kg	• 5.4kg	• 7.2kg

### HEATER VOLTAGES

- 24V, 110V or 230Va.c.

### POWER CONSUMPTION

- 75W

### POWER CONSUMPTION WITH WIPER

- 81W

### DIMENSION A

515	516	517
• 555	• 605	• 700

### DIMENSION B

515	516	517
• 205	• 235	• 270

### DIMENSION C

515	516	517
• 162	• 192	• 225

### DIMENSION D

515	516	517
• 440	• 485	• 560

### DIMENSION E

515	516	517
• 135	• 160	• 190

### DIMENSION F

515	516	517
• 125	• 155	• 183

### DIMENSION G

515	516	517
• 232	• 260	• 288

PLEASE CHECK THE WEBSITE FOR LATEST DEVELOPMENTS

FOR FURTHER INFORMATION PLEASE CONTACT

The manufacturer reserves the right to change the specification without notice.  
All trademarks are courtesy of registered owners.  
DM is a trademark of Dedicated Microcomputers Group Ltd.  
REF: DM01/05



**DEDICATED MICROS**  
www.dedicatedmicros.com

Doc 74 0190

#### Dedicated Micros UK

11 Oak Street, Swinton, Manchester, M27 4FL, UK Tel: +44 (0) 161 727 3200 Fax: +44 (0) 161 727 3300.

#### Dennard UK

Tel: +44 (0)1252 614884 Fax: +44 (0)1252 626013 e-mail: sales@dennard-cctv.com

#### Dedicated Micros USA

14434 Albemarle Point Place, Suite 100, Chantilly, Virginia 20151 USA Freephone: 800 864 7539  
Tel: +1 703 904-7738 Fax: +1 703 904-7743 and 23456 Hawthorne Blvd. Suite 100, Torrance, CA 90505,  
Tel +1 310 791-8666 Fax: +1 310 791-9877.

#### Dedicated Micros Europe

Neckarstraße 15, 41836 Hückelhoven, Germany Tel: +49 243 352 580 Fax: +49 24 33 52 58 10  
e-mail: infobox@dmicros.com

#### Dedicated Micros Belgium

Joseph Chantraineplantsoen 1, 3070 Kortenberg, Belgium Tel: +32 2751 3480, Fax: +32 2751 3481  
e-mail: dmbenelux@dmicros.com

#### Dedicated Micros Ltd. Slovenia

Delavska cesta 26, 4208 Sencur-Slovenija Tel: +386 (4) 279 18 90, Fax: +386 (4) 279 18 91  
e-mail: dmslovenia@dmicros.com

#### Dedicated Micros France

9-13 rue du Moulinet, 75013 Paris, France Tel: +33 1 45 81 99 99, Fax: +33 1 45 81 99 89.  
e-mail: dmfrance@dmicros.com

#### Dedicated Micros Asia

16 New Industrial Road, #03-03 Hudson Techno Centre, Singapore 536204 Tel : +65 62858982 Fax : +65 62858646.

#### Dedicated Micros Australia

5/3 Packard Avenue, Castle Hill, NSW 2154, Australia Tel: +612 9634 4211 Fax: +612 9634 4811.

#### Dedicated Micros Malta

UB 2, San Gwann Ind. Est., San Gwann, Malta Tel: +356 21483 673 Fax: +356 21449 170.

#### Dedicated Micros Middle East

Building 12, Suite 302, P.O.Box 500291, Dubai Internet City, Dubai, United Arab Emirates  
Tel: +971 (4) 390 1015, Fax: +971 (4) 390 8655.