

Dennard



Description

Type 2020/300 and 2020/500

The type 2020 range of infra-red illuminators have been designed to offer a cost effective solution to night surveillance, with either 300W or 500W output in a stylish pressure die cast enclosure. These units provide a source of illumination for cameras with spectral response that extends into the infra-red region. To simplify operation and installation each illuminator is supplied with a built in 25 lux light detector unit. These light-weight weatherproof assemblies have protective coated toughened glass filters and choice of sealed beam bulb. Replacement bulbs can be fitted in seconds. Full installation and maintenance instructions are provided with each unit.

Features

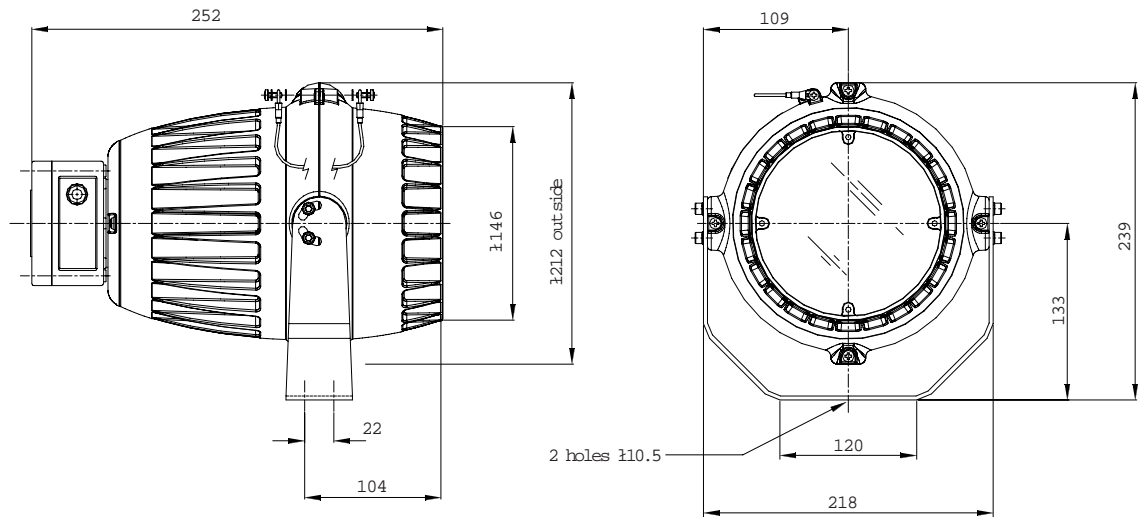
- 1 Optional stone guard. (order code /SG)
- 2 Optional 730nm dichroic filter, 715nm or 830nm dyed glass filter..
- 3 Bulb life: 2020/300-2000hrs, 2020/500-4000hrs
- 4 Mountings for infra-red illuminators are available on type 428 and type 642 brackets.
- 5 Available in a range of beam angles.
- 6 Built in 25 lux light detector on adjustable mounting.
- 7 Mains connection.
- 8 White light version available. (order code /WL)
- 9 Weatherproof to BS.EN 60529 Level IP 66.



DENNARD SUPPORT LINE +44 (0) 1252 614884

Fax: 01252 626013

All Dimensions in millimetres



Specifications

Type 2020/300

Lamp: 230 Volt 300 Watt Par 56
 Weight: 3kg
 Filters: Toughened glass 3mm thick.
 Transmission: Better than 90%

2020/300 N - (Spot) Beam - Horizontal 20°, Vertical 15°
 2020/300 M - (M. Flood) Beam - Horizontal 30°, Vertical 20°
 2020/300 W - (Wide) Beam - Horizontal 60°, Vertical 30°

Type 2020/500

Lamp: 230 Volt 500 Watt Par 56
 Weight: 3kg
 Filters: Toughened glass 3mm thick.
 Transmission: Better than 90%

2020/500 N - (Spot) Beam - Horizontal 11°, Vertical 9°
 2020/500 M - (M. Flood) Beam - Horizontal 39°, Vertical 23°

PEAK INCIDENT ILLUMINATION OF UNFILTERED BULBS (LUX)					
Distance (meters)	2020/300W	2020/300M	2020/300N	2020/500M	2020/500N
50	2	9	16	6	48
100	-	1.75	4	1.5	12
200	-	-	1	0.4	3



55 Fleet Road, Fleet, Hants, England. Tel: 01252 614884 Fax: 01252 626013
 Web Site Address: www.dennard-cctv.com

