

DIS-4/M SRS

SMAVIA Appliance for up to 4 Channels, 2x 3.5" HDD, 3RU Module



Up To 4 Channels

SeMSy® III Integration

Open Platform

SmartBackfill

The **appliance DIS-4/M SRS** has been designed as a compact 3RU slide-in module for highly available storage systems of larger video installations in **stadiums, shopping malls, casinos or convention centres**. In conjunction with the pre-installed VideoIP software **SMAVIA Recording Server**, this appliance is ideally suited for the **recording of up to 4 video channels in real-time**.

SeMSy® III Integration

The appliance is factory fitted with the license **SeMSy® Flat**. Thus, it is optimally equipped for the integration into the storage system of a **SeMSy® III video management system**. The appliance supports the complete SeMSy® III functional range including the convenient evaluation of the recordings on a **SeMSy® III Workstation**.

SMAVIA Viewing Client

The software **SMAVIA Viewing Client** allows for the independent and convenient evaluation of the recordings over the network. It can be run on workstations with Windows operating systems and is included in the **scope of delivery of the appliance with two access licenses**.

DMVC Server

The integrated **DMVC Server Software**¹⁾ permits the access with the mobile app **Dallmeier Mobile Video Center**, that is available for iOS or Android operating systems. The display of live images and playback of recordings follow a special procedure which is **independent of the recording settings** of the appliance.

Open Platform

The pre-installed software **SMAVIA Recording Server** is designed as an open platform. Together with the according licenses, **3rd-party IP cameras** can be recorded with **motion detection** and configured over the **ONVIF protocol**²⁾.

SmartBackfill

Dallmeier network cameras are equipped with a **RAM memory** that is used by the **EdgeStorage** function for storing the video stream in case of a network failure. When the network is restored, the **SmartBackfill** function ensures a fast transmission to the **SMAVIA recording system**. This stores the video stream with high speed and then continues the recording of the live stream seamlessly.

The **Appliance DIS-4/M SRS** is designed for installation and operation in the 19" **DIS Module Rack 700**. The voltage supply is provided by the redundant power supply units of the module rack. For service, the individual modules can be exchanged quickly and easily (hot-plug).

Features Hardware

- Performance hardware with **multi-core CPU**
- **SSD module** for operating system and application
- Suitable for the recording of up to 4 HD video channels
- Components matches for high storage speed
- Components optimized for **SMAVIA Recording Server**
- Compatible with **DIS Module Rack 700**
- Power supply over redundant PSUs of the module rack
- Highly efficient due to low power consumption

Features SMAVIA Recording Server

- Recording of up to **4 HD cameras** or **Panomera® Channels**
- License for the **recording of one channel** included
- License for **updating the SMAVIA software** for 24 months included
- License for **SEDOR® Camera Sabotage Protection** included
- License for **EdgeStorage & SmartBackfill** included
- License for **multicast recording and streaming** included
- **Recording of third-party IP cameras with motion detection** optional²⁾
- **Configuration of third-party IP cameras via ONVIF protocol** optional²⁾
- Evaluation with **SMAVIA** or **SeMSy® III** over the network (WAN/LAN)

Appliance	
006005	DIS-4/M SRS SMAVIA Appliance for the recording of up to 4 channels, license for one channel included, two licenses for the access with SMAVIA Viewing Client included, without HDDs

1) Optional license **PRemote-HD** (004762) required.
2) Please note the white paper **SMAVIA & 3rd Party IP Cameras**.

DIS-4/M SRS

SMAVIA Appliance for up to 4 Channels, 2x 3.5" HDD, 3RU Module

Included SMAVIA Recording Server Licenses

DLC - 1 Recording Channel

License for the use of one channel for the recording of HD cameras or Panomera® Channels

DLC - 2 Client Accesses

License for the simultaneous access of two SMAVIA Viewing Clients to a SMAVIA Recording Server (floating license)

DCP - Software Maintenance 24 Months

License for the update of the SMAVIA software for 24 months

DLC - SEDOR® Camera Sabotage Protection

Detection and reporting of covering, defocusing and twisting of cameras

DLC - EdgeStorage & SmartBackfill

License for the storage of video streams that have been buffered by Dallmeier IP cameras with EdgeStorage

DLC - SNMP

License for the integration into a central SNMP device management system

DLC - SeMSy® Flat

License for the integration into a SeMSy® III video management system

DLC - Multicast Streaming

License for the transmission of video streams via multicast

DLC - Multicast Recording

License for the recording of video streams of Dallmeier IP cameras using multicast transmission

DLC - Real-Time Recording

License for real-time recording for all IP channels (depending on the camera)

Optional SMAVIA Recording Server Licenses (Access)

003782

DLC - 1 Additional Client Access

License for the simultaneous access of a further SMAVIA Viewing Client on SMAVIA Recording Server (floating license)

Optional SMAVIA Recording Server Licenses (Channels)

006006

DLC - 1 Additional Recording Channel (DIS-4)

License for the use of one additional channel for the recording of HD cameras or Panomera® Channels

005755

DLC - 3rd Party Package for 1 Recording Channel

License for the use of one existing channel for the recording (permanent, contact triggered or with motion detection³⁾) of third-party network cameras

Optional SMAVIA Recording Server Licenses (General)

003801

DLC - PRemote-HD

License for the transmission of SD and HD video with low bandwidth, including a dedicated access license⁴⁾ and the function for bidirectional audio transmission (intercom) via LAN/WAN

003803

DLC - ViProxy

License for the connection of a physically separate network for IP cameras, including authorisation management. In conjunction with SeMSy® III multicast streaming can also be used.

Maintenance and Warranty

006152

DCP - Software Maintenance 12 Months (DIS-4)

License for the update of the SMAVIA software for further 12 months

006153

DCP - 36 Months Bring-in Hardware Warranty and Software Maintenance (DIS-4)

Extension of the bring-in warranty period (without HDDs) to 36 months in total, incl. license for the update of the SMAVIA software

006154

DCP - 48 Months Bring-in Hardware Warranty and Software Maintenance (DIS-4)

Extension of the bring-in warranty period (without HDDs) to 48 months in total, incl. license for the update of the SMAVIA software

006155

DCP - 60 Months Bring-in Hardware Warranty and Software Maintenance (DIS-4)

Extension of the bring-in warranty period (without HDDs) to 60 months in total, incl. license for the update of the SMAVIA software




3) Please note the white paper **SMAVIA & 3rd Party IP Cameras**.

4) The first PRemote client (master) is assigned active control over the PRemote stream; further PRemote clients (slaves) receive the stream passively.


DIS-4/M SRS

SMAVIA Appliance for up to 4 Channels, 2× 3.5" HDD, 3 RU Module

Options Hardware

000178		Mounting of a HDD Mounting of a HDD, incl. function, long-term-, and final test, acceptance and approval
006664		HDD 2000 GB, SATA, 3.5"
006158		HDD 4000 GB, SATA, 3.5"
006596		HDD 6000 GB, SATA, 3.5"
006632		HDD 8000 GB, SATA, 3.5"
006961		HDD 10000 GB, SATA, 3.5"
006962		HDD 12000 GB, SATA, 3.5"
002150		DIS Module Rack 700 Module rack (L 700 mm × 3 RU) for the installation of up to 10× DIS-2/4 modules (variant 700), power supply unit and fan included
002151		Cover Plate for DIS Module Rack Cover plate for unused slots of the DIS Module Rack

Option Network Contacts

005142		DLC - Ethernet I/O Interface for SMAVIA⁵⁾ License for the use of the software interface for the connection of Ethernet I/O interfaces
001739		Remote Ethernet I/O Interface Ethernet I/O Interface, 2× Ethernet, 6× contact, 6× relay (MOXA ioLogik E1214)

5) The current version supports the connection of the interfaces MOXA ioLogik E1210 (16 contacts) and MOXA ioLogik E1214 (6 contacts, 6 relays).

DIS-4/M SRS

SMAVIA Appliance for up to 4 Channels, 2× 3.5" HDD, 3RU Module

Components	
CPU	Multi-Core
RAM	4 GB
SSD module	8 GB (for operating system and application)
Hard disks	Up to 2× 3.5" HDD (optional)
Max. storage capacity	Currently up to 24 TB
Fan	Integrated in module rack (hardware 002150)
Power supply unit	Integrated in module rack (hardware 002150)

Interfaces	
Video OUT	1× DisplayPort, eDP 1.3, for configuration (not suitable for adapter)
USB	1× USB 3.0, type A
Ethernet 1	RJ45, 10/100/1000 Mbps
Ethernet 2	RJ45, 10/100/1000 Mbps (optional, license 003803)
Ethernet protocols	IPv4, TCP, UDP, ARP, ICMP, DHCP, NTP, HTTP
Contact IN	4×, with galvanic isolation, only for switch / push button (dry contact), with 4 functions each
Relay OUT	4×, with galvanic isolation, max. 12 V DC / 24 V AC / 0,5 A, 150 mOhm, as NC or NO

Electrical Data	
Voltage supply	12 V DC ±10%
Power consumption	Max. 30 W
Thermal output	Max. 102 BTU/h
Internal fuse F1	7 A, slow blow (time lag), LITTELFUSE INC Series 454 (main board)
Internal fuse F1	8 A, slow blow (time lag), SCHURTER S A S MKT / LITTELFUSE INC Series 454 (connection board)

Mechanical Data	
Dimensions (W × H × D)	Approx. 41 × 129 × 538 mm (1.6 × 5.1 × 21.2 inches)
Weight	Approx. 2.5 kg (5 lbs) with 2 HDDs

Ambient Data	
Temperature	+ 5°C up to +40°C (41°F – 104°F)
Recommended temperature	+20°C up to + 25°C (68°F – 77°F)
Humidity	5 – 70% RH, non-condensing
Atmospheric load	Dust-free

Approvals and Certifications	
Type	CE, UL, FCC, RCM, DIN EN 50130-4

DIS-4/M SRS

SMAVIA Appliance for up to 4 Channels, 2x 3.5" HDD, 3RU Module

Software	
Operating system	Linux (proprietary, hardened)
Application	SMAVIA Recording Server
Application language	English, German, French, Spanish, Italian (others on request)
External management software	SMAVIA Viewing Client, SeMSy® III Workstation Software DMVC App (optional, license for PRemote-HD 003801 required)
External configuration software	PService ⁶⁾

Performance in connection with DIS-4/M SRS	
Channels	Up to 4x IP channels (SD, HD, Megapixel)
Supported cameras	Dallmeier Panomera® multifocal sensor systems Dallmeier IP cameras over TCP/DaVid (Dallmeier video protocol) Third-party IP cameras with RTSP streaming over UDP/RTP or TCP ⁷⁾
Track mode	Automatic
Video/Audio compression	H.264 / G.722.1
Resolutions SD IP	QCIF (176 × 144), CIF (352 × 288), Half D1 (352 × 576), 2CIF (704 × 288), 4CIF (704 × 576), D1 (720 × 576)
Resolutions HD IP	720p (1280 × 720), SXGA (1280 × 960), 2 MP (1600 × 1200) 1080i (1920 × 1080), 1080p (1920 × 1080)
Resolutions megapixel	3 MP (2048 × 1536), 4 MP (2336 × 1744), 5 MP (2592 × 1944), up to 12 MP
Frame rate per channel	Up to 25/30 fps, depending on the camera
Bit rate per channel	Up to 16 Mbps, depending on the camera
Max. total bit rate	Up to 64 Mbps
Number of client access	Up to 4x simultaneous

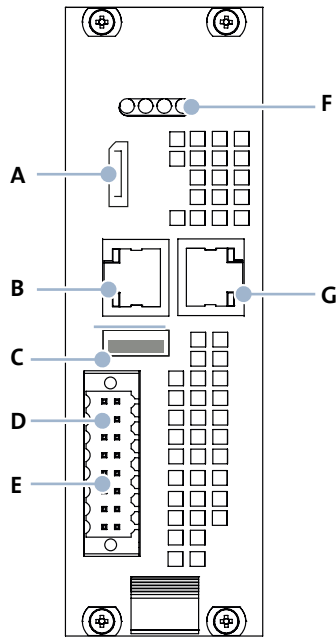
Recording ⁸⁾	3rd Party IP Camera	Dallmeier IP Camera
Transport protocol	RTP over UDP	TCP
Communications protocol	RTSP	DaVid
Recording control with timer	integrated	integrated
Recording mode Constant	integrated	integrated
Recording mode Contact	integrated	integrated
Recording mode Motion	integrated	integrated
Recording mode Motion/Contact	integrated	integrated
Switching mode by timer	--	integrated

Functions ⁸⁾	3rd Party IP Camera	Dallmeier IP Camera
Motion detection	integrated	integrated
SmartFinder	integrated	integrated
Appliance as video proxy	integrated	integrated
Appliance as multicast streamer	integrated	integrated
PRemote-HD	integrated	integrated
DMVC Server	integrated	integrated
PTZ control with SMAVIA Viewing Client	integrated	integrated
Audio recording	integrated ⁹⁾	integrated
Camera configuration	integrated	integrated
Locking the camera configuration	--	integrated
Recording of multicast video streams	--	integrated
EdgeStorage&SmartBackfill	--	integrated
Network scan (IP Finder)	--	integrated

6) A monitor with a minimum resolution of 1200x800 pixels is required for the configuration with PService/NetConfig 3.
7) Optional licenses required: **3rd Party Package** 004412 to 004418. Please note the white paper **SMAVIA & 3rd Party IP Cameras**.
8) Data refer to a fully equipped appliance. Optional licenses are required.
9) Depending on the camera. The audio stream has to be supplied in the G.711 format.

DIS-4/M SRS

SMAVIA Appliance for up to 4 Channels, 2x 3.5" HDD, 3RU Module



- A Video OUT Interface**
1x DisplayPort eDP 1.3, for configuration
- B Ethernet Interface 2**
RJ45, 10/100/1000 Mbps (optional)
- C USB Interface**
1x USB 3.0, type A
- D Contact IN (1-4)**
Weidmüller socket, 8 pins, only for switch/ push button (dry contact)
- E Relais OUT (1-4)**
Weidmüller socket, 8 pins, max. 12V DC/24V AC/0,5A, 150mOhm
- F Status LED (Power)**
Blue / The device is in operation.
- Status LED (Record)**
Green / The device is recording.
- Status LED (Alarm)**
Orange / The device is in alarm mode.
- Status LED (Error)**
Red / The device indicates an error.
- G Ethernet Interface 1**
RJ45, 10/100/1000 Mbps

