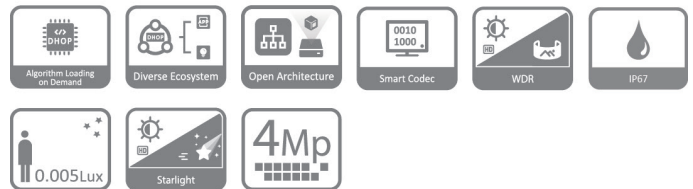


DH-SD5A445XA-HNR-1T

4MP 45x Starlight IR DHOP Network PTZ Camera




- 1/2.8" 4Megapixel STARVIS™ CMOS
- Powerful 45x optical zoom
- Starlight technology
- Max. 25/30 fps@4MP
- IR distance up to 150m
- PoE+
- IP67, IK10



System Overview

Featuring powerful optical zoom and accurate pan/tilt/zoom performance, this camera can provide large monitoring range and great detail. The camera has very excellent low light performance due to adopting the latest starlight technology. The camera is equipped with smooth control, high quality image and good protection, which make it can meet most of the requirements of video surveillance applications.

Dahua DHOP series network cameras adopt open application platform, allows 3rd party applications to be downloaded and installed on this series cameras. It provides end-users with the right solutions to optimize their security or IoT environment. Flexibility is also guaranteed as users can always remove existing applications and upload new solutions.

Functions

DHOP (Dahua Hardware Open Platform)

With open architecture, encapsulated hardware make it easier to develop and upgrade software this series cameras. It has a diverse ecosystem, various applications are available for the users to select the suitable solutions. Find more available applications here: <https://depp.dahuasecurity.com/OpenPlatform>.

Starlight Technology

For challenging low-light applications, Dahua's Starlight Ultra-low Light Technology offers best-in-class light sensitivity, capturing color details in low light down to 0.005 lux. The camera uses a set of optical features to balance light throughout the scene, resulting in clear images in dark environments.

PFA Technology

PFA technology has innovatively introduced new methods of judgment to ensure the accuracy and predictability of the direction of subject distance adjustment. The result is a set of advanced focusing algorithms. PFA ensures clarity of the image throughout the process of zooming and shortens focus time. The realization of PFA technology substantially improves user experience and increases product value.

Environmental

Dahua cameras operate in extreme temperature environments, rated for use in temperatures from -40 °C to +70 °C (-40 °F to +158 °F) with 95% humidity. Subjected to rigorous dust and water immersion tests and certified to the IP67 Ingress Protection rating makes it suitable for demanding outdoor applications.

Wide Dynamic Range

The camera achieves vivid images, even in the most intense contrast lighting conditions, using industry-leading wide dynamic range (WDR) technology. For applications with both bright and low lighting conditions that change quickly, True WDR (120 dB) optimizes both the bright and dark areas of a scene at the same time to provide usable video.

Smart H.265+

Smart H.265+ is the optimized implementation of the H.265 codec that uses a scene-adaptive encoding strategy, dynamic GOP, dynamic ROI, flexible multi-frame reference structure and intelligent noise reduction to deliver high-quality video without straining the network. Smart H.265+ technology reduces bit rate and storage requirements by up to 70% when compared to standard H.265 video compression.

Technical Specification

DHOP

Computing Power	1T computing power for enhanced performance
Flash	350 M
System Memory	300 M
Multimedia Memory	64 M
DHOP Partners	A.I.Tech, ACIC, Grekkom, Kobi, Retailflux, Siteeye, TechnoAware, etc. (https://depp.dahuasecurity.com/OpenPlatform)

Camera

Image Sensor	1/2.8" STARVIS™ CMOS
Pixel	4MP
Max. Resolution	2560 (H) × 1440 (V)
ROM	4GB
RAM	1GB
Electronic Shutter Speed	1/3–1/30,000s
Scanning System	Progressive
Min. Illumination	Color: 0.005 Lux@F1.6 B/W: 0.0005 Lux@F1.6 0 Lux (IR light on)
Illumination Distance	150 m (492.13 ft)
Illuminator On/Off Control	Zoom Prio/Manual/SmartIR
Illuminator Number	4

Lens

Focal Length	3.95 mm–177.7 mm			
Max. Aperture	F1.6–F4.95			
Field of View	H: 70.3°–1.8°; V: 37°–1°; D: 69.3°–2°			
Optical Zoom	45x			
Focus Control	Auto/Semi-Auto/Manual			
Close Focus Distance	0.01 m–3 m			
Iris Control	Auto/Manual			
DORI Distance	Detect	Observe	Recognize	Identify
	3176 m (10419.95 ft)	1270 m (4166.67 ft)	635 m (2083.33 ft)	317 m (1040.03 ft)

PTZ

Pan/Tilt Range	Pan: 0°–360°; Tilt: –15°–+90°
Manual Control Speed	Pan: 0.1°/s–300°/s; Tilt: 0.1°/s–200°/s
Preset Speed	Pan: 400°/s; Tilt: 300°/s
Presets	300
Tour	8 (up to 32 presets per tour)
Pattern	5
Scan	5

Speed Adjustment	Support
Power-off Memory	Support
Idle Motion	Preset/Tour/Pattern/Scanning
Protocol	DH-SD Pelco-P/D(Auto recognition)

General Intelligence

Event Trigger	Motion detection, video tampering, scene changing, Network disconnection, IP address conflict, illegal access, and storage anomaly.
---------------	---

Video

Compression	H.265/H.265+/H.264+/H.264/MJPEG(Sub Stream)
Streaming Capability	3 Streams
Resolution	4M (2560 × 1440); 3M (2048 × 1536); 1080p (1920 × 1080); 1.3M (1280 × 960); 720p (1280 × 720); D1 (704 × 576/704 × 480); CIF (352 × 288/352 × 240)
Frame Rate	Main stream: 4M/3M(1–25/30 fps), 1080p/1.3M/720p (1–25/30 fps) Sub stream 1: D1/CIF (1–25/30 fps) Sub stream 2: 1080p (1–20/11 fps), 1.3M/720p (1–25/30 fps), D1/ CIF (1–25/30 fps)
Bit Rate Control	Variable/Constant
Bit Rate	H.264: 32 Kbps–8192 Kbps H.265: 32 Kbps–8192 Kbps
Day/Night	Support
BLC	Support
WDR	120 dB
HLC	Support
White Balance	Auto/Indoor/Outdoor/Tracking/Manual/Sodium lamp/Natural/Street lamp
Gain Control	Auto/Manual
Noise Reduction	2D/3D
Motion Detection	Support
Region of Interest (RoI)	Support
Image Stabilization	Electronic
Defog	Electronic
Digital Zoom	16x
Flip	0°/180°
Privacy Masking	Up to 24 areas

Certification

Certifications	CE: EN55032/EN55024/EN50130-4 FCC: Part15 subpartB, ANSI C63.4- 2014 UL: UL60950-1+CAN/CSA 22.2, No.60950-1
----------------	---

Audio

Compression	G.711A; G.711Mu; G.726; AAC; G.722.1; G.723; G.729; PCM; MPEG2-Layer2
-------------	---

Port

Audio I/O	1 (Line in; bare wire)/1 (Line out; bare wire)
Alarm I/O	2/1

Network

Ethernet	1 RJ-45 Port 10/100Base-T
Protocol	IPv4; IPv6; HTTP; HTTPS; 802.1x; Qos; FTP; SMTP; UPnP; SNMPv1/v2c/v3(MIB-2); DNS; DDNS; NTP; RTSP; RTP; TCP; UDP; IGMP; ICMP; DHCP; PPPoE; ARP; RTCP; RTMP
Interoperability	ONVIF Profile S&G&T; CGI; DHOP SDK
Streaming Method	Unicast/Multicast
User/Host	20 (Total bandwidth 48M)
Storage	FTP; Micro SD card (256G) ; P2P
Browser	IE7 and newer versions Chrome 42 and older versions Firefox 52 and older versions Safari
Management Software	Smart Player Smart PSS DSS Easy4ip
Mobile Phone	IOS/Android/Windows Phone

Power

Power Supply	DC 24 V/2.5 A ± 25% PoE+ (802.3at)
Power Consumption	11 W 20 W (IR light on)

Environment

Operating Conditions	-40 °C to +70 °C (-40 °F to +158 °F)
Operating Humidity	≤95%RH
Protection	IP67; IK10; TVS 6000V lightning protection; surge protection

Structure

Dimensions	Φ190 mm × 332 mm (7.48" × 13.07")
Weight	Net Weight: 4.7 kg (10.36 lb) Gross Weight: 8 kg (17.64 lb)
Casing	Metal

Ordering Information

Type	Model	Description
4M DHOP Camera	DH-SD5A445XA-HNR-1T	4MP 45 Startlight IR DHOP NETWORK PTZ CAMERA
	Accessories	
	PFB305W	Wall Mount Bracket
	DC 24 V/2.5 A	Power Adapter
	PFA111	Mount Adapter
	PFA140	Power Box
	PFB300C	Ceiling Mount Bracket
	PFA120	Junction Box
	PFA150	Pole Mount Bracket
	PFA151	Corner Mount Bracket
	PFB303S	Parapet Mount Bracket

Accessories

Included:



PFB305W
Wall Mount Bracket



DC 24 V/2.5 A
Power Adapter

Optional:



PFA111
Mount Adapter



PFA140
Power Box



PFB300C
Ceiling Mount
Bracket



PFA120
Junction Box



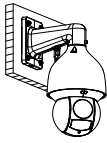
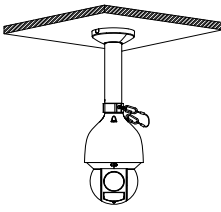
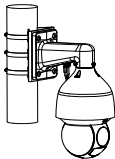
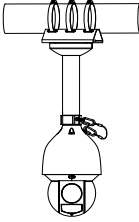
PFA150
Pole Mount Bracket



PFA151
Corner Mount
Bracket



PFB303S
Parapet Mount
Bracket

Wall Mount	Ceiling Mount
PFB305W	PFA110+PFB300C
	
Pole Mount (Vertical)	Pole Mount (Horizontal)
PFA150+PFB305W	PFA150+PFA111+PFB300C
	

Dimensions (mm[inch])

