

# DH-PFM512

## White LED Illuminator



- IP66 rated.
- Built of die cast aluminum cover, it is strong and durable.
- Sleek and elegant, the device uses a one-piece lens to make light more symmetrical.
- Adjustable LED brightness.
- Adjustable photosensitivity value.
- Supports 220 VAC power supplies.
- Supports pole mount, plane mount, and wall mount installation.
- Supports many control modes, such as RS-485 control mode, switch control mode and manual control mode.

### System Overview

The Illuminator has a high-quality, built-in LED chip that acts as the light source. With a precise optical design, the light intensity can be evenly and effectively distributed, and achieve the overall highlighting effect and provide professional supplementary light for video monitoring, vehicle and pedestrian detection and capture. The Illuminator can be widely used in scenarios including parking lot, toll station, entrance and exit, and security checkpoint.

### Scene

The device can be used in temperature ranging from  $-30\text{ }^{\circ}\text{C}$  to  $+70\text{ }^{\circ}\text{C}$  ( $-22\text{ }^{\circ}\text{F}$  to  $+158\text{ }^{\circ}\text{F}$ ), and is IP66 rated, making it widely applicable in outdoor scenes.

### Technical Specification

#### Performance

Protection	IP66
Surge Protection Grade	common mode: $\pm 6\text{ kV}$ ; differential mode: $\pm 4\text{ kV}$

#### Basic

Light Source	LED
LED Quantity	30
View distance	30 m (98.43 ft)
Light Spot Diameter	15 m (49.22 ft)
Luminous Flux	2850 lm
Color Temperature	5500K–6500K
Wavelength	400 nm–780 nm
Color Rendering Index (CRI)	Ra>70
Brightness	Value can be adjusted between 10% and 100%

Enable Threshold	Value can be adjusted between 30 lux and 70 lux
------------------	---

#### Power

Rated Power	30 W
Power Supply	220 VAC, 50 Hz

#### Port

RS-485	1
Alarm Input Port	1

#### Structure

Product Material	Aluminum Alloy
Product Dimensions	236.5 mm $\times$ 194 mm $\times$ 72 mm (9.31" $\times$ 7.64" $\times$ 2.83") (L $\times$ W $\times$ H)
Appearance Color	White
Net Weight	1.5 kg (3.31 lb)
Gross Weight	1.8 kg (3.97 lb)
Installation	Wall mount, pole mount, plane mount
Packaging Dimensions	221 mm $\times$ 106 mm $\times$ 272 mm (8.70" $\times$ 4.17" $\times$ 10.71") (L $\times$ W $\times$ H)

#### Environment

Operating Temperature	$-30\text{ }^{\circ}\text{C}$ to $+70\text{ }^{\circ}\text{C}$ ( $-22\text{ }^{\circ}\text{F}$ to $+158\text{ }^{\circ}\text{F}$ )
Operating Humidity	< 90% (RH)
Storage Temperature	$-30\text{ }^{\circ}\text{C}$ to $+70\text{ }^{\circ}\text{C}$ ( $-22\text{ }^{\circ}\text{F}$ to $+158\text{ }^{\circ}\text{F}$ )
Storage Humidity	10%–90% (RH)

#### Certifications

Certifications	CE EMC: EN 55032;EN 61000-3-3;EN IEC 61000-3-2;EN 50130-4;EN 55035:2017 LVD:EN 62368-1
----------------	--

## Ordering Information

Type	Model	Description
Illuminator	DH-PFM512	White LED Illuminator
Accessories (Optional)	PFB603W	Wall Mount Bracket
	PFA152-E	Pole Mount Bracket
	PFA162	Universal Joint

## Accessories

Optional:



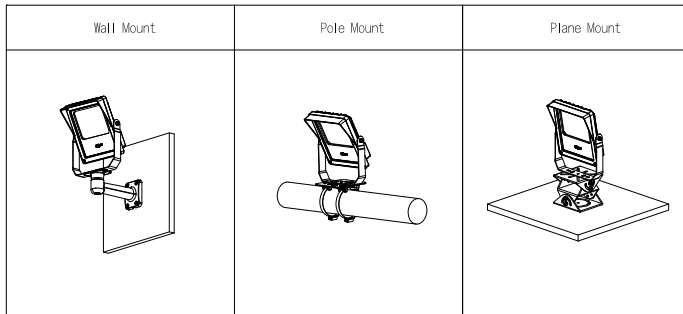
PFB603W  
Wall Mount Bracket



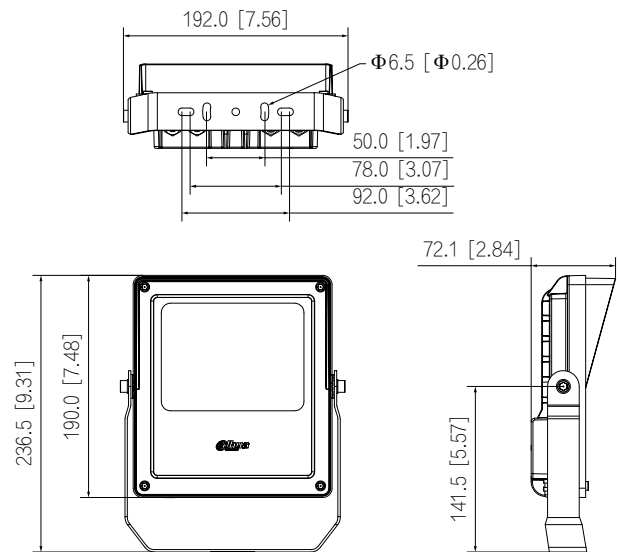
PFA152-E  
Pole Mount Bracket



PFA162  
Universal Joint



## Dimensions (mm[inch])



## Package Information

- White LED Illuminator \*1
- Installation Instruction \*1