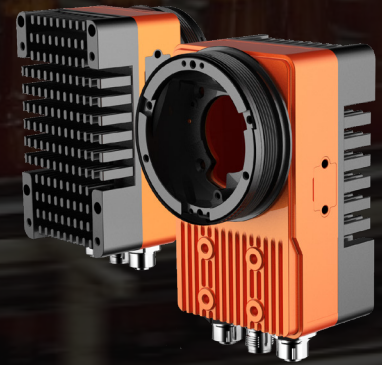


▲ DH-MV-SI5500MG000/1E

- Powerful intel platform, easy for secondary development
- 4G/8G memory and 64G/128G SSD internal storage
- Software trigger/Hardware trigger/Free run mode
- Industrial grade M12 connector
- 1Gbps Ethernet industrial interface, max 100m transmission



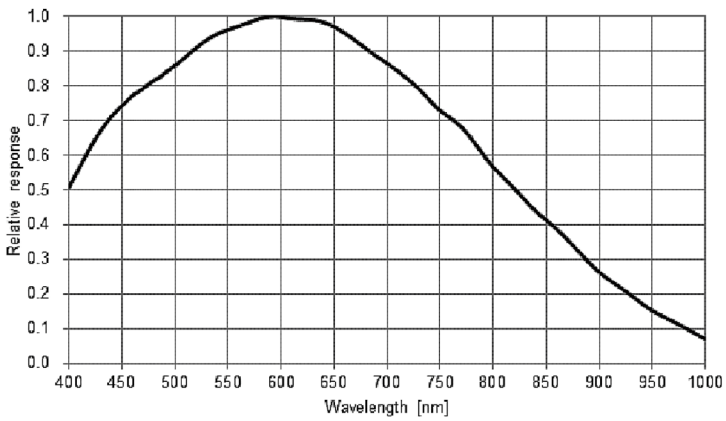
Specification

Model	Sensor	Sensor type	Shutter	Resolution	Frame rate (fps)	Bit depth	Interface	Mono/Color	Pixel size (μm)	Sensor size
DH-MV-SI5500MG000E	IMX264	CMOS	Global	2448x2048	35	12	GigE	Mono	3.45x3.45	2/3"
DH-MV-SI5500MG001E	IMX264	CMOS	Global	2448x2048	35	12	GigE	Mono	3.45x3.45	2/3"

Model	DH-MV-SI5500MG000E	DH-MV-SI5500MG001E
Effective Pixels	5MP	
Operating System	Win 10 X64 OS	
Processor	Intel Apollo Lake platform	
SNR	>38dB	
Dynamic Range	70dB	
Interface	3 physical interface: 1 GigE, 1 GPIO, 1 USB & VGA port	
GPIO	12 pins IO interface: 3 Opto-isolated input and 3 Opto-isolated output	
Image Format	Mono8/10/12	
Gain	X1~X6	
Gamma	Range from 0 to 4, support LUT	
Memory	LPDDR4 4G Byte	LPDDR4 8G Byte
Storage	Internal storage: maximum 64GB SSD	Internal storage: maximum 128GB SSD
Exposure Time	33.6μs~1s	
Trigger Mode	Software trigger/Hardware trigger/Free run mode	
User Setting	Support two sets of user-defined configurations	
Dimensions	69mm x 117mm x 62mm	
Weight	<2kg	
LED indicator	5 status indicators: 1 system, 2 network and 2 user configurable indicators	
Lens Mount	Support C / M12 mount	
Power Supply	Support 24V DC power supply	
Power Consumption	≤30W	
Temperature	Storage temperature: -30° C~ + 80° C; Operation temperature: 0° C~+50° C	

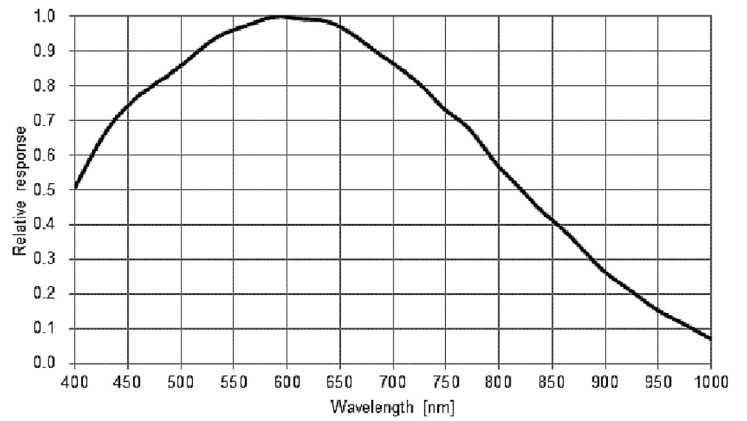
Spectrogram

SI5500MG000E



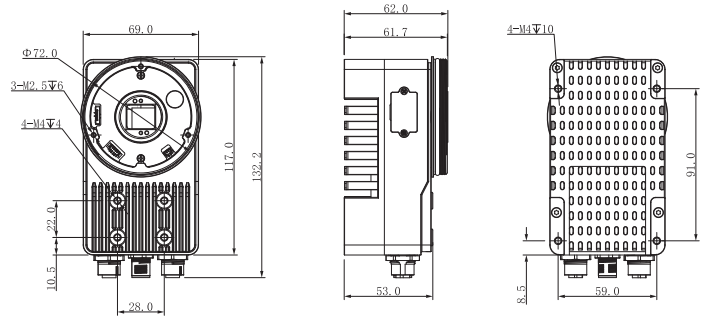
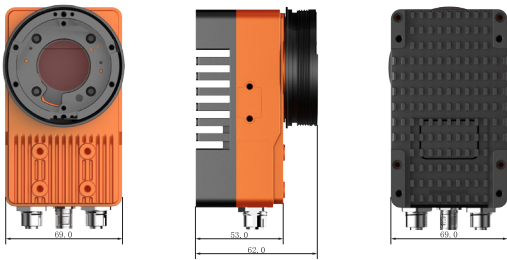
Quantum Efficiency Curve for Mono Sensor

SI5500MG001E

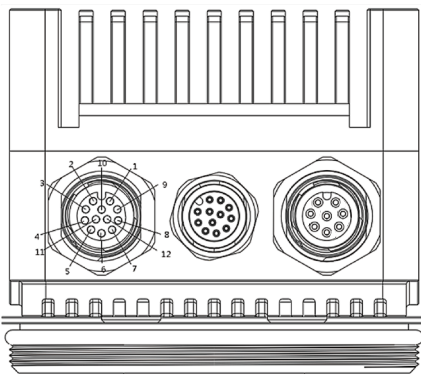


Quantum Efficiency Curve for Mono Sensor

Dimensions



IO Interface Instruction



Pin	Signal	Description
1	OPT_IN1	Opto-isolated input 1
2	OPT_IN2	Opto-isolated input 2
3	OPT_OUT1	Opto-isolated output 1
4	OPT_OUT2	Opto-isolated output 2
5	RXD RS232	Serial port input
6	OPT_IN_GND	Opto-isolated in ground
7	Power	DC 24V input
8	GND	Power ground
9	OPT_OUT_GND	Opto-isolated out ground
10	OPT_IN0	Opto-isolated input 0
11	OPT_OUT0	Opto-isolated output 0
12	TXD RS232	Serial port output