

DHI-ITALE-160BA-IR8-C

Dahua All-in-one Multifunction Illuminator



System Overview

DHI-ITALE-160BA series of illuminator is a high performance ITC auxiliary light which supports synchronized illumination for snapshots and videos, integrating LED strobe and continuous light. With intelligent control technique, the illuminator can manage short flashing intervals and clear snapshots. Added thermal-protective design on structure to provide long product life, it can also link with ITC cameras through RS-485 to automatically turn on at night with adjustable brightness.

Functions

Integrated Functions

The Illuminator integrates imported high performance LED strobe and flashlight together.

Low Cost Maintenance

The Illuminator supports linking camera (Dahua traffic cameras only) through RS-485, displaying illuminator status, power and more information.

Brightness Adjustable

With wide adjustment range, the brightness of the LED strobe can be configured on the camera web interface or client.

Anti-interference

Pulse width trigger is available on the illuminator, which helps ensure proper work and enhance reliability.

- O&M: Supports displaying equipment online status, fault status, working status, equipment power, equipment temperature, equipment photosensitive value and other operation and maintenance status information of the illuminator in real time through RS485 on Dahua cameras or intelligent cabinets.
- Adjustable brightness: Supports adjusting the LED strobe brightness from 1 to 20.
- Anti-interference: The illuminator filters the detected pulse width (below the configured threshold) to ensure the device works properly and improve reliability.
- False triggering shield: Supports shielding false triggering interference.
- Creative structure: Streamline design, simple appearance and high saturation greatly improve the protection level (waterproof and dust-free). The inside heat dissipation design prevents the illuminator from overheating damage effectively.
- Wide voltage power supply: Supports 100–240 VAC power supply.



Failure Display

Supports remotely displaying the running or fault status of the illuminator on the web interface of camera (only Dahua traffic enforcement cameras) to improve maintenance efficiency.

Creative Structure

Streamline design, simple appearance and high saturation greatly improve the waterproof and dust-free protection level. The inside heat dissipation design prevents the illuminator from overheating damage effectively.

Scene

The illuminator is primarily used for ANPR and E-police systems to provide lights for recognizing license plates (especially at night) and other vehicle attributes (such as vehicle models), and capturing traffic violations.

Technical Specification

Basic

Light Type	LED
Light Source	IR (wavelength 850 nm)
Center Illuminance	< 23 uW/cm ² (20 m illumination)
Illumination Distance	18 m–35 m (59.06 ft–114.83 ft)

LED

LED Quantity	42 (high-brightness LED)
Luminous Flux	16 W
Lens Illuminating Angle	10° × 30°

Function

Day/Night	Sensitivity adjustable (1–6)
Operating Mode	Solid on
Status Indication	Displays real-time device online and light status
Power Detection	Displays real-time power of the device
Temperature Detection	Displays real-time temperature of the device
Photosensitivity Value	Display real-time device photosensitivity value
Remote Failure Display	Current and voltage detection
Brightness	LED: 1–20 levels of brightness
Recording and Illumination Synchronization	Yes
False Triggered Signal Blocking	Yes
Anti-interference	Yes

Port

Flash Light	1
Strobe Input	1
RS-485	1

General

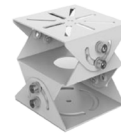
Power Supply	100–240 VAC
Power Consumption	60 W
Operating Temperature	–40 °C to +65 °C (–40 °F to +149 °F)
Operating Humidity	10%–90% (non-condensing)
Protection	IP66
Product Dimensions	258 mm × 250 mm × 84 mm (10.16" × 9.84" × 3.31") (L × W × H)
Net Weight	3.6 kg (7.94 lb)
Gross Weight	4.1 kg (9.04 lb)
Installation	Bracket mount

Ordering Information

Type	Model	Description
Illuminator	DHI-ITALE-160BA-IR8-C	Dahua LED continuous IR light
Accessories	8018	3-dimensional universal mounting bracket

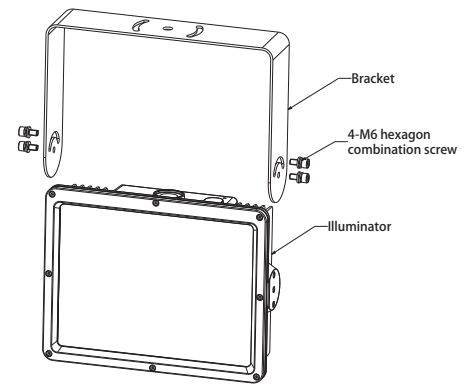
Accessories

Optional:

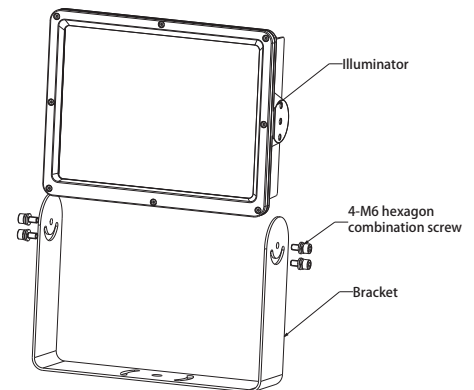


8018
3-dimensional universal
mounting bracket

Hang mount



Upright mount



Dimensions (mm[inch])

