

DH-IPC-HFW5849T1-ASE-LED

8MP Full-color Fixed-focal Warm LED Bullet WizMind Network Camera



Launched by Dahua Technology, Dahua WizMind is a full portfolio of solutions composed of project-oriented products including IPC, NVR, PTZ, XVR, Thermal and software platform which adopts industry-leading deep learning algorithms. Focusing on customer's requirements, WizMind provides precise, reliable and comprehensive AI solutions for verticals.

Series Overview

With starlight solution and deep learning algorithm, Dahua WizMind 5 Series network camera has various intelligent functions, including face capture, perimeter protection and people counting, which greatly improve the accuracy of video analysis. The series camera supports dust-proof function, waterproof function and vandal-proof function, complying with the standards of IP67 and IK10 (Supported by some select models).

Functions

Face Detection

Dahua Face Detection technology can detect the face in the image. With deep learning algorithm, the technology supports detecting, tracking, capturing and selecting the best face image, and then outputs face snapshot.

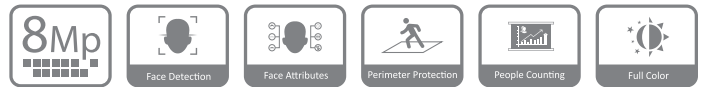
Face Attributes

With deep learning algorithm, the network camera can recognize face attributes, such as gender, age, expression, glasses, mouth mask, and beard.

Perimeter Protection

With deep learning algorithm, Dahua Perimeter Protection technology can recognize human and vehicle accurately. In restricted area (such as pedestrian area and vehicle area), the false alarms of intelligent detection based on target type (such as tripwire, intrusion, fast moving, parking detection, loitering detection and gathering detection) are largely reduced.

- 8-MP 1/1.2" CMOS image sensor, low illuminance, high image definition.
- Outputs max. 8 MP (3840 × 2160) @30 fps.
- Built-in warm illuminator, and the max. illumination distance is 50 m.
- ROI, SMART H.264+/H.265+, flexible coding, applicable to various bandwidth and storage environments.
- Rotation mode, WDR, 3D NR, HLC, BLC, digital watermarking, applicable to various monitoring scenes.
- Alarm: 1 in, 1 out; audio: 1 in, 1 out; supports max. 256 G Micro SD card, built-in Mic and speaker.
- 12 VDC/PoE power supply.
- ePoE, IP67 protection.
- SMD 3.0.



People Counting

With deep learning algorithm, Dahua People Counting technology can track and process moving human body targets to realize the accurate statistics of enter No., leave No., and In Area No. Working with management platform, it outputs yearly/monthly/daily reports to meet your requirements.

Full-color

With high-performance sensor and large aperture lens, Dahua Full-color technology can display clear colorful image in the environment of ultra-low illuminance. With this photosensitivity technology, the camera can capture more available light, and display more colorful image details.

Cyber Security

Dahua network cameras employ a series of security technologies, including security authentication and authorization, access control protocols, trusted protection, encrypted transmission and encrypted storage. These technologies improve the camera's defense against external cyber threats and prevent malicious programs from compromising the device.

Protection (IP67, wide voltage)

IP67: The camera passes a series of strict test on dust and soak. It has dust-proof function, and the enclosure can works normal after soaking in 1 m deep water for 30 minutes.

Wide voltage: The camera allows $\pm 30\%$ (for some power supplies) input voltage tolerance (wide voltage range), and it is widely applied to outdoor environment with instable voltage.

Technical Specification

Camera

Image Sensor	1/1.2" CMOS
Max. Resolution	3840 (H) × 2160 (V)
ROM	128 MB
RAM	1 GB
Scanning System	Progressive
Electronic Shutter Speed	Auto/Manual 1/3 s–1/100,000 s
Min. Illumination	0.0005Lux@F1.0
S/N Ratio	>56 dB
Illumination Distance	50 m (164.04 ft)
Illuminator On/Off Control	Auto/Manual
Illuminator Number	4 (Warm light)
Pan/Tilt/Rotation Range	Pan: 0°–360° Tilt: -20°–90° Rotation: 0°–360°

Lens

Lens Type	Fixed-focal				
Mount Type	M22				
Focal Length	2.8 mm; 3.6 mm				
Max. Aperture	F1.0				
Field of View	2.8 mm: Horizontal 112° × Vertical 61° × Diagonal 131° 3.6 mm: Horizontal 91° × Vertical 50° × Diagonal 106°				
Iris Type	Fixed				
Close Focus Distance	2.8 mm: 3.1m (10.2 ft) 3.6 mm: 5.4m (17.7 ft)				
DORI Distance	Lens	Detect	Observe	Recognize	Identify
	2.8 mm	82.8 m (271.65 ft)	33.1 m (108.60 ft)	16.6 m (54.46 ft)	8.3 m (27.23 ft)
	3.6 mm	120.4 m (395.01 ft)	48.2 m (158.14 ft)	24.1 m (79.10 ft)	12.0 m (39.37 ft)

Smart event

IVS	Abandoned object; missing object
Heat Map	Yes

Professional, intelligent

IVS (Perimeter Protection)	Tripwire; intrusion; fast moving (the three functions support the classification and accurate detection of vehicle and human); loitering detection; people gathering; parking detection
Face Detection	Face detection; track; optimization; snapshot; face enhancement; face exposure; face matting setting; face, single inch photo; three snapshot methods: real-time snapshot, optimization snapshot, quality priority; face angle filter; optimization time setting

People Counting	Support the counting of enter number, leave number and pass number, and displaying and outputting yearly/ monthly/weekly/daily reports Support the counting of number in area, and 4 rules configuration Count number of people or stay time and link alarm Support queue management, and 4 rules configuration. Count number of people or stay time and link alarm
-----------------	---

Intelligent Search	Work together with Smart NVR to perform refine intelligent search, event extraction and merging to event videos.
--------------------	--

Video

Video Compression	H.265; H.264; H.264H; H.264B; MJPEG (only supported by the sub stream)
-------------------	--

Smart Codec	Smart H.265+/Smart H.264+
-------------	---------------------------

Video Frame Rate	Main stream: 3840 × 2160 @(1 fps–25/30 fps) Sub stream: D1 (1 fps–25/30 fps) Third stream: 1080p (1 fps–25/30 fps) *The values above are the max. frame rates of each stream; for multiple streams, the values will be subjected to the total encoding capacity.
------------------	---

Stream Capability	3 streams
-------------------	-----------

Resolution	3840 × 2160; 3072 × 2048; 3072 × 1728; 2592 × 1944; 2688 × 1520; 2048 × 1536; 2304 × 1296; 1080p (1920 × 1080); 1.3 M (1280 × 960); 720p (1280 × 720); D1 (704 × 576/704 × 480); VGA (640 × 480); CIF (352 × 288/352 × 240)
------------	---

Bit Rate Control	CBR/VBR
------------------	---------

Video Bit Rate	H.264: 3 kbps–20480 kbps H.265: 3 kbps–20480 kbps
----------------	--

Day/Night	Color/B/W
-----------	-----------

BLC	Yes
-----	-----

HLC	Yes
-----	-----

WDR	140 dB
-----	--------

Defog	Yes
-------	-----

White Balance	Auto/natural/street lamp/outdoor/manual/regional custom
---------------	---

Gain Control	Auto/Manual
--------------	-------------

Noise Reduction	3D NR
-----------------	-------

Motion Detection	OFF/ON (4 areas, rectangular)
------------------	-------------------------------

Region of Interest (RoI)	Yes (4 areas)
--------------------------	---------------

Image Rotation	0°/90°/180°/270° (Support 90°/270° with 4M resolution and lower)
----------------	--

Mirror	Yes
--------	-----

Privacy Masking	8 areas
-----------------	---------

Audio	
-------	--

Built-in MIC	Yes
--------------	-----

Audio Compression	PCM; G.711a; G.711Mu; G.726; G.723
-------------------	------------------------------------

Alarm

Alarm Event	No SD card; SD card full; SD card error; network disconnection; IP conflict; illegal access; motion detection; video tampering; defocus detection; scene changing; intrusion; tripwire; abandoned object; missing object; fast moving; parking detection; loitering detection; people gathering; input abnormal detection; intensity change detection; people counting; face detection; people counting in area; stay alarm; people No. exception detection; queue management
-------------	---

Network

Network	RJ-45 (10/100 Base-T)
SDK and API	Yes
Network Protocol	IPv4; IPv6; HTTP; HTTPS; TCP; UDP; ARP; RTP; RTSP; RTCP; RTMP; SMTP; FTP; SFTP; DHCP; DNS; DDNS; QoS; UPnP; NTP; Multicast; IGMP; IGMP; NFS; SAMBA; PPPoE; 802.1x; SNMP
Cyber Security	Video encryption; configuration encryption; Digest; WSSE; account lockout; security logs; generation and importing of X.509 certification; HTTPS; trusted boot; trusted execution; trusted upgrade
Interoperability	ONVIF(Profile S/Profile G/Profile T); CGI; Milestone; P2P
User/Host	20 (Total bandwidth: 80 M)
Storage	FTP; SFTP; Micro SD card (support max. 256 G); NAS
Browser	IE: IE8 and later Chrome Firefox
Management Software	Smart PSS; DSS; DMSS
Mobile Client	IOS; Android

Certification

Certifications	CE-LVD: EN62368-1 CE-EMC: Electromagnetic Compatibility Directive 2014/30/EU FCC: 47 CFR FCC Part 15, Subpart B UL/CUL: UL60950-1 CAN/CSA C22.2 No.60950-1-07
----------------	--

Port

Audio Input	1 channel (RCA port)
Audio Output	1 channel (RCA port)
Alarm Input	1 channel in: 5mA 3V–5 VDC
Alarm Output	1 channel out: 300mA 12 VDC

Power

Power Supply	12 VDC (±30%)/PoE (802.3af)/ePoE
Power Consumption	Basic: 5.3 W (12 VDC); 6.2 W (PoE) Max. (H.265 + 3 streams + intelligence + LED): 11.1 W (12 VDC); 12.1 W (PoE)

Environment

Operating Conditions	–40 °C to +60 °C (–40 °F to +140 °F)/Less than 95% RH
Storage Conditions	–40 °C to +60 °C (–40 °F to +140 °F)
Protection Grade	IP67

Structure

Casing	Metal
Dimensions	288.4 mm × 94.4 mm × 84.7 mm (11.4" × 3.7" × 3.3") (L × W × H)
Net Weight	1.15 kg (2.5 lb)
Gross Weight	1.38 kg (3.0 lb)

Ordering Information

Type	Part Number	Description
8MP Camera	DH-IPC-HFW5849T1P-ASE-LED-0280B	8MP Full-color Fixed-focal Warm LED Bullet WizMind Network Camera, PAL
	DH-IPC-HFW5849T1P-ASE-LED-0360B	8MP Full-color Fixed-focal Warm LED Bullet WizMind Network Camera, PAL
	IPC-HFW5849T1P-ASE-LED-0280B	8MP Full-color Fixed-focal Warm LED Bullet WizMind Network Camera, PAL
	IPC-HFW5849T1P-ASE-LED-0360B	8MP Full-color Fixed-focal Warm LED Bullet WizMind Network Camera, PAL
Accessories (Optional)	PFA130-E	Junction Box
	PFA152-E	Pole Mount
	PFM321D	12 VDC 1A Power Adapter
	LR1002-1ET/1EC	Single-port Long Reach Ethernet over Coax Extender
	PFM900-E	Integrated Mount Tester
	PFM114	TLC SD Card

Accessories

Optional:



PFA130-E
Junction Box



PFA152-E
Pole Mount



PFM321D
12 VDC 1A Power
Adapter



LR1002-1ET/1EC
Single-port Long
Reach Ethernet over
Coax Extender

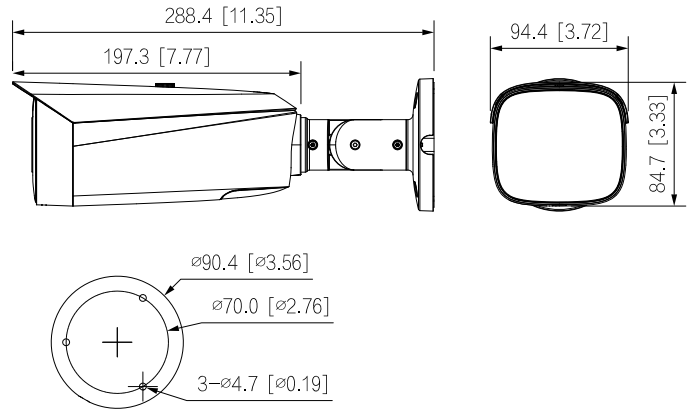


PFM900-E
Integrated Mount
Tester



PFM114
TLC SD Card

Dimensions (mm/inch)



Ceiling Mount	Wall Mount	Pole Mount (Vertical)