

DHI-ARC3008C

ADVANCED CONTROL PANEL WITH 8 ZONES - Fortress Series



Technical Specification

General Specification

Main Supply Power Voltage	110-220V AC, 50/60Hz
Standby Power	12VDC/7Ah Lead-acid battery
Auxiliary Power Output	12VDC/1A
Power Consumption	≤ 40W
Operating Temperature	-10C ~ +55C
Humidity	10% ~ 90%
Dimension	275 × 275 × 77 mm
Weight	≤ 3kg
Installation	Wall mounting
Environmental Class	II

System Features

On-board Zones	8
On-board Programming Outputs	3, including 1 relay output(DC30V/1A, AC125V/0.5A), 2 MOS outputs
Areas	8, each Area includes 2 Partitions

Features

- 8 onboard zones
- 8 Areas, 2 partitions for each Area
- 3 programmable outputs, including 1 relay output, 2 MOS outputs
- Outputs operation follows system events, zone events, Area, Link events and timer schedule
- 100 users with 8 authority levels for users(Supervisor, Manager, Master, User, Temporary, Duress, Patrol and Technician)
- 1000 events log
- 8 independent timers for automatic control
- Up to 8 keypads (ARK30C)
- 1 case tamper and 1 leave-wall tamper supported
- Supports more than 11 zone types
- 7 sorts of zone terminations, including NO, NC, EOL, 2EOL, 3EOL, Interital type and Impulse type
- EOL resistance configurable (2K7, 4K7 or 6K8)
- Built-in 10/100M self-adaptive Ethernet interface
- 2 RS485 ports can be used to connect with keypads and other modules
- 3 telephone numbers for monitor station(PSTN), 8 numbers for vocal message, 8 numbers for SMS
- Combined with additional PSTN modules (ARA58-P) for dialing to the digital receiver in the CMS, transmitting CID protocol
- Combined with additional GPRS/GSM modules (ARA58-G-EN or ARA58-G-IT) to receive SMS notifications and remotely control, as well as receiving voice event messaging and remotely control by full voice menu guide
- Cellular backup in case of IP network failure with GPRS/GSM Modules
- App DMSS to push alarm message and remotely control
- Firmware upgrade with a PC using Alarm Config software

DHI-ARC3008C

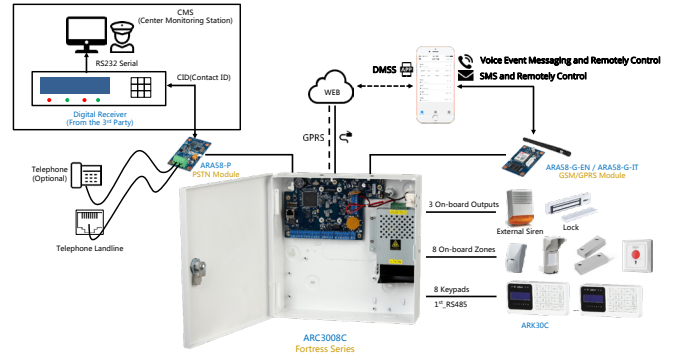
Users	100, supported 7 user levels: Supervisor, Manager, Master, User, Temporary, Duress, Patrol and Technician
Event log	1000
Timers	8
Keypads	8 (ARK30C)
Auxiliary Power Outputs Ports	2, DC12V/1A
Battery Port	1

Communication

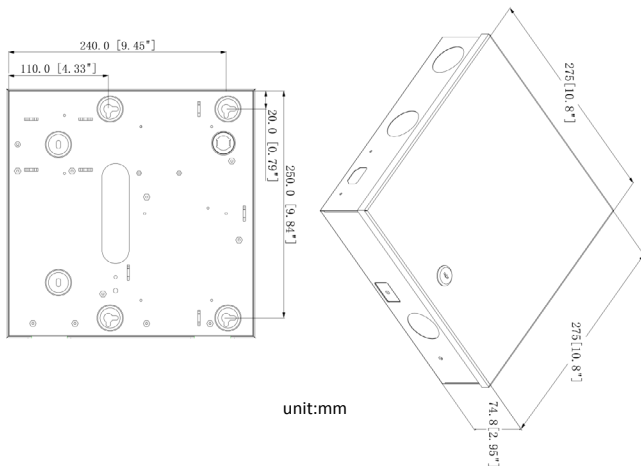
RJ45 Network Interface	1, 10/100M self-adaptive Ethernet interface
RS485 Ports	2
PSTN dialer	Yes, with additional PSTN module ARA58-P
Text Message(SMS) and Remotely Control via SMS	Yes, with additional GPRS/GSM module ARA58-G-EN or ARA58-G-IT
Voice Event Messaging and Remotely Control by Voice Menu Guide	Yes, with additional GPRS/GSM module ARA58-G-EN or ARA58-G-IT
Cellular Backup	Yes, with additional GPRS/GSM module ARA58-G-EN or ARA58-G-IT
Telephone Numbers for Monitor Station(PSTN)	3
Numbers for Vocal Message	8
Numbers for SMS	8
App	Yes, DMSS

Application

The Fortress series alarm control panel ARC3008C is intended for security of villa, house, small and medium-sized facilities, offering comprehensive functionality in the field of security systems.



Dimensions



unit:mm