

Wall Mount Bracket

Fisheye - PTZ Integrated Bracket

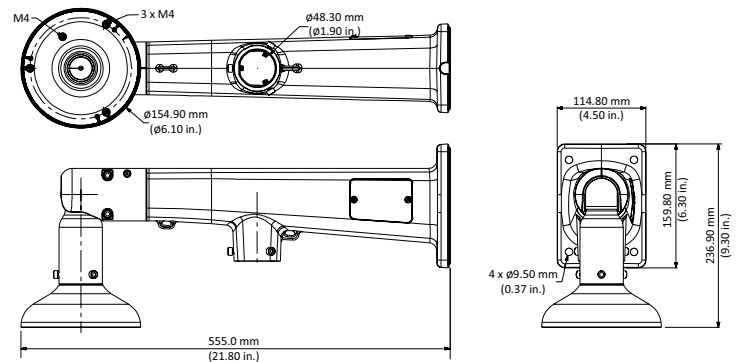


- Aluminum Construction
- Supports Linkage between Fisheye and PTZ Cameras
- Multi-dimensional Adjustments to support Omni-directional Viewing Angles
- Safety Tether Attached for Secure and Reliable Installation
- Maintenance Hatch to Aid Cable Routing

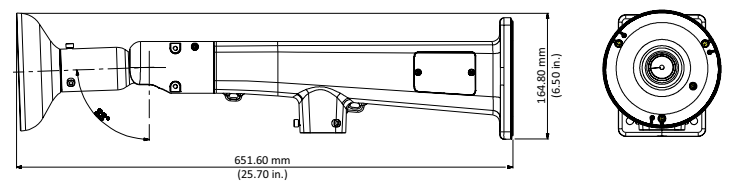
Technical Specifications	
Material	Aluminum
Color	White
Dimensions (W x H x D)	
Rotation Angle: 0°	555.0 mm x 236.90 mm x ϕ 154.90 mm (21.80 in. x 9.30 in. x ϕ 6.10 in.)
Rotation Angle: 88°	651.60 mm x 164.80 mm x ϕ 154.90 mm (25.70 in. x 6.50 in. x ϕ 6.10 in.)
Weight	2.80 kg (6.17 lb)
Load Bearing Capacity	
Fisheye	1.0 kg (2.20 lb)
PTZ	7.0 kg (15.43 lb)
Operating Temperature	-40° C to 60° C (-40° F to 140° F)
Humidity	0% to 90% RH
Applicable Camera Models	
Fisheye Cameras	NK8BR4 N68BR4V
PTZ Cameras	6AE Series Cameras

Dimensions (mm/in.)

0° Rotation



88° Rotation



Ordering Information

Type	Part Number	Description
Wall Mount	DH-PFB410W	Integrated Wall Mount Bracket for Fisheye and PTZ Cameras
Accessories, optional	PFA120	Junction Box
	PFA150	Pole Mount Bracket
	PFA151	Corner Mount