

DH-IPC-HDW4120E(-AS)

1.3MP HD Network Small IR Dome Camera



Features

- 1/3" 1.3Megapixel progressive scan CMOS
- Support H.264&MJPEG dual codec
- 25/30fps@1.3M(1280×960)
- Smart Detection supported
- DWDR, Day/Night(ICR), 3DNR,AWB,AGC,BLC
- Multiple network monitoring: Web viewer, CMS(DSS/PSS) & DMSS
- 3.6mm fixed lens (6mm optional)
- Built-in Mic (only for -AS)
- Max. IR LEDs Length 50m
- Micro SD memory (only for -AS), IP67, PoE

DH-IPC-HDW4120E(-AS)

Technical Specifications

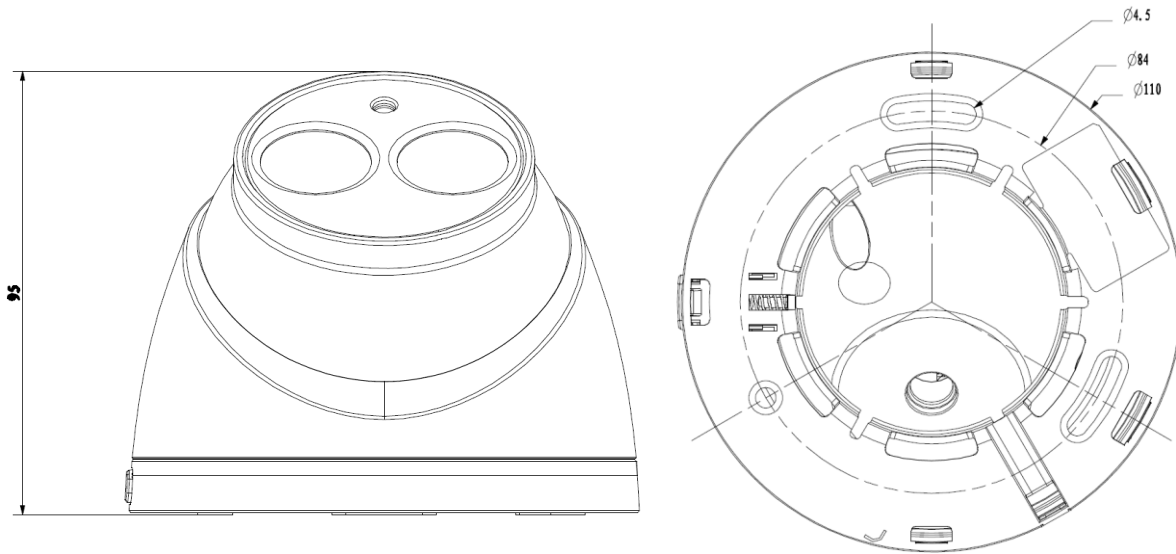
Model		DH-IPC-HDW4120E(-AS)
Camera		
Image Sensor	1/3" 1.3Megapixel progressive scan CMOS	
Effective Pixels	1280(H) × 960(V)	
Scanning System	Progressive	
Electronic Shutter Speed	Auto/Manual, 1/3(4)~1/100000s	
Min. Illumination	0.01Lux/F2.0(Color), 0Lux/F2.0(IR on)	
S/N Ratio	More than 50dB	
Video Output	N/A	
Camera Features		
Max. IR LEDs Length	50m	
Day/Night	Auto(ICR)/Color/B/W	
Backlight Compensation	BLC / HLC / DWDR	
White Balance	Auto/Sunny/Night/Outdoor/Customized	
Gain Control	Auto/Manual	
Noise Reduction	3D	
Privacy Masking	Up to 4 areas	
Lens		
Focal Length	3.6mm (6mm optional)	
Max Aperture	F2.0(F1.9)	
Focus Control	Manual	
Angle of View	H:71°(46.5°)	
Lens Type	Fixed lens	
Mount Type	Board-in Type	
Video		
Compression	H.264/H.264H/H.264B/MJPEG	
Resolution	1.3M(1280x960)/720P(1280×720)/ D1(704×576/704×480) / CIF(352×288/352×240)	
Frame Rate	Main Stream	1.3M/720P(1 ~ 25/30fps)
	Sub Stream	D1/CIF(1 ~ 25/30fps)
	Third Stream	720P(1 ~ 14/7fps)
Bit Rate	H.264: 32K ~ 10Mbps	
Corridor Mode	Support	
Audio		
Compression	G.711a/ G.711u/ AAC(only for -AS)	
Interface	Built-in Mic(only for -AS)	
Smart Function(Optional)		
Smart detection	Tripwire	
	Intrusion	
	Abandoned/Missing	
	Scene Change	
	Audio detect	

DH-IPC-HDW4120E(-AS)

	Face detect
Network	
Ethernet	RJ-45 (10/100Base-T)
Wi-Fi	N/A
Protocol	IPv4/IPv6, HTTP, HTTPS, SSL, TCP/IP, UDP, UPnP, ICMP, IGMP, SNMP, RTSP, RTP, SMTP, NTP, DHCP, DNS, PPPOE, DDNS, FTP, IP Filter, QoS, Bonjour, 802.1x
Compatibility	ONVIF, PSIA, CGI
Max. User Access	20 users
Smart Phone	iPhone, iPad, Android, Windows Phone
Auxiliary Interface	
Memory Slot	Micro SD Max 128GB(only for -AS)
RS485	N/A
Alarm	N/A
PIR Sensor Range	N/A
General	
Power Supply	DC12V, PoE (802.3af)
Power Consumption	Max 4W
Working Environment	-30°C~+60°C, Less than 95% RH
Ingress Protection	IP67
Vandal Resistance	N/A
Dimensions	Φ 110mm×95mm
Weight	0.32Kg

DH-IPC-HDW4120E(-AS)

Dimensions (mm)



Accessory (optional)

PFB203W	PFB200W	PFA152
PFA136	PFA150	PFA151

Dahua Technology Co., Ltd.

1187BinAn Road, Binjiang District, Hangzhou, China

DH-IPC-HDW4120E(-AS)

Tel: +86-571-87688883

Fax: +86-571-87688815

Email: overseas@dahuatech.com

www.dahuatech.com

*Design and specifications are subject to change without notice.

© 2013 Dahua Technology Co., Ltd.