

Mechanical desk monitor bracket



Product Features

- Solid aluminum die cast construction, quick to install, easy to use
- Fits most monitors and check for mounting holes on back of monitors
- Pitching and horizontal angle adjustable

Technical Specifications

Model	BL102
Fit screen size	10-24"
Max screen number	2
VESA size	100x100mm,75x75mm
Loading capacity	0-8kg
Tilt angle	-5~+15°
Swivel angle	-5~+15°
Rotation	-
Max height	400mm
Max extension	315mm
Desk thickness	15-55mm
Installation type	Clamp, grommet
Material	aluminum
Color	Silver
Additional features	-

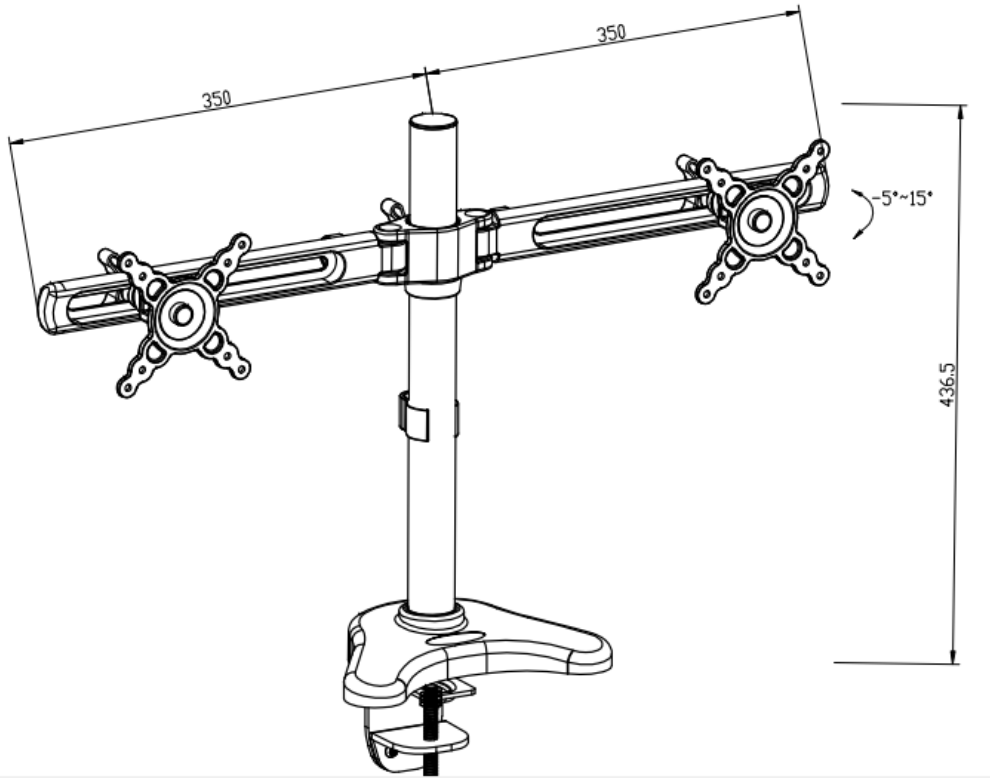
*Design and specifications are subject to change without notice.

Dahua Technology Co., Ltd.

1199BinAn Road, Binjiang District, Hangzhou, China
 Fax: +86-571-87688815 Email:overseas@dahuatech.com

Tel: +86-571-87688883
 www.dahuasecurity.com

Dimensions(mm)



Dahua Technology Co., Ltd.

1199BinAn Road, Binjiang District, Hangzhou, China
Fax: +86-571-87688815 Email:overseas@dahuatech.com

Tel: +86-571-87688883
www.dahuasecurity.com