

# DHI-ASR2100A-ME

## Access Reader



- PC material, acrylic panel and IP66, suitable for indoor and outdoor use
- Support contactless recognition of IC card (Mifare card) and ID card in two frequencies
- Support card unlock
- Support RS485 and Wiegand communication
- Support buzzer and indicator prompt
- Support anti-tampering alarm
- The built-in watchdog program can detect and control abnormal operation status of the equipment and perform recovery processing to ensure the long-term operation of the equipment
- All connection ports have overcurrent and overvoltage protection

### Series Overview

As a key part of the access control system, the DHI-ASR2100A-ME access control card reader supports card unlock and sends the information to the access controller for verification. With a thin and elegant design, it is applicable to industrial zones, office buildings, schools, factories, stadiums, CBD, residential area, government properties, etc.

### Technical Specification

#### Basic

Product Type	Card reader
Buzzer	Yes
Casing	PC/acrylic panel

#### Function

Unlock Mode	Card swiping
Card Type	IC/ID card

#### Performance

Response Time	0.1 s
Card Reading Distance	0 cm–5 cm (0"–1.97")

#### Port

RS-485	1 channel
Wiegand	1 output channel

#### Alarm

Tamper Alarm	Yes
--------------	-----

#### General

Power Supply	12V 0.5A DC
--------------	-------------

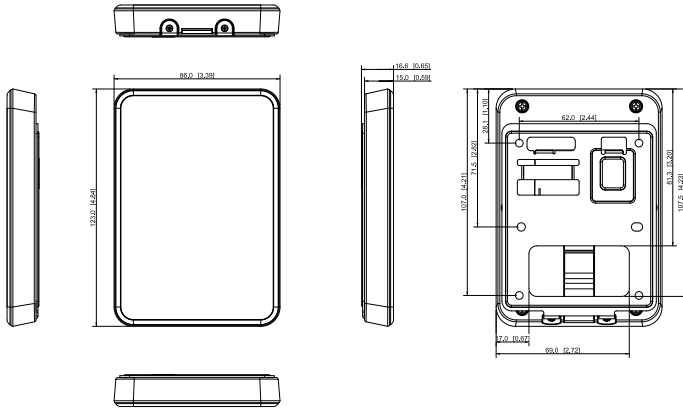


Protection	IP66 (silicon sealant is needed, see the manual)
Power Consumption	Standby ≤ 0.9W, working ≤ 1.7W
Product Dimensions	123 mm × 86 mm × 15 mm (4.84" × 3.38" × 0.59") (L × W × H)
Packaging Dimensions	185 mm × 163 mm × 71 mm (7.28" × 6.41" × 2.80") (L × W × H, 1 in inner carton) 578 mm × 383 mm × 349 mm (22.76" × 15.08" × 13.74") (L × W × H, carton)
Operating Temperature	–30°C to +70°C (–22°F to +158°F)
Operating Humidity	5%RH–95% (non-condensing)
Operating Environment	Indoor; outdoor
Gross Weight	0.35 kg (0.77 lb)
Installation	Surface mount
Certifications	CE; FCC

### Ordering Information

Type	Model	Description
Access Reader	DHI-ASR2100A-ME	DHI-ASR2100A-ME Outdoor Waterproof Dual-frequency Card Reader

Dimensions (mm[inch])



Application

