

DHI-ARD323-W2(S)

Wireless door detector



- Signal strength detection.
- Low battery alarm.
- Temperature measurement.
- Frequency hopping function and two-way communication technology ensure communication stability.
- Cloud update and automatic recovery from update failure.

System Overview

Wireless door detector is a detector consisting of a sensor and a magnet that can trigger an alarm when an armed door is opened. It can display the open and close state of doors and windows on the DMSS App in real time, and provides timely notifications of alarm events when armed, acting as a monitoring mechanism.

Scene

Mainly applied for villas, shops, apartments, etc.

Technical Specification

Port

Indicator Light	1 × green alarm indicator
Button	1 × power button

Function

Tamper Alarm	Yes
Remote Upgrade	Cloud update
Low Battery Alarm	Yes
Test Mode	Yes
Search	Signal strength detection

Wireless

Carrier Frequency	433.1 MHz–434.6 MHz
Communication Distance	Up to 1,000 m (3,280.84 ft) in an open space
Communication Mechanism	Two-way
Frequency Hopping	Yes
Encryption Mode	AES128

General

Power Supply	CR123A battery
Power Consumption	Max. 70 mW
Operating Temperature	−10 °C to +55 °C (+14 °F to +131 °F) (indoor)
Operating Humidity	10%–90% (RH)
Product Dimensions	100.2mm × 20.8mm × 20.3mm (3.94" × 0.82" × 0.80") (L × W × H)
Packaging Dimensions	135.0 mm × 98.5 mm × 27.8mm (5.31" × 3.88" × 1.09") (L × W × H)
Installation	Bracket mount
Net Weight	70 g (0.15 lb)
Gross Weight	115 g (0.25 lb)
Certifications	CE
Battery Life	4 years (The external input type is NO) 2 years (The external input type is NC or Pulse)
Casing	PC + ABS

Temperature

Measuring Range	−15 °C to +65 °C (+5 °F to +149 °F) (indoor)
Measuring Precision	±1 °C (±1.8 °F)
Resolution	1 °C (33.8 °F)

Specification

Sensor	Reed Switch
Scenario	Non-metal doors
Movement Distance	< 40 mm (1.57")

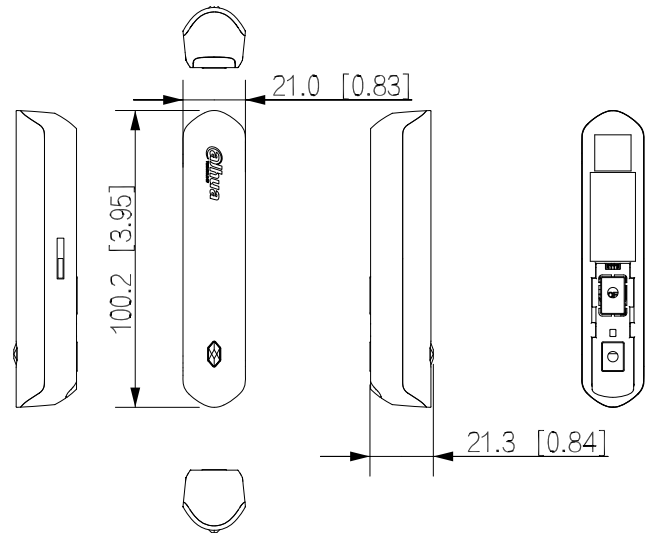
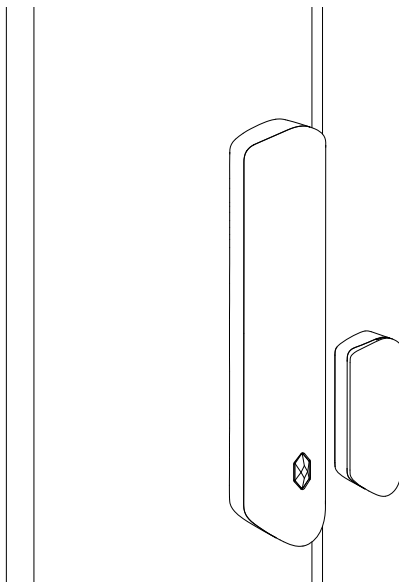
Peripherals

External Zone	1-channel dry contact input
---------------	-----------------------------

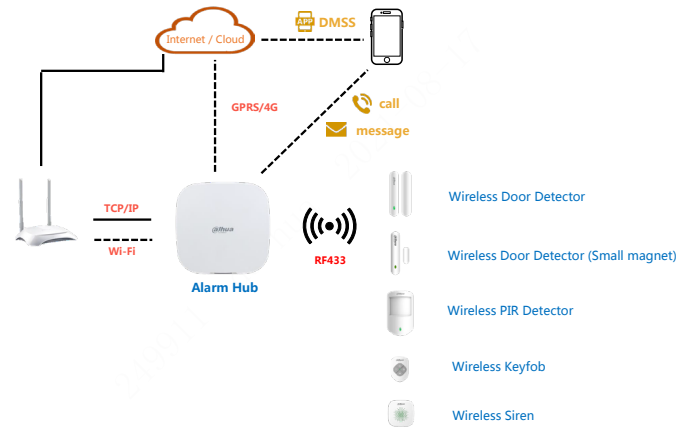
Ordering Information

Type	Model	Description
Wireless door detector	DHI-ARD323-W2(S)	Wireless door detector

Installation



Application



Dimensions (mm[inch])

