

DHI-ARC2016C-V3

Alarm Controller



System Overview

Driven by its advanced control technology and powerful data transmission capabilities, this series of alarm controller ensures the reliable, stable running of the entire system. This high security series supports being used locally, without networking, and being networked to form a powerful security monitoring system. When used along with professional alarm platform software, it fully displays its powerful networking and remote monitoring capabilities.

Scene

It is suitable for security use in scenes, such as schools, shops, factories, financial fields, legal fields and smart communities.

Technical Specification

Input/Output

Alarm Input	16 x channel local inputs (expandable to 80 channels)
Alarm Output	4 x channel local outputs (expandable to 84 channels)

Interface

Network Port	2 x RJ-45 10/100 self-adaptive Ethernet ports
Telephone Line	1-ch PSTN
Keyboard	32 x LCD keypads
Storage Battery	1 x port (battery: 12 VDC/7 Ah)
RS-232	1
Indicator Light	3 x function indicators
Button	1 x forced start button; 1 x default jumper; 1 x factory default jumper
RS-485	2 (keypad, expansion module, and printer)
Buzzer	1

- 16-channel local alarm input (expandable to 80 channels); supports NO/NC detector, detector tamper, short circuit and mask alarm.
- 4 channel alarm outputs (expandable to 84 channels), along with forced start/shutdown, auto control, and alarm linkage.
- Multiple zone types, such as instant zone, delayed zone, and 24-hour silent zone.
- Alarm input/output port circuit protection.
- Supports fault alarms, including controller tamper alarm, keypad tamper alarm, power failure alarm, battery failure alarm, battery undervoltage alarm, PSTN offline alarm, network disconnection alarm, IP conflict alarm, and MAC conflict alarm.
- 2-channel RS-485 ports; up to 32-channel keypads; printer connection.
- Emergency alarms, such as fire, medical and duress alarm.
- CID (Contact ID Protocol); reuses landline telephone port (personal call requires customized PSTN hardware module).
- Configuration method includes keypad and web; quick configuration guide; remote configuration and search.
- Up to 8 subsystems; single zone and subsystem arming/disarming; arming/disarming with keypad, IC card and other methods.
- Supports 3 alarm receiving center at the same time, supports 3 different alarm reporting strategies.
- High-volume log search function.
- Remote update.
- Multiple device recovery methods.
- Two Ethernet ports and two wired alarm centers.

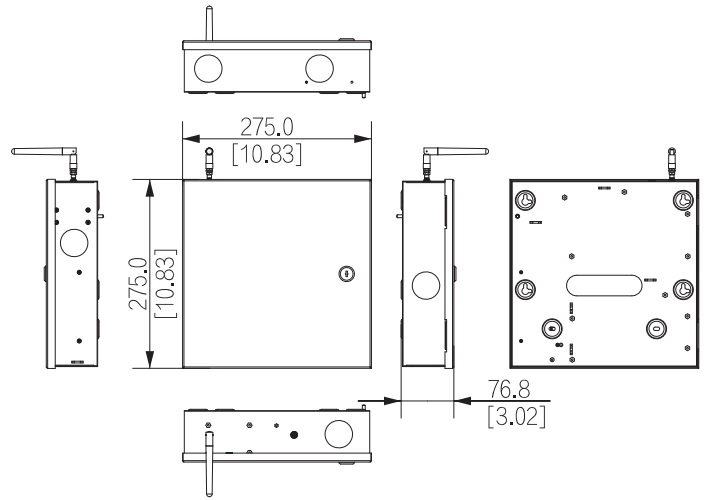
Function

Tamper Alarm	Controller tamper; housing tamper
Auxiliary Power Output	1 x 12 VDC, 1 A
Network Protocol	TCP/IP, DHCP, static IP
Remote Update	Yes
Arm and Disarm	Keypad; IC card; web; platform
Log	20,000
Power Failure Protection for Configured Parameters	Yes
Search Remote Alarm Event	Yes
User Management	64 network users and 200 keypad users
Access Configuration	Keypad; web
Search	Configurations; system logs; zone faults; system faults; program versions
Language	English

General

Power Supply	100–240 VAC, 50/60 Hz
Power Consumption	Idling: 5 W Full load: 60 W
Operating Environment	–10 °C to +55 °C (+14 °F to +131 °F) 10%–90% (RH)
Product Dimensions	275 mm × 74.8 mm × 275 mm (10.83" × 2.94" × 10.83") (L × W × H)
Packaging Dimensions	375 mm × 155 mm × 312 mm (14.76" × 6.10" × 12.28") (L × W × H)
Installation	Wall mount
Net Weight	2.1 kg (4.63 lb)
Gross Weight	2.5 kg (5.51 lb)
Certifications	FCC; CE

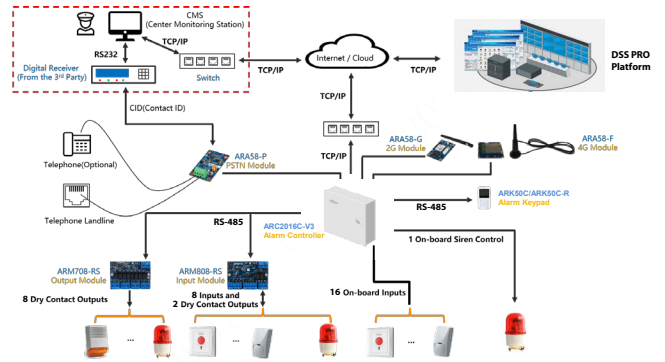
Dimensions (mm [inch])



Ordering Information

Type	Model	Description
Alarm controller	DHI-ARC2016C-V3	Alarm controller
	DHI-ARC50C-R	Alarm keypad (supports card)
Accessories (Optional)	DHI-ARC50C	Alarm keypad
	ARM708-RS	Output module
	ARM808-RS	Input module
	ARA58-P	PSTN module
	ARA58-G-EN	2G module
	ARA58-F-EN	4G module

Dimensions (mm [inch])



Installation

