



FLASHBOX™

ACCESS IN A FLASH

- » Heavy Duty Construction with Patented Serial Optical Communication Technology
- » Open Using a Smart Device
- » No App Required to Receive Access
- » Duration Limited Access Codes



Indicators

Multi-Colored LED Lights
& Beeper



Ultimate Convenience

Grant Access via Text or Email
to any Web-Enabled Device



Security

Patented Serial Optical
Communication Technology

- » **Grant Temporary Access Via Text Message to Contractors, Inspectors, Property Managers, or Guests**
- » **Conveniently Adjust Access Permissions Anytime**
- » **Provides Secure Storage for Keys, Access Cards, and More**



FlashBox™

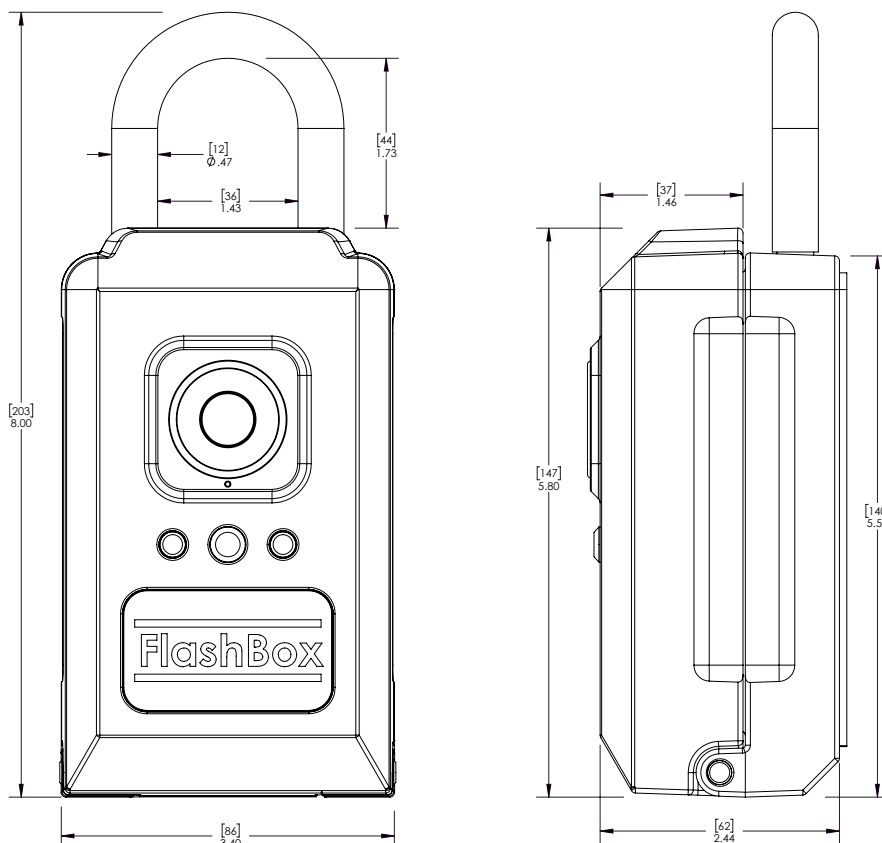
Part Number: FL-BOX-01S

CAW	Version 8.0	Version 9.0 (or newer)
Enterprise	<input type="checkbox"/>	<input checked="" type="checkbox"/>
Basic	<input type="checkbox"/>	<input type="checkbox"/>

FlashBox is a keyless lockbox that facilitates access control using a web-enabled device.

Specifications

Physical	Powder coated aluminum box with rubber coated stainless steel shackle
Operating Temperatures	-4° to 140° F, -20° to 60° C Below 14° F, (-10° C) battery capacity significantly reduced*
Dimensions	8" L x 3.4"W x 2.44" H (203 mm x 86 mm x 62 mm)
Weight	55 oz (1550 g) with shackle, 48 oz (1350 g) without shackle
Power	4AA batteries, field replaceable (supplied with Alkaline, Lithium recommended for cold weather)
Visual Indicators	3 multicolored LED indicator lights
Audio Indicator	Beeper
Access Option	Serial optical with web device, IR with fob, Encoder I/O, CK-FLASH, CK-AIR2
Management Option	Encoder I/O
Software	CyberAudit® Enterprise 9.0 (or newer) with FlashLock SEM, or myflashlock.com
Battery Life	Alkaline: up to 1 year; Lithium: over 1 year



Notes:
Dimensions in inches (mm)
Drawing not to scale
Ø indicates diameter

* Suggest lithium batteries if in cold temperature long term