



KEY TUBE LOCK

ELECTRONIC CYLINDERS RETROFIT INTO EXISTING KEY TUBES



- » Easy Installation
- » No Hardwiring or Modification Required
- » Affordable
- » Audit Trails and Denied Access Reports



Increased Accountability

Time-stamped access record in both the lock and the key



Key Control

Manage contractor routes



Physical Security

Unique, sealed design negates standard picking techniques

The use of the CLT-KT1 allows building managers to track and control access to key tubes. Key tubes secure mechanical keys that provide entry to doors, cabinets, and other facility access points. The CLT-KT1 allows only authorized personnel, using a CyberKey, to gain access to the key tube. The CLT-KT1 expands the locking strategy for building security while maintaining convenience to users such as contractors and mobile service technicians.



Part Number: CLT-KT I

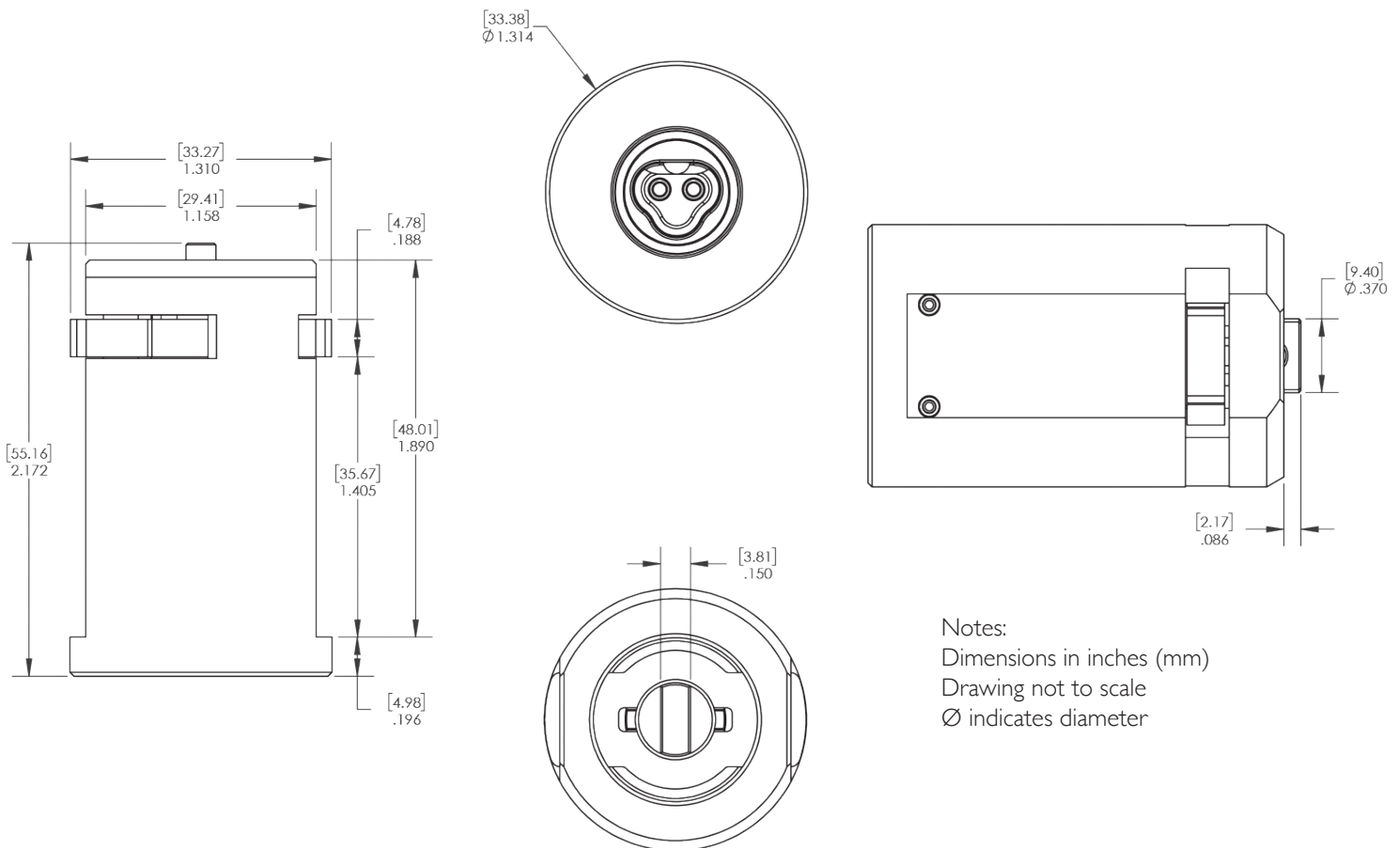
CyberLock is a key-centric access control system designed to increase security, accountability, and key control. Based on a unique design of electronic lock cylinders and programmable smart keys, CyberLock solves security problems that no other system can.

Quickly schedule and review access with the powerful CyberAudit-Web software. Permissions for each lock and key can be changed effortlessly, enabling precise control over access to every entry point. Email alerts and audit reports keep management informed of each person's activities, including denied access attempts.



Specifications

Physical	Nickel plated brass and stainless steel
Operating Temperatures	-40° to 160° F, -40° to 70° C, non-condensing
Weight	11.3 oz (321 g)
Power	None, power supplied by key
Compatible Keys	Compatible with all CyberKeys including Bluetooth and Wi-Fi CyberKeys Rechargeable or replaceable battery CyberKey options available
Audit Capacity	Up to 1,100 open/lock events
Hardware Features	No keyway to pick, attack resistant torque break
Electronic Features	Access schedules, delayed entry, multiple key custody, electronic rekeying



Notes:
 Dimensions in inches (mm)
 Drawing not to scale
 \varnothing indicates diameter