



# CYBERKEY X

## EXTENDED MEMORY

CyberKey X with **Infrared** Technology, 2MB Flash Memory, and a Replaceable Battery



### Extended Memory

2MB Flash Memory



### Ultimate Convenience

Replace the Battery in the Field



### Greater Flexibility

Individually Manage Fully Customizable Permission Schedules and Record Audit Trails

» **Replaceable 3 Volt Lithium CR2 Battery**

» **2MB Flash Memory Stores:**

**Up to 12,000 Lock List**

**or**

**Up to 12,000 Audit Events**

**or**

**Up to 100 Lock Downloads**

» **IR Communications for Use with the IR Encoder 10**



## CyberKey X, Replaceable Battery, Infrared

Part Number: CK-X

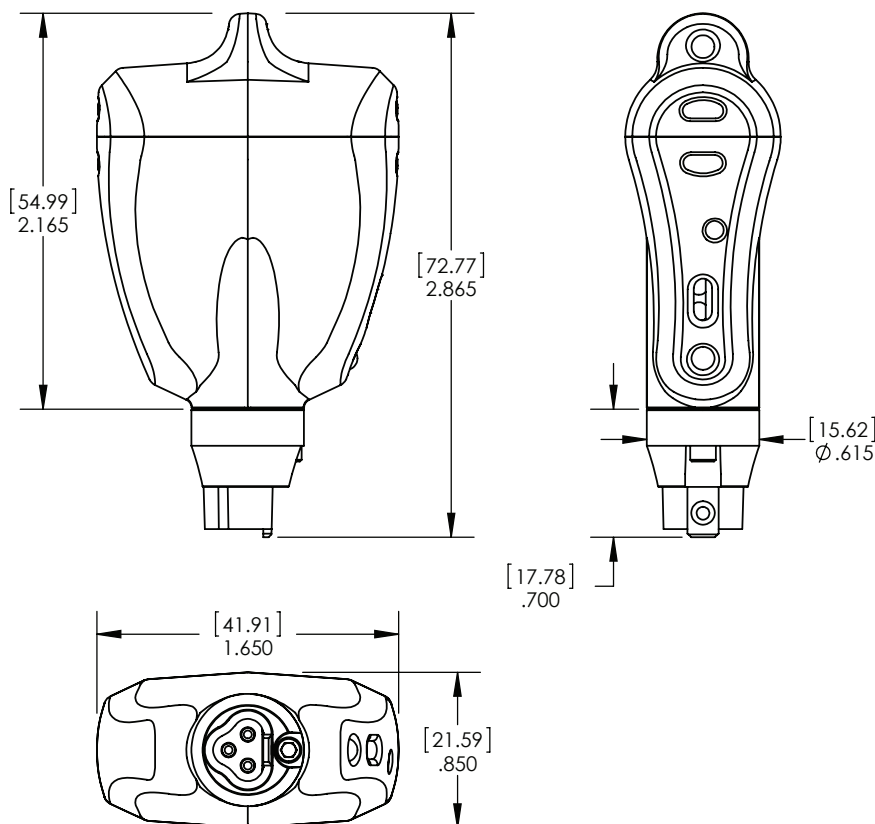
CAW	Version 8.0	Version 9.0 (or newer)
Enterprise	☑	☑
Basic	☑	☑

The CyberKey X is an electronic key used to operate CyberLock cylinders. It has memory that contains encrypted access codes, a list of locks it may access, schedules of authorized dates and times it may access locks, and a begin-end date range during which the key will operate. The battery from a CyberKey energizes the electronics within a CyberLock cylinder.



### Specifications

<b>Physical</b>	Fiberglass reinforced nylon, replaceable brass tip
<b>Operating Temperatures</b>	32° to 122° F, 0° to 50° C
<b>Dimensions</b>	2.87" H x 1.65" W x 0.85" D (72.8 mm x 41.9 mm x 21.6 mm)
<b>Weight</b>	1.5 oz (43.1 g)
<b>Power</b>	3V lithium CR2 battery, field replaceable
<b>Visual Indicators</b>	Green indicator light
<b>Audio Indicator</b>	Embedded speaker
<b>Memory</b>	2 MB for up to 12,000 audit trail events and up to 12,000 locks with Lock List Filtering SEM
<b>Compatible Communicators</b>	Encoder 10, USB Station, Web Authorizer, and all Gen 2 communicators



Notes:  
 Dimensions in inches (mm)  
 Drawing not to scale  
 Ø indicates diameter