

Conway Alpha Receiver

The Alpha telemetry receiver is one of a range of telemetry receivers manufactured by Conway. Telemetry control can be obtained through the RS485 medium or via Conway's up the coax method. A small module for each method plugs onto the main receiver PCB, configuring the receiver accordingly.

The Alpha receiver is suitable for both Colour and Monochrome CCTV systems where AC Pan & Tilt heads and the control of a Zoom lens is required. Alpha receivers can be mounted within a range of Conway camera housings or alternatively, inside a purpose built weatherproof wall mount box constructed from stainless steel.

Pan & Tilts

The output drives are provided from robust relay drives, suitable for driving both 240V ac and 24V ac heads

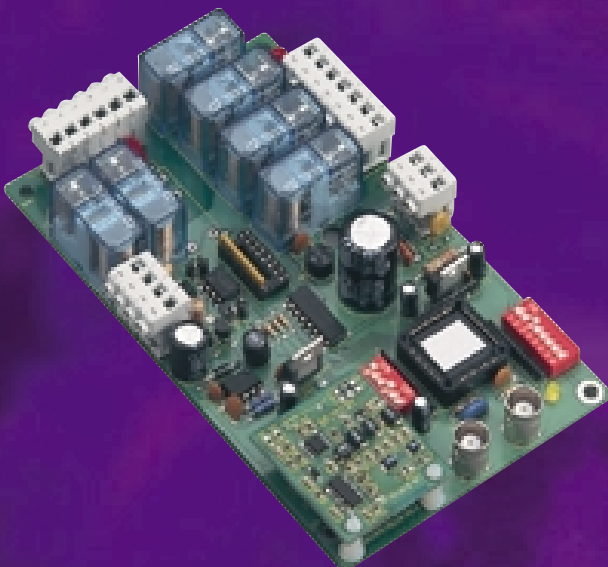
Lenses

The Alpha receiver offers both Zoom and Focus functions controlling both 4 wire and 3 wire lenses through a variable output lens drive circuit. 2 Lens speeds are available to accommodate different types of lens motors.

Relay outputs

Wash and wipe relays are provided.

Conway Alpha Receiver



Compact design

Simple to install

PCB format

*Suitable for mounting
in Conway range of housings*

*RS485 or coaxial
communications*

Pan & tilt

Zoom & focus

Wash

Wipe

Plug-in terminals

*240V ac or 24V ac
pan & tilt heads*

*Compatible with
all Conway
telemetry products*

*BNC connector for
camera and cable*

*Stainless steel
weatherproof boxes available*

Timed wash



Alpha Receiver

D02-1 issue 1 – 11/03/99

Page 1 of 2

Conway Alpha Receiver

Technical Specifications

Video Input

BNC connector

Video Output

BNC connector

Communications

RS485 or Coaxial
(using RF Matrix)

Zoom and Focus lens drive

Variable speed to suit 6V
and 12V lens, 4 wire or 3 wire
configuration

Pan & Tilt relays

4 Relays for operating AC Pan
& Tilt heads. Relays are rated
at 240V ac 3 Amps

Auxiliary relays

2 Relays are provided for
Wash & Wipe functions
240V ac 1 Amp

Weight

PCB only 200g

Size PCB

92x155x30

Power supply

9V ac (Conway part txdel9v)

Power consumption

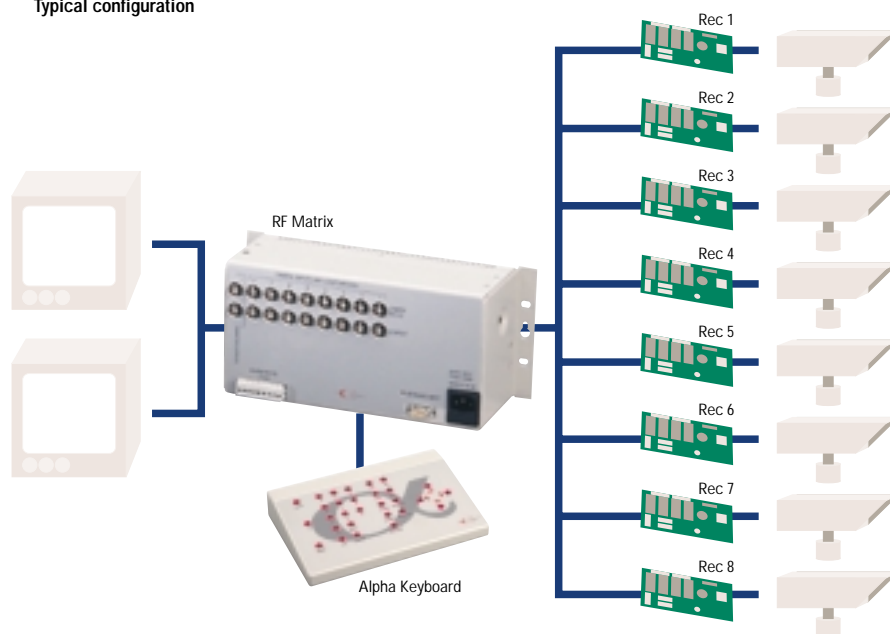
Approx. 20Va with all relays
energised

Operating temperature

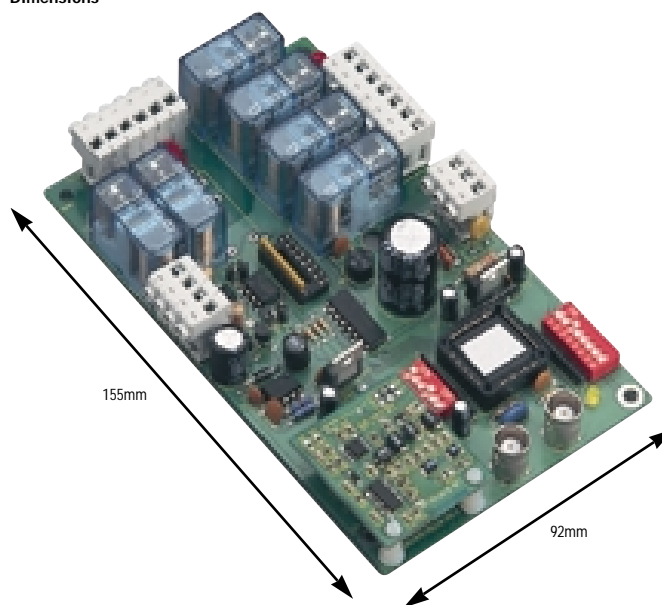
-10C to +45C

Dimensions are all millimetres.

Typical configuration



Dimensions



Due to a policy of continual improvement, specifications may be subject to change.

Alpha Receiver

D02-1 issue 1 – 11/03/99

Page 2 of 2



Seymore House, Copyground Lane, High Wycombe, Bucks HP12 3HE
Tel: 01494 461373 Fax: 01494 531685 www.conway-cctv.co.uk

