

## T21Z5816AMSP-CS

21X 5.8~121.8mm F1.6

for 1/3" format cameras

CS-Mount

with Preset & Remote Controls

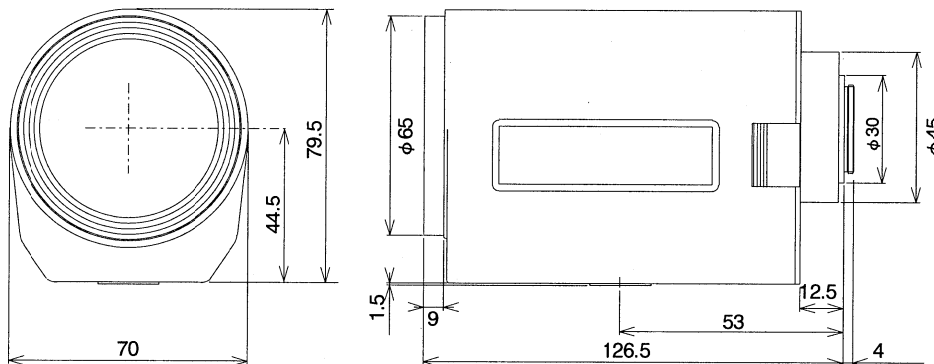
<b>Model No.</b>	T21Z5816AMSP-CS		<b>Effective</b>	<b>Front</b>	φ53.2 mm
<b>Focal Length</b>	5.8~121.8 mm		<b>Lens Aperture</b>	<b>Rear</b>	φ10.6 mm
<b>Max. Aperture Ratio</b>	1:1.6		<b>Back Focal Length</b>	13.6 mm	
<b>Max. Image Format</b>	4.8X3.6 mm (φ6 mm)		<b>Flange Back Length</b>	12.5 mm	
<b>Operation</b>	<b>Iris</b>	Auto Iris, F1.6~560	<b>Mount</b>	CS-Mount	
	<b>Focus</b>	Motorized Preset, 1.5m~Inf.	<b>Filter Size</b>	M62×0.75 mm	
	<b>Zoom</b>	Motorized Preset, 5.8~121.8mm	<b>Tripod Screw</b>	1/4"-20UNC	
<b>Object Dimension at M.O.D.</b>	<b>5.8 mm</b>	123.7×91.1cm	<b>Dimensions</b>	W70×H81×D126.5 mm	
	<b>121.8mm</b>	6.0 × 4.7 cm	<b>Weight</b>	740 g	
<b>Angle of View</b>	<b>D</b>	55.5° ~2.9°			
	<b>H</b>	1/3" 44.8° ~2.3°			
	<b>V</b>	33.8° ~1.8°			
<b>Control</b>	<b>Iris</b>	<b>Focus</b>	<b>Zoom</b>		
Supply Voltage	DC 8.5~16 V	DC 8 V	DC 8 V		
Current	40 mA or less	45 mA or less	50 mA or less		
Transit Time	Approx. 4 sec.	Approx. 5.5 sec.	Approx. 5.0 sec.		
<b>Preset Potentiometer</b>	—	5 KVR	5 KVR		
<b>Light Weighting Method</b>	Adjustable between Average - Peak (to be set at Average at factory)				
<b>Remote Control</b>	Level (V <sub>L</sub> 1.5~5.5V) & ALC (V <sub>A</sub> 4.0~5.5V)				
<b>Input Signal</b>	Video Signal (V or VS)				
<b>Iris Accuracy</b>	± 15% at Video Signal Level				
<b>Sensitivity Adjustment</b>	0.5~1.0Vp-p (Video Signal)				
<b>Input Impedance</b>	High Impedance				
<b>Operating Temperature</b>	-10° C ~ +50° C				

1/3

CS

M.O.D. : Minimum Object Distance

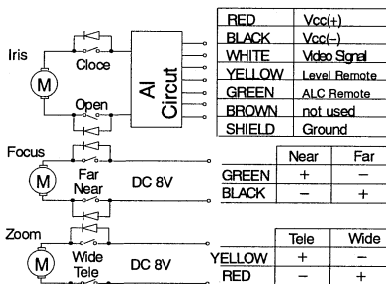
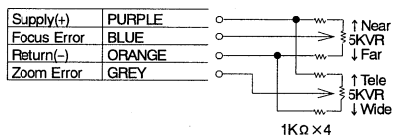
### Dimensions



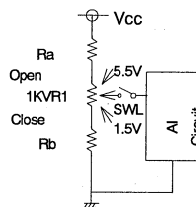
ZA

### Wiring Diagram

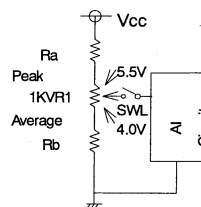
#### PRESET POTENTIOMETER



#### Level Remote



#### ALC Remote



Remarks: Connect together with Black (Focus) and Red (Zoom) for common system when necessary.

Subject to change without notice

Printed in Japan

Mar.'97