

VST-892 Series PIR Motion Sensor Camera

Optimum Camera Coverage Premium Image Quality



- Installation Height: 2.3 m-2.5 m
- Anti-masking
- Pet Immunity Adjusted by Jumper Switch
- Night Illumination
- Enhanced Data Transfer Speed

VST-892 is a new, feature-rich PIR motion sensor camera, delivering installation flexibility and optimum performance at 2.3-2.5m. VST-892 can be pet immune or non-pet-immune simply by adjusting built-in jumper switch. Besides, anti-masking feature enables VST-892 to detect any attempt to blind the detector by placing objects in its field of view.

The installation height is the highest than any previous generation, which reduces the possibility of being sabotaged. VST-892 is enhanced with eliminated blind spot and will not detect pets up to 25 kg to minimize false alarm situation. With night illumination capability, VST-892 can still get sufficient light for image capture under low lighting condition. With wide-angle camera lens, VST-892 features complete coverage with no blind spots, plus its combination of color VGA/QVGA images ensures that all details vital to visual alarm verification are promptly notified to users.

Leveraging F1 technology, VST-892 provides long RF communication range, enhanced penetration and sensitivity rate, immediate image transfer rate, and advance dynamic speed adjustment algorithms. With the compatibility with Climax Repeater RP-29 and RMB-29 series, VST-892 can be flexibly set up on large or complicated premises.

Features

- Advanced Dynamic Speed Adjustment Algorithms to maintain stable and fast image transfer speed based on signal quality
- Installation height: 2.3-2.5m
- Pet immunity enabled / disabled by adjusting jumper switch
- Eliminated blind spot
- Pet weight: up to 25 kilograms
- Wide camera field of view leaves no blind spots
- Two adjustable sensitivity levels: High / Normal
- Captures one, three, or six images when irregular motion is detected
- Three alarm image processing options:
 - One color VGA (640x480 pixels) alarm images
 - Three color QVGA (320x240 pixels) alarm images
 - Six color QVGA (320x240 pixels) alarm images
- Delivers one image upon request
- LEDs indicate faults and test modes
- Anti-masking feature allows for detection of any attempts to blind the detector
- Night illumination capability
 - Warm white fill light covering up to 5 meters
 - Infrared (IR) fill light covering up to 7 meters outdoor, 10 meters indoor (room size limited to 10m x 6m)
- F1 technology accelerate the speed of signal transmission, boosts communication range
- Regular supervision signals ensure proper operation
- Tamper protection to prevent unauthorized sabotage
- Low battery detection
- Wall bracket for flexible installation
- Optional mounting accessory: Rotating holder
- Suitable for security and home automation usage
- Compatible with Climax's F1 gateways/control panels and Repeater RP-29 / RMB-29

VST-892 Series PIR Motion Sensor Camera

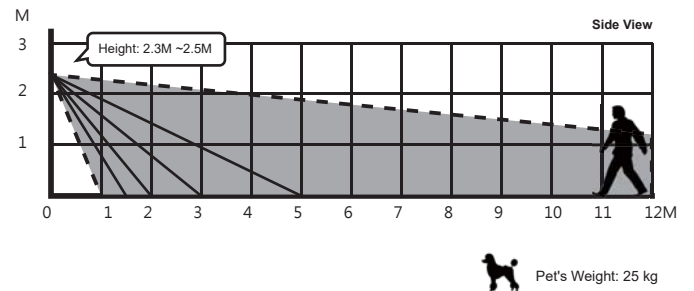
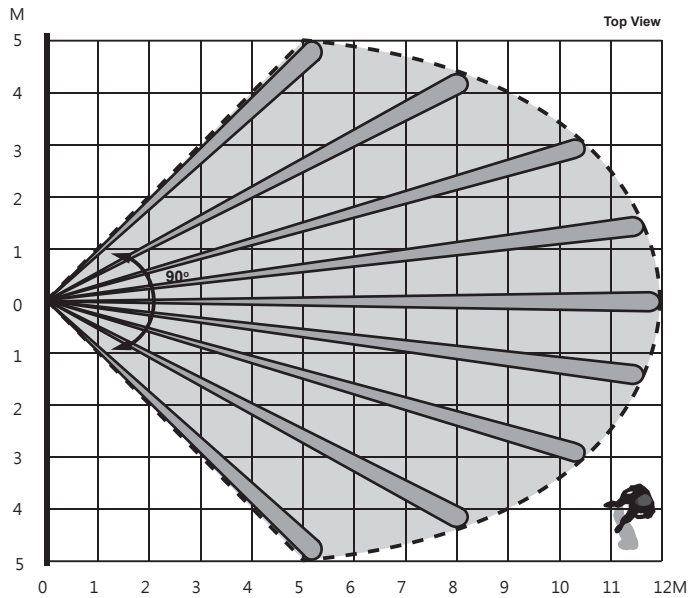
Specifications

PIR Motion Sensor	
Range	10 meters
Horizontal Angle	90° degrees
Installation Height	2.3-2.5 meters
Camera	
Lens	VGA CMOS Camera
Field of View	(H) 102° degrees
Resolution	640 x 480 pixels or 320 x 240 pixels
Night Illumination	Warm white fill light covering 5 meters (VST-892) Infrared (IR) fill light covering 7 meters outdoor, 10 meters indoor with room size limited to 10m x 6m (VST-892-IL)
Mechanical	
Frequency	F1 868 MHz / F1 433 MHz
Power Source	3V, CR123A Lithium battery x 3 1.5V, AA Alkaline battery x 2
Battery Life	Lithium: 8 years* Alkaline: 4 years*
Range	400 m - 900 m in open space
Data Rate	10k, 20k, 30k, 50k, 80k
Mounting Options	Wall / Corner mount Optional accessory: Rotating holder
Rotating Angles (with Rotating holder)	Vertical: 70° angle Horizontal: 80° angle
Operating Temperature	-10°C to 45°C (14°F to 113°F)
Operating Humidity	Up to 85% non-condensing
Dimensions	VST-892: 63 mm x 123 mm x 45 mm Rotating holder: 70 mm x 50 mm x 34 mm

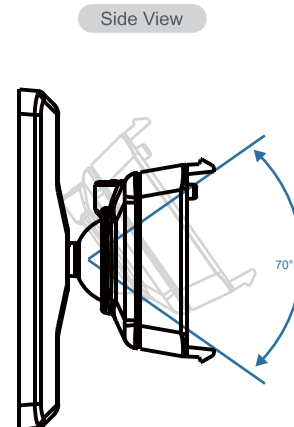
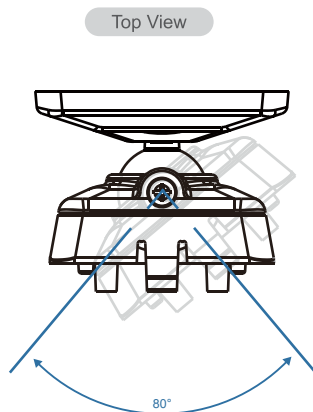
* Note: Actual battery life may vary with product settings, operating environment, and usage patterns.

VST-892 Series PIR Motion Sensor Camera

PIR Detection Range



Compatible with Rotating Holder (Optional)



Ordering Information

VST-892	PIR Motion Sensor Camera with warm white fill light
VST-892-IL	PIR Motion Sensor Camera with infrared (IR) fill light
Rotating holder	Optional mounting accessory