

## CV9600(S)-X-2B Powerful Access Control + Time Attendance System with Display

CV9600(S)-X-2B is high level access control terminal with time attendance function with Display. It is a contactless reading MIFARE® Secure Sector or read only (UID) device that supports ISO14443A MIFARE®.

The terminal features with stand-alone mode or network mode via RS485 or build-in TCP/IP; 2,000-5,000 cardholders can be registered, events reach up to 10,000. Work modes include Card only, PIN only, or Card+ PIN with backlight keypad. With 15 changeable time group (each time group has 8 days including 1 holiday and each day has 5 time schedule), CV9600(S)-X-2B can meet different regulatory requirements.

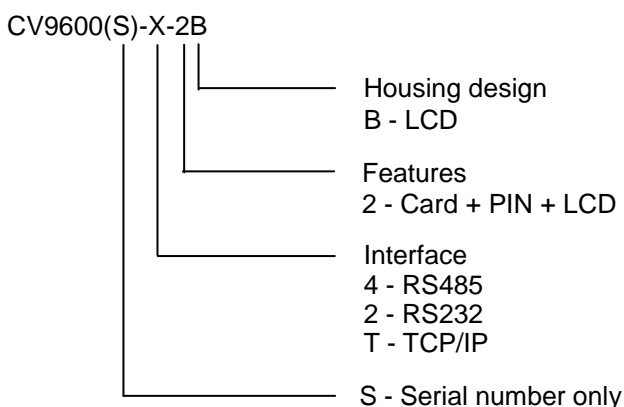
The terminal guarantees that record does not lose. Blue LCD makes it an attractive solution for indoor use. It also features an external reader for anti-passing back (Wiegand port) for high security.

Powerful and friendly application software is offered for access control & time attendance solution with integrated user management, which is designed for single or network management on CV9600(S)-X-2B Terminal by simple one-click solution to literally get complete monthly T&A report for all users. SDK is also open for customer's further development in short time.

### Advantages

- ✚ Stand-alone mode and network mode
- ✚ 2,000 users, expandable up to 5,000
- ✚ 10,000 event records
- ✚ Work mode: Card, Card + Pin, Pin mode
- ✚ Changeable 15 time group, each time group has 8 days including 1 holiday and each day has 5 time schedule
- ✚ Build-in TCP/IP interface
- ✚ PC housing material
- ✚ APB function, external reader for anti-passing (Wiegand port)
- ✚ All I/Os and operating times user keypad programmable
- ✚ 2 inputs and 2 outputs
- ✚ Housing sabotage alarm
- ✚ Dual function for access control and time attendance
- ✚ Watch-dog timer & power on reset

### Order Code



### Product Image



CV9600(S)-X-2B  
120\*90\*25mm

### ➤ The family members are:

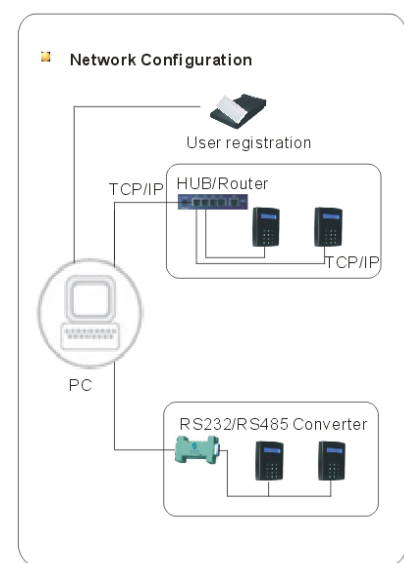
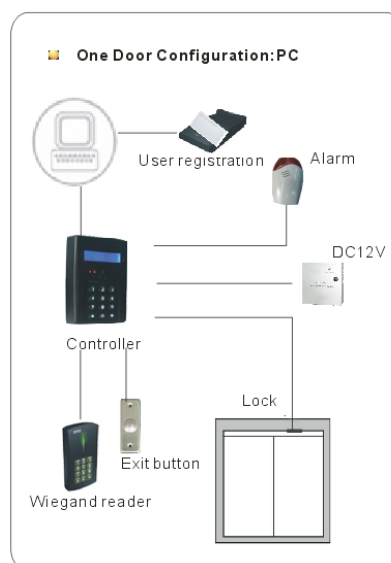
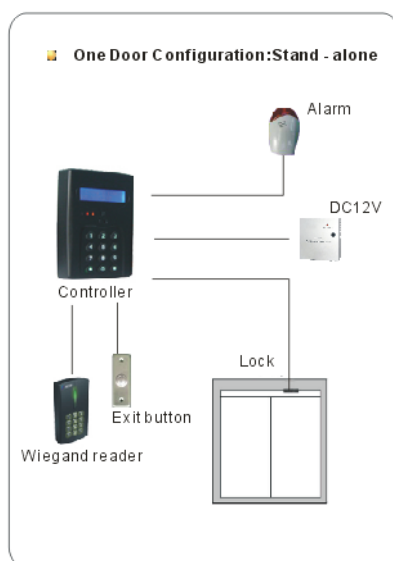
- [CV9600-X-2B](#) MIFARE® Secure Sector
- [CV9600S-X-2B](#) MIFARE® Serial Number Only (UID)

## Specifications

Model	CV9600-X-2B	CV9600S-X-2B
Supporting card	MIFARE® and other ISO14443A compatible card	
Read and Write	Read data from user defined sector of MIFARE® card	Read only UID of MIFARE® classic and other ISO14443A card
Operation Frequency	13.56MHz	
Power Supply	9V DC (9-24V), <200mA	
Cardholder	2,000, expandable to 5,000	
Stand alone	Yes	
Network	Yes, via RS485 (up to 98 units) or build-in TCP/IP	
Interface	RS232, RS485, TCP/IP build-in(as optional)	
Communication	9600 -115200 bit/s (default 9600)	
APB	External Wiegand 26/34 reader	
Operation Mode	Card, Card + Pin, Pin	
Records	Max. 10,000	
Memory	128K Byte EEPROM	
Alarm	1) Door non-closed detection 3) Door broken alarm 5) 90% full of memory	2) Housing sabotage alarm 4) Duress alarm in case of emergency
Keypad	3*4 keypads with backlight	
Display	Blue LCD dots matrix with backlight, 2 lines * 16 characters each line	
Input device	2 inputs (push button, door state sensor)	
Output device	2 relay outputs (lock, alarm)	
Reading distance	50mm (depending on transponder)	
Indicators	Buzzer and LED	
Housing Material	PC	
Temperature range	-20°C ~ +60°C / -4°F ~ +140°F	
Relative humidity	20-95% (non condensing)	

Specifications are subject to change without notice.

## Configuration



## Relative Products



### Software Development Kit

IOAccess SDK is software development kit worked with CiVinTec Access Control & TA terminal for second development. It includes API, Host Demo, user manual and program example. It's developed by C++builder developing tool on Windows Operating system and GCC developing tool on Linux OS, compatible to VC,VB/VB.NET,JAVA,C++,C#.NET, DELPHI etc.



### Access Control & Time Attendance Software

- Access Control Software features to control network of Civintec devices by easy connectivity with PC. It's easy operation suitable for small-to-large sized organizations.
- Time Attendance Software is designed for one-click solution to literally get complete monthly T&A reports for all users. Data can be exported for further processing.



### Hardware Testing Package (HTP)

A plug & play Hardware Testing Package (HTP) is provided to ease your fast testing and evaluation.

Package list:

- Testing Board
- Power supplier
- RS232 cable
- 10 wire cable
- Internet cable
- Testing Cards
- RS232 / RS485 converter



### Relative Hardware

- CV9600S-X-2B Serial Number series can register a few number cards on stand-alone application, and professional desktop reader CN6XX is required for card batch issuing on stand-alone or network application. CN6XX is required for card programming on stand alone or network application
- Full range of cards and tags available to meet complete solution