



# uTouch

Multi-purpose Terminal  
NFC+13.56MHz/125KHz+Biometric



**Physical Access Control**

**Time Attendance Visitor Management**

**Club Membership**

**E-Payment Kiosk**

**uTouch** is Multi-purpose RFID smart card & Biometric Terminal with 7.0 inch capacitive Touch screen for intuitive and comfortable user experience. The reliable and smart terminal benefits to powerful RFID options with NFC supporting peer to peer mode, ISO14443A,ISO14443B,HID i-CLASS, LEGIC compatible, combined with high fast & accurate fingerprint authentication as option. IP & PoE integrated terminal connects directly to the IP network for easy and low cost network system, support WIFI and GPRS/GSM, 3G flexible for wireless communication on any occasion.

With embedded Linux, uTouch fully open robust and strong platform with API and cross Compile for embedded GUI software development flexible used for a wide range of applications as club membership and E-payment, kiosk, time attendance, physical access etc., much more than traditional time attendance single-purpose use terminal.

uTouch is multi-function terminal with powerful hardware flexible used for the most applications, much more than traditional time attendance single-purpose use terminal, such as Access Control, Time Attendance, Visitor Management, Club Membership, E-payment (Kiosk, Vending Machine, Auto Fare Collection)



Kiosk Vending Machine



Auto Fare Collection



Membership Management



Visitor Management



Access Control Time Attendance

► **Advantages**



**Multi RFID smart card options**

ISO18092 NFC (Peer to Peer), ISO14443A/B, MIFARE Ultralight® C, MIFARE®, MIFARE® DESFire® Ev1, MIFARE Plus®, Felica; HID i-CLASS or LEGIC compatible; EM 125KHz



**Reliable biometric fingerprint security**

1:1000 matches in 0.79 second, fingerprint enrollment in two ways with added privacy



**7.0 inch WVGA touch screen**

Intuitive menu for convenient and comfortable user experience



**2.0 M Pixel Digital Camera  
Microphone, Speaker**



**Power Over Ethernet**

- Utilizes PoE enhance stability for low cost installation  
- Build-in battery to ensure operation during power failure



**Versatile communication Interfaces**

WiFi, GPRS, 3G, TCP/IP, USB(Host/Slave), Wiegand, Relay

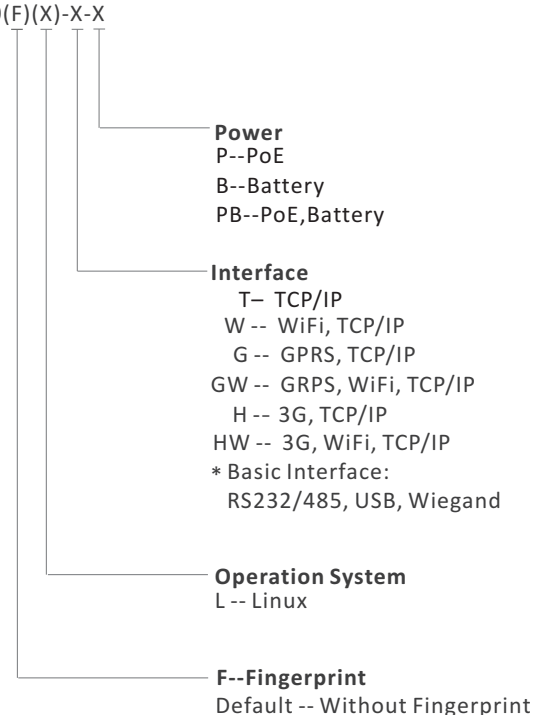


**Secure Access Module**

ISO7816 SAM slot to enhance RF transaction security

► **Order Code**

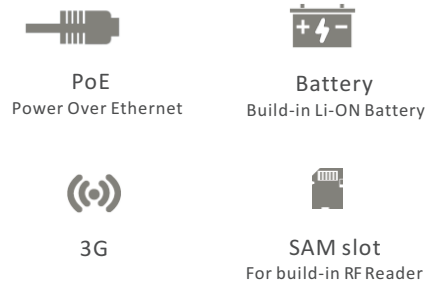
CN8X0(F)(X)-X-X



► **Family Member**

	CN860(F)-X	CN870(F)-X	EN6(F)-X
NFC NTAG203		•	
ISO14443A	•	•	
ISO14443B		•	
Ultralight® C		•	
MIFARE®	•	•	
MIFARE Plus®		•	
DESFire® EV1		•	
Felica		•	
EM125KHz			•

► **Optional Functions on Request**



► **Specifications**

Model	CN860(F)-X	CN870(F)-X	EN6(F)-X
Technology	13.56MHz + Fingerprint (option)		125KHz+ Fingerprint (option)
RFID Standard	ISO 14443A MIFARE®	ISO14443A 4(part 1-4), MIFARE®, MIFARE Plus® and MIFARE®DesFire®EV1, ISO14443B, Felica	EM 125KHz
ISO18092 NFC	-----	NFC (peer to peer)	-----
RFID Card Supported	MIFARE Ultralight®, MIFARE®Classic 1K/4K, MIFARE®Pro/Prox,SLE 55Rxx, SLE66CL160S, other ISO14443A compatible cards	NFC NTAG203, MIFARE Ultralight®, MIFARE® Ultralight®C, MIFARE®Classic 1K/4K, MIFARE® Pro/Prox, MIFARE Plus®, MIFARE®DesFire®Ev1 SLE 55Rxx, SLE66CL160S, SRI 512/2k/4k/X4K,and other ISO14443A/B compatible cards, Sony Felica andHID i-CLASS, LEGIC compatible cards (option)	EM4100, EM4102, EM4200
Operating Voltage	Alternative: ext. power supply DC 9-24V; Power over Ethernet (PoE option), IEEE802.3at; Li-ON battery option		
CPU	Up to 800MHz		
Memory	256MB SLC Nand Flash + 256 MB mobile DDR SDRAM		
Operation System	Linux		
LCD	7.0 inch WVGA touch screen		
Camera	Embedded 2.0M Pixel Digital Camera		
Door Phone	Microphone, 2W/8 OHM Speaker (controllable volume)		
Infrared sensor	Detect approaching people and activate Touch Screen		
Fingerprint	sensor	500dpi Optical Sensor	
	Sensing area	16.0*19.0mm	
	Image size	272*320 pixels	
	FRR/FAR	0.001% / 0.1%	
Fingerprint Identification	1:1 mode; 1:N mode (1:1900; 1:9500 on request)		
Template Capacity	1900 or 9500 on request		
User Capacity	100,000 users		
Log Capacity	1,000,000 events		
Dimension	230*160*45mm		
LED	Bio-color controllable LEDs (Red, Green)		
USB memory slot	2 USB (Host)		
Communication Interface	TCP/IP(RJ45), RS232 / RS485, USB and wireless WIFI, GPRS/GSM, 3G		
Wiegand Interface	2 Wiegand In (Wg26-58) + 1 Wiegand Out(Wg26-58)		
GPIO port	4 input, 4 output		
Relay output	3 relay outputs		
SD card	One Secure Digital card slot.		
Battery	Build-in Li-ON battery , 4.2V/ 2200mAH (option)		
Temper Proof	Yes		
Operating temperature	-0° C ~ +50° C		
Storage temperature	-10° C ~ +60° C		
Operating Humidity	5%~90% relative humidity non-condensing		
Indoor/outdoor	Indoor		

Specifications are subject to change without notice.

► **Related Products**

**Development Kit**



With open platform, Software Development Kit (SDK) is offered for software integration and development by C++ / C language, use Qtopia framework and Qt-Creator development tool. It includes Development Tools, cross-compiler, Dynamic Library, Demo Software, User Manual, Peripheral Operation Examples and System Upgrade Kit, and robust API for RF contactless reader, Fingerprint etc. **uHTP** is plug and play testing and upgrading package, used for software program debugging and upgrading during GUI software development.

**uTouch Software**



PC/Cloud-based GUI & PC software from Partner can be offered with uTouch terminal for multiple application purpose. Friendly GUI software designed with intuitive menu bring advanced and comfortable touch experience for easily management. And powerful PC software solution is designed for single or network management on uTouch Terminal by simply one click. [Read more +](#)

**CIVINTEC is running software partner program with global software partners for various applications. Welcome to join us at uTouch Partner Program.** [Read more +](#)