

Datasheet

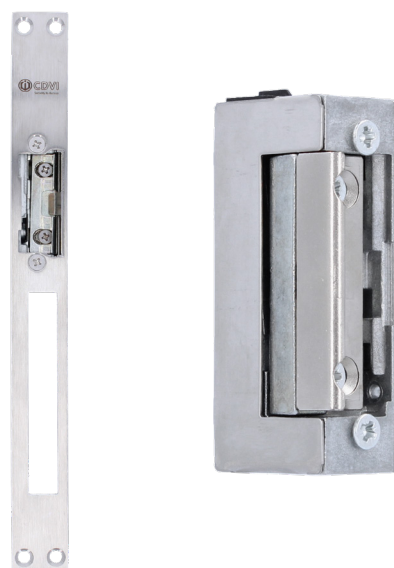
S Range - Symmetrical strikes

Product Description

The S Series strikes are universal, symmetrical and have are supplied with a reversible faceplate ([TG1I](#)) as standard. They are made of Zamac® for a greater strength and have a 4mm adjustable jaw.

These strikes are the most suitable for the market, with a height of 67mm, enabling the range to be integrated into all door configurations.

The diode inside all S Series strikes protects your system against self-inflicted damage to electronic control equipment.



Key Features

- Symmetrical strike, reversible faceplate
- Holding force 3250 N
- Terminal block
- 4 mm adjustable roller
- Dual voltage
- Built-in back EMF protection

 Certification

 DEEE

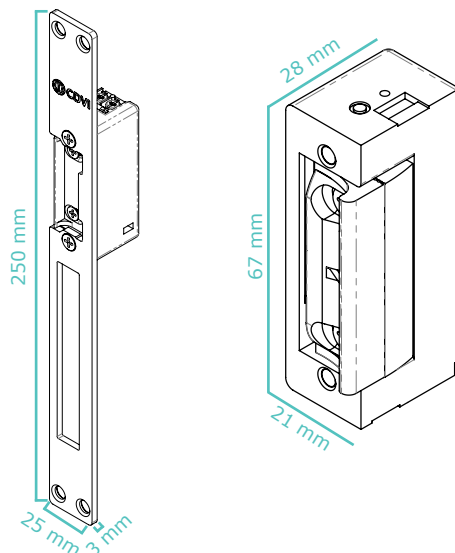
 Certification

 IK10

 -15°C to 50°C

Product Specifications

Material:	Zamac®, Stainless steel
Mounting:	Flush-mounted
Lock mode:	Fail Safe or Fail Secure
Handed:	Non-handed, reversible
Holding force:	3250 N
Cycles tested:	Tested to 300,000 cycles
Jaw type:	Adjustable
Dimensions:	
• Strike:	67 x 21 x 28 mm
• Faceplate:	250 x 25 x 3 mm



Electrical Specifications

Power input: 12 to 24Vdc

Consumption - Fail secure AC/DC:

- 12Vac: 540 mA
- 12Vdc: 630 mA

Consumption - Fail safe:

- 12Vdc: 200 mA
- 24Vac: 100 mA

1-stroke dual-voltage consumption :

- 10/24Vac: 200/460 mA
- 10/24Vdc: 235/550 mA

2-stroke dual-voltage consumption :

- 10/24Vac: 220/530 mA
- 10/24Vdc: 260/630 mA

Accessories



TG1I

Stainless steel reversible faceplate



T290

Stainless steel faceplate with deadbolt cut-out

Range references

F0502000019	SIR12	Symmetrical fail safe strike, 12Vdc
F0502000020	SIR24	Symmetrical fail safe strike, 24Vdc
F0502000047	SR1024	Symmetrical fail secure strike, 10-24Vac/dc, continuous current
F0513000063	T290SR1024	Symmetrical fail secure strike with T290 faceplate, 10-24Vac, continuous current