


BOSCH

Invented for life

UHO Series Outdoor Camera Housing



- ▶ Protects camera/lens combinations up to 262 mm (10.32 inch) length
- ▶ Hinged side opening for easy installation and camera setup
- ▶ IP66, NEMA-4X enclosure rating
- ▶ Strong aluminum construction
- ▶ Sunshield included
- ▶ Cable routing through base or rear of housing
- ▶ Tamper-resistant
- ▶ Continuous low power window defroster
- ▶ Self cleaning glass

The UHO series housings are smartly styled housings, for outdoor use. These housings are both cost-competitive and installer-friendly. Models are available for use with 24 VAC, 115 VAC, and 230 VAC cameras, to fit a wide range of applications.

Functions

Easy installation

The unique, hinged, side-opening design provides easy installation of all camera/lens combinations, and allows access to most camera and lens controls when the housing is mounted. Power, video, and lens control cabling can be routed through liquid-tight fittings in the bottom rear of the housing, or for even better cable management, via the feed-through entry holes in the base. Mounting holes in the base permit installation to a wide range of pan/tilts, adjustable heads, and various camera mount brackets.

Flexible

External 4-pin and BNC connectors for power and video, located in the rear end cap, are also available on 24 VAC and 230 VAC models. These aluminum-constructed housings are available with a factory-installed heater and blower. The heater maintains the internal temperature of the housing in cold temperature conditions as low as -40 °C (-40 °F). In combination with a permanent low-

power window defroster and a continuous-duty blower, the unit minimizes fogging in high humidity locations, and extends the temperature limits. Sunshields are included on all outdoor models.

Dinion ready

All models support installation of Dinion style cameras with fixed focal, varifocal, or up to a 15x motorized zoom lens.

Secure

For increased security, the units come with tamper-resistant screws for the locking clasps to prevent illegitimate access to the housing contents.

Rugged

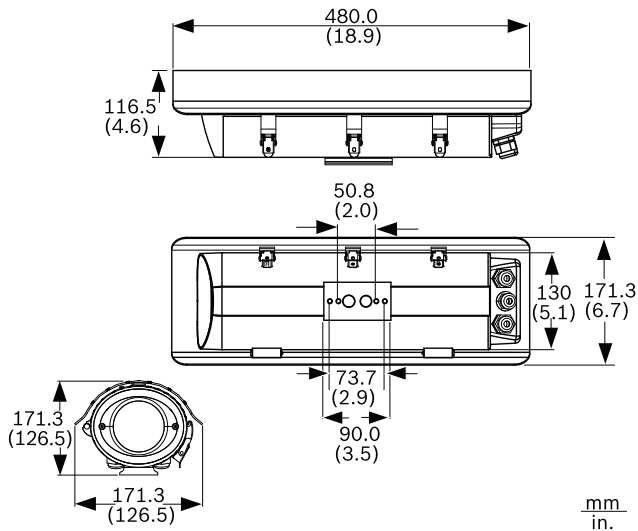
With a sleek design that meets IP 66 and NEMA-4X enclosure standards, the UHO Series Housings are the optimal solution for protecting your video surveillance equipment from adverse elements.

Certifications and Approvals

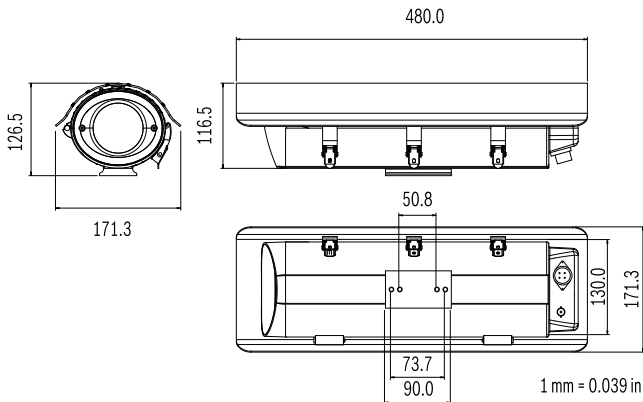
Region	Certification	
Europe	CE	UHO-HGS
		UHO-HGS-50x

Safety	acc. to EN 60950-1 (CE) acc. to UL 2044-1; CAN/CSA C 22.2 no. 1-98
Immunity	acc. to EN 50130-4 (CE)
Emission	acc. to EN 55022 class B (CE) acc. to EN 61000-3-2 (CE); EN 61000-3-3 (CE) acc. to FCC CFR 47 Part 15, Class B

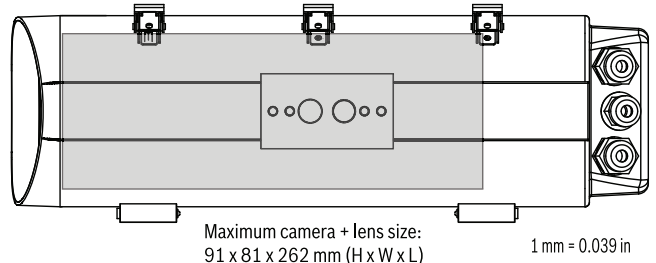
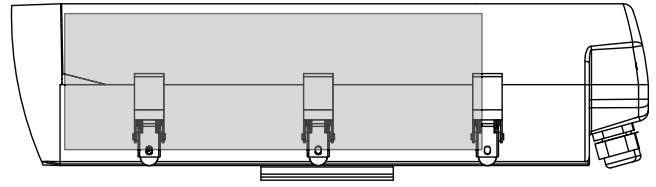
Installation/Configuration Notes



Dimensions in mm for UHO-HGS-10, UHO-HBGS-10, UHO-HGS-50, UHO-HBGS-50 and UHO-HBGS-60 housings outdoor units



Dimensions in mm for UHO-HBPS-10, UHO-HPS-50 and UHO-HBPS-50 housings outdoor units



Dimensions in mm for all models, maximum internal usable space available (based on camera/lens size)

Note Allowance is provided for wiring and connector space requirements

Technical Specifications

Electrical/Mechanical

Rear fitting	1x
cable diameter	4.0 to 7.0 mm (0.16 to 0.28 in)
models	UHO-HGS-10, UHO-HBGS-10, UHO-HGS-50, UHO-HBGS-50, UHO-HBGS-60
Rear fittings	2x
cable diameter	6.5 to 10.5 mm (0.26 to 0.42 in)
models	UHO-HGS-10, UHO-HBGS-10, UHO-HGS-50, UHO-HBGS-50, UHO-HBGS-60
Bottom feeds	2x
cable diameter	4.0 to 7.0 mm (0.16 to 0.28 in)
models	UHO-HGS-10, UHO-HBGS-10, UHO-HGS-50, UHO-HBGS-50, UHO-HBGS-60
Rear connector	1x
type	4-pin (power)
models	UHO-HBPS-10, UHO-HPS-50, UHO-HBPS-50
Rear connector	1x
type	BNC (video)
models	UHO-HBPS-10, UHO-HPS-50, UHO-HBPS-50
Window	3 mm (0.12 in) glass
Locking clasps	Tamper-resistant screws provided
Camera power ratings	10 model: 24 VAC, 50/60 Hz, 1.25 A 50 model: 230 VAC, 50 Hz, 0.25 A 60 model: 120 VAC, 60 Hz, 0.4 A
Camera mounting	Removable camera/lens tray, mounted with two screws

Max camera + lens size (H x W x L)	91 x 81 x 262 mm (3.6 x 3.2 x 10.3 in)
Construction	Aluminum casing, neoprene gaskets, all stainless steel hardware
Dimensions	See drawings
Weight	
UHO-HBG-10,	3.1 kg (6.8 lb)
UHO-HBG-50,	3.1 kg (6.8 lb)
UHO-HPS-50	3.1 kg (6.8 lb)
all others	3.2 kg (7.1 lb)
Mounting	2 x pair of tapped holes
thread	1/4-20
inner pair	50.8 mm (2.0 in) center spread
outer pair	73.7 mm (2.9 in) center spread
Color	Gray
Environmental	
Operating temperature (with fixed lens)*	External: -40 °C to +50 °C (-40 °F to +122 °F) Internal: -20 °C to +55 °C (-4 °F to +131 °F)
Operating temperature (with zoom lens)*	External: -30 °C to +50 °C (-22 °F to +122 °F) Internal: -10 °C to +55 °C (+14 °F to +131 °F)
Enclosure protection	IP66, NEMA-4X

* With heater/blower accessories installed

Ordering Information

UHO-HGS-10 Outdoor Housing for camera/lens up to 262 mm (10.3 in.), 24 VAC, 50/60 Hz, heater, sunshield, feed-through cabling	UHO-HGS-10
UHO-HBGS-10 Outdoor Housing for camera/lens up to 262 mm (10.3 in.), 24 VAC, 50/60 Hz, heater, blower, sunshield, feed-through cabling	UHO-HBGS-10
UHO-HBPS-10 Outdoor Housing for camera/lens up to 262 mm (10.3 in.), 24 VAC, 50/60 Hz, heater, blower, sunshield, outside BNC connector and outside power connector	UHO-HBPS-10
UHO-HGS-50 Outdoor Housing for camera/lens up to 262 mm (10.3 in.), 230 VAC, 50/60 Hz, heater, sunshield, feed-through cabling	UHO-HGS-50
UHO-HBGS-50 Outdoor Housing for camera/lens up to 262 mm (10.3 in.), 230 VAC, 50/60 Hz, heater, blower, sunshield, feed-through cabling	UHO-HBGS-50

Ordering Information

UHO-HPS-50 Outdoor Housing for camera/lens up to 262 mm (10.3 in.), 230 VAC, 50/60 Hz, heater, sunshield, outside BNC connector and outside power connector	UHO-HPS-50
UHO-HBPS-50 Outdoor Housing for camera/lens up to 262 mm (10.3 in.), 230 VAC, 50/60 Hz, heater, blower, sunshield, outside BNC connector and outside power connector	UHO-HBPS-50
UHO-HBGS-60 Outdoor Housing for camera/lens up to 262 mm (10.3 in.), 120 VAC, 60 Hz, heater, blower, sunshield, feed-through cabling	UHO-HBGS-60
Accessories	
LTC 9215/00 Mount Wall bracket for LTC/HSG 948x, HSG9583 and UHI/UHO housings	LTC9215/00
LTC 9215/00S Mount Short wall bracket for LTC/HSG 948x, HSG9583 and UHI/UHO housings	LTC9215/00S
LTC 9219/01 J-Mount Feed-through j mount for LTC/HSG 948x, HSG9583 and UHI/UHO housings	LTC9219/01
HAC-TAMP01 Tamper Switch Tamper switch kit for HSG and UHI/UHO series enclosures	HAC-TAMP01

Americas:
Bosch Security Systems, Inc.
130 Perinton Parkway
Fairport, New York, 14450, USA
Phone: +1 800 289 0096
Fax: +1 585 223 9180
security.sales@us.bosch.com
www.boschsecurity.us

Europe, Middle East, Africa:
Bosch Security Systems B.V.
P.O. Box 80002
5600 JB Eindhoven, The Netherlands
Phone: +31 40 2577 284
Fax: +31 40 2577 330
emea.securitysystems@bosch.com
www.boschsecurity.com

Asia-Pacific:
Robert Bosch (SEA) Pte Ltd, Security Systems
11 Bishan Street 21
Singapore 573943
Phone: +65 6258 5511
Fax: +65 6571 2698
apr.securitysystems@bosch.com
www.boschsecurity.com

Represented by