

Accessories for LCD Monitors

www.boschsecurity.com



BOSCH
Invented for life



- ▶ Fixed wall mount bracket for LCD monitors
- ▶ Swivel and tilt wall mount bracket for LCD monitors
- ▶ Easy to install two piece design brackets
- ▶ Universal rack mount for 15-inch, 17-inch, and 19-inch UML monitors
- ▶ Supports all LCD monitors with a VESA®-compliant pattern

Bosch offers a range of mounting options and power supplies for the UML Series flat-panel monitors.

The Bosch series of Universal Monitor Mounts (UMM) are designed to mount any VESA®-compliant monitor to a wall or in a rack-mount cabinet, up to 12 kg (26.5 lb) in weight. The wall mounts offered in the series of Universal Monitor Mounts (UMM) are the UMM-LW-20B, the UMM-LW-30B and the UMM-WMT-32. The rack mount is the UMM-LCDUB-RM. The ST660 wall mount is ideal for mounting a 37-inch to a 60-inch LCD screen to a wall. The one-touch tilt feature allows adjustment of $\pm 15^\circ$ without the use of tools.

Each wall mount comes in two pieces: a VESA®-compliant mounting plate that attaches to the monitor and a V-shaped wall bracket. Once both pieces of the mount are attached, the monitor slides into the V-shaped bracket on the wall, making installation quick and easy. A set screw secures the two sections of the mount together.

The UMM-LCDUB-RM is ideal for mounting 15-inch, 17-inch, or 19-inch UML LCD monitors. This mount supports dual 8.4-in. and single 8.4- to 19-in. LCD monitors in a standard VESA rack cabinet.

The Bosch UML-202-90 PS Universal Power Supply is compatible with all Bosch LCD monitors up to 19 inches, and provides 12 VDC / 5.0 A output.

Functions

Mounts

Model No.	Mount Type	Maximum Weight
UMM-LW-20B	Fixed Wall Mount Bracket	12 kg (26.5 lb)
UMM-LW-30B	Swivel/Tilt Wall Mount Bracket	12 kg (26.5 lb)
UMM-LCDUB-RM	Rack Mount	9.5 kg (20.94 lb)
ST660	Universal Tilt Wall Mount	90.71 kg (200 lb)
UMM-WMT-32	Tilt Wall Mount	35 kg (77.1 lb)

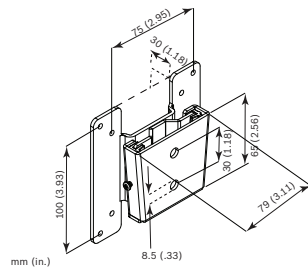
Power Supplies

Model No.	Rated Input	Rated Output
UML-202-PS	100 VAC to 240 VAC, 50/60 Hz, 1.5 A	12 VDC, 5.83 A

Technical specifications

UMM-LW-20B Fixed Wall Mount Bracket

The UMM-LW-20B is a fixed wall mount that is designed for use with any LCD flat-screen, VESA®-compliant monitor, up to 12 kg (26.5 lb) in weight. The mount moves the monitor 1.5 cm (0.59 in.) off of the wall.



UMM-LW-20B Fixed Wall Mount

Mechanical

Fixed Wall Mount Bracket (UMM-LW-20B)

Monitor Type	LCD monitors only
Maximum Weight Capacity	12 kg (26.5 lb)
Swivel Adjustment	360°
Material	Steel
Color	Black
Dimensions	See drawing above
Weight	0.47 kg (1.04 lb)

Parts Included

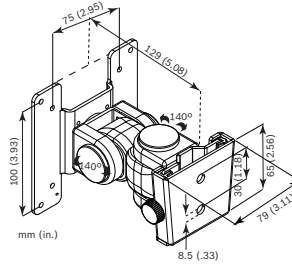
UMM-LW-20B Fixed Wall Mount Bracket

1	VESA® mounting plate, fixed
1	Wall bracket
2	1/4 x 2.0 in. Wedge anchors (for concrete installations)
2	1/2 x 2.0 in. Wood screws
4	M4 x 10 mm Screws
1	Level

UMM-LW-30B Swivel/Tilt Wall Mount Bracket

The UMM-LW-30B is a swivel/tilt wall mount that is designed for use with any LCD flat-screen, VESA®-compliant monitor, up to 12 kg (26.5 lb) in weight. This mount allows you to swivel the monitor 360° to

position it in either landscape or portrait view. The mount also allows you to swivel and tilt the monitor 140° (±70°) for the best viewing angle.



UMM-LW-30B Swivel/Tilt Mount

Mechanical

Swivel/Tilt Wall Mount Bracket (UMM-LW-30B)

Monitor Type	LCD monitors only
Maximum Weight Capacity	12 kg (26.5 lb)
Swivel Adjustment	360°
Swivel Range	140° (±70°)
Tilt Range	140° (±70°)
Material	Steel
Color	Black
Dimensions	See drawing above
Weight	0.84 kg (1.86 lb)

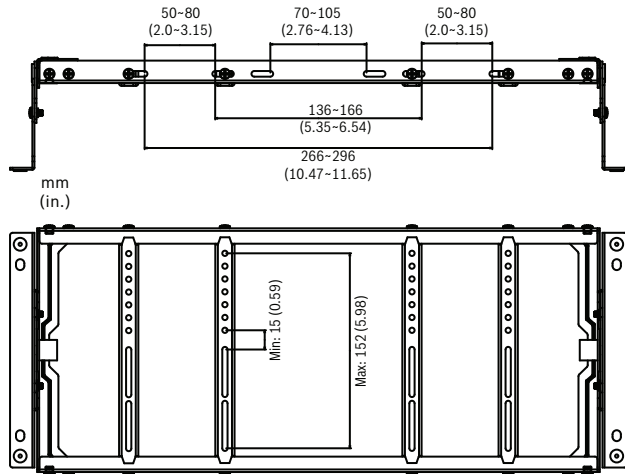
Parts Included

UMM-LW-30B Swivel/Tilt Wall Mount Bracket

1	VESA® mounting plate with swivel/tilt arm
1	Wall bracket
2	1/4 x 2.0 in. Wedge anchors (for concrete installations)
2	1/2 x 2.0 in. Wood screws
4	M4 x 10 mm Screws
1	5/16 in. Allen Wrench
1	Level

UMM-LCDUB-RM

The UMM-LCDUB_RM supports dual 8.4-in. and single 8.4- to 19-in. LCD monitors in a standard VESA rack cabinet.



Mechanical

Rack Mount Bracket (UMM-LCDUB-RM)

Monitor Type	Dual 8.4 in. and single 8.4 to 19 in. LCD monitors
Maximum Weight Capacity	9.5 kg (20.94 lb)
Depth Adjustable	36 to 78.5 mm (1.42 to 3.10 in.)
VESA Mount Support	75 x 75 mm or 100 x 100 mm
Tilt Range	±35°
Dimensions	See drawing above
Weight	Net weight: 1.4 kg (3.1 lbs) Gross weight: 2.0 kg (4.4 lbs)

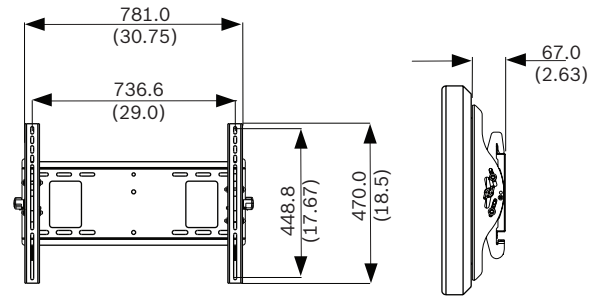
Parts Included

UMM-LCDUB-RM Rack Mount

1	Rack mount Bracket
2	Side Holders
2	Mounting bases for 8.4 in. and 10.4 in. monitors
16	M3 x 4, M4 x 20, M5 x 4 Phillips Screws
10	Cosmetic plates (5 sets of 2)

ST660 Universal Tilt Wall Mount

The ST660 mount includes a universal screen adapter to accommodate mounting holes spaced up to 736.6 mm (29 in.) horizontally and 448 mm (17.67 in.) vertically and up to 90.71 kg (200 lb) in weight. In addition, the universal bracket easily hooks onto the wall plate for fast installation.



mm
in.

ST660 Universal Tilt Wall Mount

Mechanical

Universal Tilt Wall Mount (ST660)

Monitor Type	For 37-in. to 60-in. LCD monitors only
Maximum Weight Capacity	90.71 kg (200 lb)
Tilt Range	30° (±15°)
Mounting Surfaces	Wood stud, concrete, cinder block, and metal stud ¹
Material	Scratch-resistant fused epoxy
Color	Black
Dimensions	See drawing above
Weight	3.6 kg (8.02 lb)

¹Metal stud accessory required.

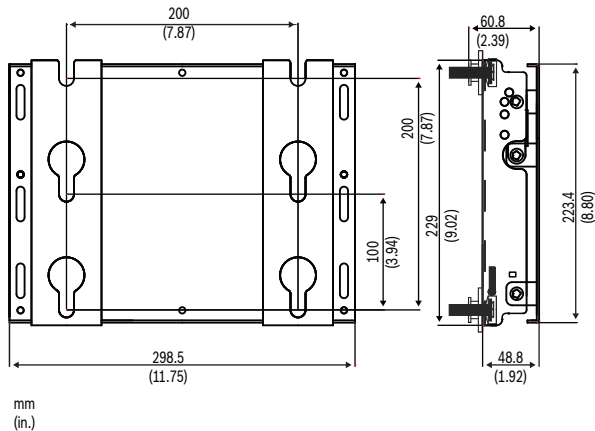
Parts Included

ST660 Universal Tilt Wall Mount

1	Wall plate (double stud)
1	Left tilt bracket
1	Right tilt bracket
4	#14 x 2.5 in. Wood screws
4	Alligator® anchors
1	4 mm Allen Wrench

UMM-WMT-32 Tilt Wall Mount

The UMM-WMT-32 wall mount accommodates a 32-inch LCD monitor with mounting holes spaced 200 x 200 mm (7.87 in.) or 200 x 100 mm (3.94 in.) horizontally and vertically. The mount can support a monitor up to 35 kg (77.1 lb) in weight, and can tilt the monitor 20°.



UMM-WMT-32 Tilt Wall Mount

Mechanical

Tilt Wall Mount (UMM-WMT-32)

Monitor Type	For 32-in. LCD monitors
Maximum Weight Capacity	35 kg (77.1 lb)
Tilt Range	20°
Material	Steel
Color	Black
Dimensions	See drawing above
Weight	2.5 kg (5.5 lb)

Parts Included

UMM-WMT-32 Tilt Wall Mount

1	Wall mount bracket
4	Plastic holders
4	M6 x 35 screws
4	Washers
6	Plastic wall anchors
6	Anchor bolts
2	Safety pins

UML-202-PS Universal Power Supply

Electrical

Rated Input	100 VAC to 240 VAC, 50/60 Hz, 1.5 A
Rated Output	12 VDC, 5.83 A

Ordering information

UMM-LCDUB-RM Rack Mount Bracket for LCD Monitors

Supports dual 8.4-in. and single 8.4- to 19-in. LCD monitors in a standard VESA rack cabinet

Order number **UMM-LCDUB-RM**

UMM-LP-10B Pipe Mount

Pipe mount with ball joint, 10-in. stem and pipe coupling, black

Order number **UMM-LP10B**

UMM-LW-10B Flange/Wall Mount

Flange/wall mount with ball joint, 12-in. stem and wall flange, black

Order number **UMM-LW10B**

UMM-LW-20B Fixed Wall Mount

Fixed wall mount that supports a flat panel LCD monitor up to 12 kg (26.5 lb) in weight, black

Order number **UMM-LW-20B**

UMM-LW-30B Swivel/Tilt Wall Mount

Swivel/Tilt wall mount that supports a flat panel LCD monitor up to 12 kg (26.5 lb) in weight, black

Order number **UMM-LW-30B**

ST660 Universal Tilt Wall Mount

Tilt wall mount for an LCD 37 in. to 60 in. monitor, black

Order number **ST660**

UMM-WMT-32 Tilt Wall Mount

Tilt wall mount for a 32 in. LED monitor, black

Order number **UMM-WMT-32**

UML-202-PS Universal Power Supply for UML LCD Monitors

100 VAC to 240 VAC, 50/60 Hz, 1.5 A

Order number **UML-202-PS**

Represented by:

Americas:

Bosch Security Systems, Inc.
130 Perinton Parkway
Fairport, New York, 14450, USA
Phone: +1 800 289 0096
Fax: +1 585 223 9180
security.sales@us.bosch.com
www.boschsecurity.us

Europe, Middle East, Africa:

Bosch Security Systems B.V.
P.O. Box 80002
5617 BA Eindhoven, The Netherlands
Phone: + 31 40 2577 284
Fax: +31 40 2577 330
emea.securitysystems@bosch.com
www.boschsecurity.com

Asia-Pacific:

Robert Bosch (SEA) Pte Ltd, Security
Systems
11 Bishan Street 21
Singapore 573943
Phone: +65 6571 2808
Fax: +65 6571 2699
apr.securitysystems@bosch.com
www.boschsecurity.asia

China:

Bosch (Shanghai) Security Systems Ltd.
201 Building, No. 333 Fuquan Road
North IBP
Changning District, Shanghai
200335 China
Phone +86 21 22181111
Fax: +86 21 22182398
www.boschsecurity.com.cn

America Latina:

Robert Bosch Ltda Security Systems Division
Via Anhanguera, Km 98
CEP 13065-900
Campinas, Sao Paulo, Brazil
Phone: +55 19 2103 2860
Fax: +55 19 2103 2862
latam.boschsecurity@bosch.com
www.boschsecurity.com