

Power Supply Units for IR Illuminators

www.boschsecurity.com



BOSCH
Invented for life



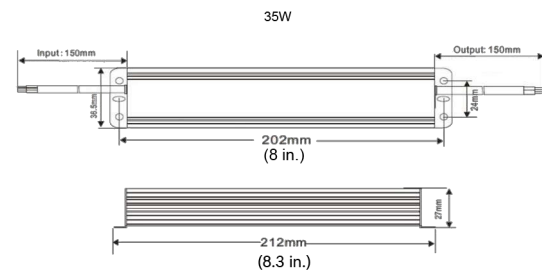
- ▶ Constant Voltage design for external LED lighting applications
- ▶ Built-in active Power Factor Correction (PFC), typically > 0.93
- ▶ Turn on time < 1 second with soft start
- ▶ Protection: Over-Load, Over Current, Open Circuit, Short Circuit, Over Temperature

Constant Voltage 24 VDC power supplies designed for LED lighting applications. Models of 35W, 60W or 100W.

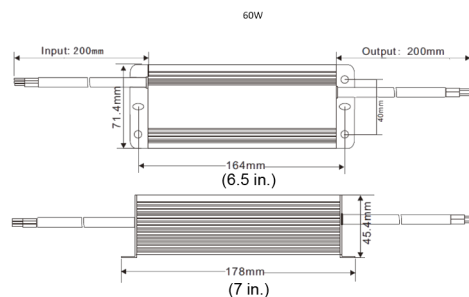
Certifications and approvals

Standards	Type
Emission	EN 55015 EN 61000-3-2 EN 61000-3-3
Immunity	EN 61547 EN 55024 EN 61000-4-2,3,4,5,6,8,11 FCC Part 15, Class B
Other	UL 8750 EN 61347-1 EN 61347-2-13
Marks	CE, RoHS

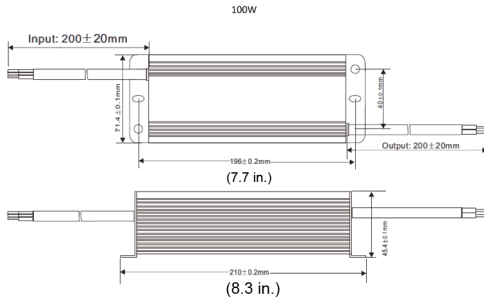
Installation/configuration notes



35W PSU



60W PSU



100W PSU

Technical specifications

Input Voltage	100-240 VAC, 50/60 Hz
Output voltage	24 VDC, ±2%
Maximum load	35W: 1.46 A 60W: 2.5 A 100W: 4.16A
Connection type	Flying leads
Operating Temperature	-25 °C to +50 °C (-13 °F to +122 °F)
Dimensions (LxWxD)	35W: 212 mm x 37 mm x 27 mm (8.3 in. x 1.5 in. x 1.1 in.) 60W: 178 mm x 72 mm x 45 mm (7 in. x 2.8 in. x 1.8 in.) 100W: 210 mm x 72 mm x 45 mm (8.3 in. x 2.8 in. x 1.8 in.)
Construction Material	Aluminum
Ingress Protection Rating/Standard	IP67 (with appropriate installation standards)

Ordering information

PSU-IIR-35 Power supply, 100-240VAC/24VDC, 1.25A
Constant Voltage, 24 VDC, 35W power supply designed for LED lighting applications. 100-240VAC in, 1.46A out. Aluminum case rated IP67.
Order number **PSU-IIR-35**

PSU-IIR-60 Power supply, 100-240VAC/24VDC, 2.5A
Constant Voltage, 24 VDC, 60W power supply designed for LED lighting applications. 100-240VAC in, 2.5A out. Aluminum case rated IP67.
Order number **PSU-IIR-60**

PSU-IIR-100 Power supply, 100-240VAC/24VDC, 4.2A
Constant Voltage 24 VDC, 100W power supply designed for LED lighting applications. 100-240VAC in, 4.16A out. Aluminum case rated IP67.
Order number **PSU-IIR-100**

Represented by:

Europe, Middle East, Africa:
Bosch Security Systems B.V.
P.O. Box 80002
5600 JB Eindhoven, The Netherlands
Phone: + 31 40 2577 284
emea.securitysystems@bosch.com
emea.boschsecurity.com

Germany:
Bosch Sicherheitssysteme GmbH
Robert-Bosch-Ring 5
85630 Grasbrunn
Germany
www.boschsecurity.com

North America:
Bosch Security Systems, Inc.
130 Perinton Parkway
Fairport, New York, 14450, USA
Phone: +1 800 289 0096
Fax: +1 585 223 9180
onlinehelp@us.bosch.com
www.boschsecurity.us

Asia-Pacific:
Robert Bosch (SEA) Pte Ltd, Security Systems
11 Bishan Street 21
Singapore 573943
Phone: +65 6571 2808
Fax: +65 6571 2699
apr.securitysystems@bosch.com
www.boschsecurity.asia