

LTC 9210/00, LTC 9211/00, LTC 9212/00, LTC 9223/00, LTC 9213/00 Indoor/Outdoor Camera Mounts

- **Sturdy Construction**
- **Attractive Appearance**
- **Versatile Design**
- **Adjustable Mount Heads**
- **Lightweight**
- **Corrosion-Resistant Finish**



These series of indoor/outdoor mounting equipment are designed for fixed camera or camera housing installations up to a rated load of 9 kg (20 lb). All models are made of lightweight aluminum and feature welded construction providing an extremely rigid camera mount. They have been designed and styled for the LTC 9350 and LTC 9380 Series camera housings. All mounts come fully assembled.

The LTC 9210/00 is a 200 mm (8 inch) column mount constructed of 38 mm (1.5 inch) OD aluminum tubing with a

welded surface mounting flange. An adjustable head is included for mounting a camera or housing. The adjustable head employs hex head screws and friction washers. The top mounting plate includes three mounting holes for easy installation.

The LTC 9223/00 column mount is similar to the LTC 9210/00, but with a height of 610 mm (24 inch).

The LTC 9211/00 and the LTC 9212/00 are wall mounts of 250 mm (10-inch) and 300-mm (12 inch) lengths respectively. Both units are constructed of 38 mm (1.5 inch) OD

aluminum tubing with a welded surface mounting flange. These units include an adjustable head mounted on a 90 degree angle bend to permit mounting of a camera or housing. The adjustable head employs hex head screws, friction washers, and three mounting holes for easy installation.

The LTC 9213/00 is a pole mount bracket which facilitates the mounting of the LTC 9211/00 and LTC 9212/00 mounts to a 3 inch to 15 inch diameter pole. Stainless steel straps are included for ease of mounting.

SPECIFICATIONS

LTC 9210/00, LTC 9211/00, LTC 9212/00,
LTC9223/00, LTC 9213/00
Indoor/Outdoor Mounts

Maximum Load: 9 kg (20 lb).

Mounting Head: Adjustable. 360° pan, 180° tilt (NA for LTC 9213/00).

Finish: Mushroom.

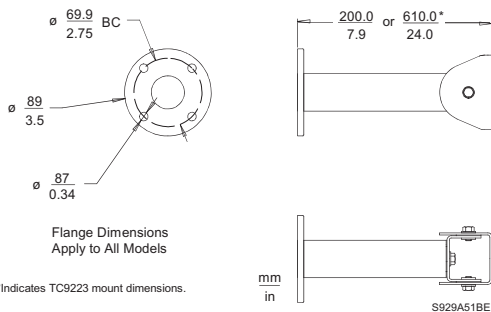
LTC 9210/00 20-mm (8-inch)
Column Mount

LTC 9223/00 610-mm (24-inch)
Column Mount

Approx. Weights:

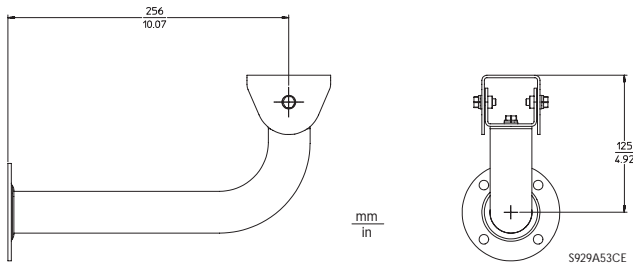
LTC 9210/00: 300 g (0.6 lb).

LTC 9223/00: 544 g (1.2 lb).



For additional details, see Adjustable Head Dimensional Outline.

LTC 9211/00 250-mm (10-inch) Wall Mount

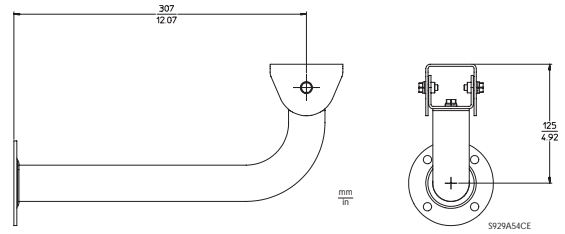


Approx. Weight: 350 g (0.8 lb).

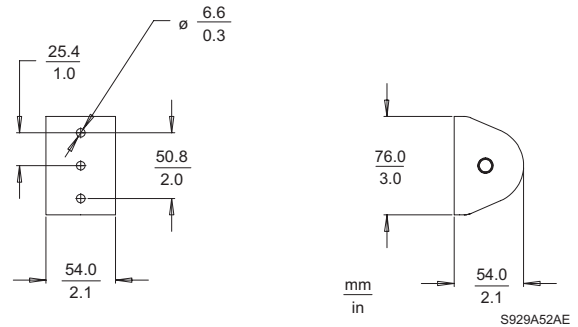
For additional details, see Adjustable Head Dimensional Outline.

LTC 9212/00 300-mm (12-inch) Wall Mount

Approx. Weight: 400 g (0.9 lb).



For additional details, see Adjustable Head Dimensional Outline.



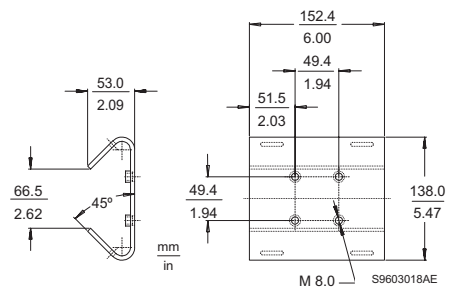
Dimensional Outline for Adjustable Head

LTC 9213/00 Pole Mount Adapter

Mounting Hardware: (2) 1.5 m (5 ft) stainless steel straps, (2) banding clips, (4) hex head cap screws, and (4) lockwashers are furnished with unit.

Options: TC9311PM3T strapping tool available. Refer to Data Sheet for Accessories For Domed Housings.

Approx. Weight: 850 g (1.9 lb).



Requires mounting pole of 76 mm to 380 mm (3 inch to 15 inch) OD.



PHILIPS

Let's make things better.