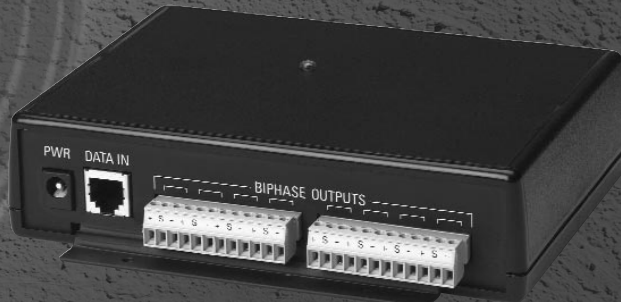


LTC 8786 Series RS-232 to Biphase Converter



Security Systems



Formerly known
as Philips CSI

- For Use With PC, DÉSA Digital Video Recorder, Or Other Devices Running User-Supplied Video Controller Software
- Provides Up to 16 Biphase Control Code Outputs
- Each Output Operates up to 8 Devices In a Daisy Chain
- Compact Design

The LTC 8786 Series of data converters are designed to convert Bosch "Receiver/Driver and AutoDome RS-232 Control Code Protocol" into Allegiant biphase control code.

These units are specifically designed to transform the single data output from a DÉSA DVR (or a similar device) into multiple control code outputs for operating AutoDome cameras.

The Bosch "Receiver/Driver and AutoDome RS-232 Control Code Protocol" is a simplex RS-232 data format designed to communicate with the Bosch line of receiver/drivers, AutoDome cameras, LTC 8786 converters, and other compatible accessory devices. Complete information on the protocol can be obtained by downloading the manual from the AutoDome section of www.boschsecuritysystems.com.

The input RS-232 baud rate of the LTC 8786 Series is fixed at 9600 baud, 1 stop bit, 8 data bits, no parity, and no handshake.

The LTC 8786 Series units can be connected directly to the RS-232 serial port of a PC using an industry standard null modem cable. If another connection type is required, an interface cable can easily be constructed using the supplied 9-Pin D connector.

Electrical

Model No. ¹	Rated Voltage	Voltage Range
LTC 8786/60	120 VAC, 50/60 Hz	105-132 VAC
LTC 8786/50	220-240 VAC, 50/60 Hz	195.5-253 VAC

1. Includes applicable power supply adapter.

Nominal Power 3 W (at rated voltage)

Indicator Green Data LED

Connectors

Data In 9-Pin D Connector (a 9-Pin adapter is supplied), RJ-11

Biphase Output Removable terminal blocks with three connections: (+), (-), and (S [Shield]) for each of the sixteen biphase code outputs

Power Connector 1.8m (5.75 feet) power supply cable with bayonet type plug

Transmission Distance

1.5km (5000 ft) using 1 mm² (18 AWG) shielded twisted pair cable (Belden 8760 or equivalent)

Mechanical

Case Black plastic with metal mounting flanges

Dimensions (Overall) 154 W x 132 D x 38 H mm (6.08 x 5.25 x 1.5 in)

Weight 0.132 kg (0.7 lb)

Environmental

Temperature range Operating: 0° to 40° C (32° to 144 ° F).

Operating Humidity 10% to 90% non-condensing

Agency Certifications

EMC Immunity EN50130-4

EMC Emission EN55022-1, FCC Part 15, Class A

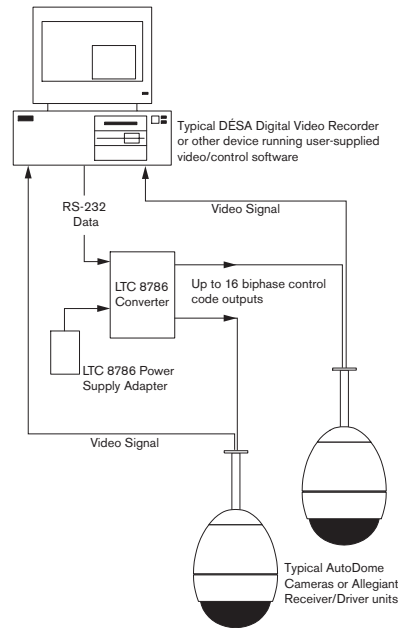
Safety

Converter CE, LVD 73/23/EEC

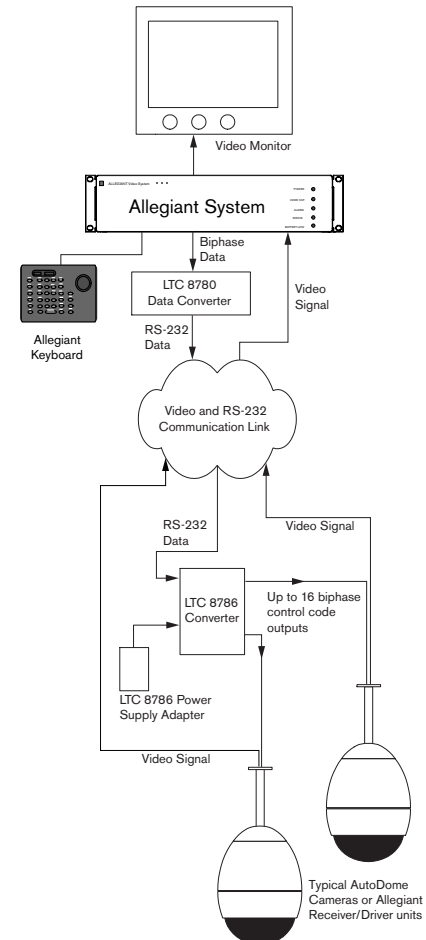
Power Supply Adapter CE, UL, CSA, TUV

Typical Configurations

Using PC or DÉSA Digital Video Recorder as Source of RS-232 Data



When Used as Remote RS-232 to Biphase Converter



Bosch Security Systems, Inc.
 850 Greenfield Road
 Lancaster, PA 17601
 Tel: 800-326-3270
 Fax: 717-735-6560
 www.boschsecuritysystems.com

