

FLEXIDOME IP 3000i IR



The FLEXIDOME IP 3000i IR is built for high quality, 24/7 performance, with a range of reliable surveillance features, including Essential Video Analytics, and is designed for easy installation.

The built-in active infrared illuminator provides high performance in extreme low-light environments. The camera is available as indoor and outdoor versions for different applications and with 1080p or 5 MP resolutions.

System overview

The automatic zoom/focus lens wizard makes it easy for an installer to accurately zoom and focus the camera for both day and night operation. The wizard is activated from the PC or from the on-board camera push button making it easy to choose the workflow that suits best.

The AVF (Automatic Varifocal) feature means that the zoom can be changed without opening the camera. The automatic motorized zoom/focus adjustment with 1:1 pixel mapping ensures the camera is always accurately focused.

NDI-3512-AL, NDI-3513-AL

Easy to install stylish indoor dome

Ideal for indoor use, the stylish design is suitable for installations where appearance and flexible coverage are important. The varifocal lens allows you to choose the coverage area to best suit your application. Using the proprietary pan/tilt/rotation mechanism, installers can select the exact field of view. Mounting options are numerous, including surface, wall, and suspended-ceiling mounting.



- ▶ 1080p and 5MP resolutions
- ▶ Built-in Essential Video Analytics to trigger relevant alerts and quickly retrieve data
- ▶ Easy to install with auto zoom/focus lens and wizard
- ▶ Fully configurable H.265 multi-streaming
- ▶ Built-in IR illuminator with 30 m (98 ft) viewing distance

NDE-3512-AL, NDE-3513-AL

Vandal resistant outdoor dome with varifocal lens

Ideal for outdoor use, the IK10-rated design is suitable for installations where a vandal resistance is important. The camera is protected against water and dust to IP66 standards. The varifocal lens allows you to choose the coverage area to best suit your application. Mounting options are numerous, including surface, wall, and suspended-ceiling mounting.

Functions

Essential Video Analytics

The built-in video analysis reinforces the Intelligence-at-the-Edge concept and now delivers even more powerful features. Essential Video Analytics is ideal for use in controlled environments with limited detection ranges.

The system reliably detects, tracks, and analyzes objects, and alerts you when predefined alarms are triggered. A smart set of alarm rules makes complex tasks easy and reduces false alarms to a minimum. Metadata is attached to your video to add sense and structure. This enables you to quickly retrieve the relevant images from hours of stored video. Metadata can also be used to deliver irrefutable forensic evidence or to optimize business processes based on people counting or crowd density information. Calibration is quick and easy – just enter the height of the camera. The internal gyro/accelerometer sensor provides the rest of the information to precisely calibrate the video analytics.

High Dynamic Range

The camera has High Dynamic Range. This is based on a multiple-exposure process that captures more details in the highlights and in the shadows even in the same scene. The result is that you can easily distinguish objects and features, for example, faces with bright backlight.

The actual dynamic range of the camera is measured using Opto-Electronic Conversion Function (OECF) analysis according to IEC 62676 Part 5. This method is used to provide a standard result which can be used to compare different cameras.

Intelligent streaming reduces bandwidth and storage requirements

The low-noise image and the efficient H.265 compression technology provide clear images while reducing bandwidth and storage by up to 80% compared to standard H.264 cameras. With this new generation of cameras an extra level of intelligence is added with Intelligent Streaming. The camera provides the most usable image possible by cleverly optimizing the detail-to-bandwidth ratio. The smart encoder continuously scans the complete scene as well as regions of the scene and dynamically adjust compression based on relevant information like movement. Together with Intelligent Dynamic Noise Reduction, which actively analyzes the contents of a scene and reduces noise artifacts accordingly, bitrates are reduced by up to 80%. Because noise is reduced at the source during image capture, the lower bitrate does not compromise image quality. This results in substantially lower storage costs and network strain and still retain a high image quality and smooth motion.

Bitrate optimized profile

The average typical optimized bitrate in kbits/s for various frame rates when in H.265 mode is shown in the table:

fps	1080p	5 MP
30	600	1597
12	438	1205
5	284	799
2	122	344

Multiple streams

The multi-streaming feature delivers various H.264 or H.265 streams together with an M-JPEG stream. These streams facilitate bandwidth-efficient viewing and recording as well as integration with third-party video management systems.

The camera can run multiple independent streams that allows to set a different resolution and frame rate on the first and second stream. The user can also choose to use a copy of the first stream.

The third stream uses the I-frames of the first stream for recording; the fourth stream shows a JPEG image at a maximum of 10 Mbit/s.

Two-way audio and audio alarm

Two-way audio allows the operator to communicate with visitors or intruders via an external audio line input and output. Audio detection can be used to generate an alarm if needed.

Tamper and motion detection

A wide range of configuration options is available for alarms signaling camera tampering. A built-in algorithm for detecting movement in the video can also be used for alarm signaling.

Recording and storage management

Recording management can be controlled by the Bosch Video Recording Manager application or the camera can use iSCSI targets directly without any recording software.

Edge recording

The MicroSD card slot supports up to 2 TB of storage capacity. A microSD card can be used for local alarm recording. Pre-alarm recording in RAM reduces recording bandwidth on the network, or — if microSD card recording is used — extends the effective life of the storage medium.

Cloud-based services

The camera supports time-based or alarm-based JPEG posting to four different accounts. These accounts can address FTP servers or cloud-based storage. Video clips or JPEG images can also be exported to these accounts.

Alarms can be set up to trigger an e-mail or SMS notification so you are always aware of abnormal events.

Easy installation

Power for the camera can be supplied via a Power-over-Ethernet compliant network cable connection. With this configuration, only a single cable connection is required to view, power, and control the camera. Using PoE makes installation easier and more cost-effective, as cameras do not require a local power source.

The camera can also be supplied with power from +12 VDC/24 VAC power supplies. To increase system reliability, the camera can be simultaneously connected to both PoE and +12 VDC/24 VAC supplies. Additionally, uninterruptible power supplies (UPS) can be used, which will allow continuous operation, even during a power failure.

For trouble-free network cabling, the camera supports Auto-MDIX which allows the use of straight or cross-over cables.

Automatic image rotation

The integrated gyro/accelerometer sensor automatically corrects the image orientation in steps of 90° if the camera is mounted at right angles or upside down. The sensor image can also be rotated manually through steps of 90°.

To efficiently capture details in long hallways without loss of resolution, mount the camera at right angles. The image is displayed upright at full resolution on your monitor.

True day/night switching

The camera incorporates mechanical filter technology for vivid daytime color and exceptional night-time imaging while maintaining sharp focus under all lighting conditions.

Hybrid mode

An analog video output enables the camera to operate in hybrid mode. This mode provides simultaneous high resolution HD video streaming and an analog video output via an SMB connector. The hybrid functionality offers an easy migration path from legacy CCTV to a modern IP-based system.

DORI coverage

DORI (Detect, Observe, Recognize, Identify) is a standard system (EN-62676-4) for defining the ability of a camera to distinguish persons or objects within a covered area. The maximum distance at which a camera/lens combination can meet these criteria is shown below:

1080p camera with 3-9 mm lens

DORI	DORI definition	Distance 9 mm / 3 mm	Horizontal width
Detect	25 px/m 8 px/ft	32 m / 126 m 104 ft / 412 ft	77 m 252 ft
Observe	63 px/m 19 px/ft	13 m / 50 m 41 ft / 164 ft	30 m 100 ft
Recognize	125 px/m 38 px/ft	6 m / 25 m 21 ft / 82 ft	15 m 50 ft
Identify	250 px/m 76 px/ft	3 m / 13 m 10 ft / 41 ft	8 m 25 ft

5 MP camera with 3-10 mm lens

DORI	DORI definition	Distance 10 mm / 3 mm	Horizontal width
Detect	25 px/m 8 px/ft	59 m / 138 m 195 ft / 780 ft	123 m 403 ft
Observe	63 px/m 19 px/ft	24 m / 94 m 77 ft / 309 ft	49 m 160 ft

DORI	DORI definition	Distance 10 mm / 3 mm	Horizontal width
Recognize	125 px/m 38 px/ft	12 m / 48 m 39 ft / 156 ft	25 m 81 ft
Identify	250 px/m 76 px/ft	6 m / 24 m 19 ft / 78 ft	12 m 40 ft

Data security

Special measures have been put in place to ensure the highest level of security for device access and data transport. The three-level password protection with security recommendations allows users to customize device access. Web browser access can be protected using HTTPS and firmware updates can also be protected with authenticated secure uploads. The on-board Trusted Platform Module (TPM) and Public Key Infrastructure (PKI) support, guarantee superior protection from malicious attacks. The 802.1x network authentication with EAP/TLS, supports TLS 1.2 with updated cipher suites including AES 256 encryption.

The advanced certificate handling offers:

- Self-signed unique certificates automatically created when required
- Client and server certificates for authentication
- Client certificates for proof of authenticity
- Certificates with encrypted private keys

Complete viewing software

There are many ways to access the camera's features: using a web browser, with the Bosch Video Management System, with the free-of-charge Bosch Video Client or Video Security Client, with the video security mobile app, or via third-party software.

System integration

The camera conforms to the ONVIF Profile G, ONVIF Profile M, ONVIF Profile S, and ONVIF Profile T specifications. This guarantees interoperability between network video products regardless of manufacturer.

Third-party integrators can easily access the internal feature set of the camera for integration into large projects. Visit the Bosch Integration Partner Program (IPP) website (ipp.boschsecurity.com) for more information.

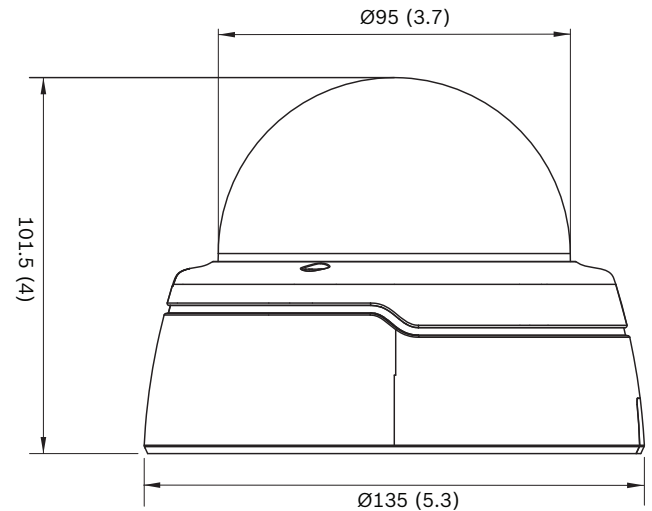
Regulatory information

	NDI-3512-AL, NDI-3513-AL	NDE-3512-AL, NDE-3513-AL
Standards	IEC 62471	IEC 62471
	EN 62368-1	EN 62368-1
	UL 62368-1	UL 62368-1

	NDI-3512-AL, NDI-3513-AL	NDE-3512-AL, NDE-3513-AL
		UL 60950-22
	CSA C22.2 NO. 62368-1:14	CSA C22.2 NO. 62368-1:14
		CAN/CSA-C22.2 NO. 60950-22
	EN 50130-4	EN 50130-4
	EN 50130-5, Class II (indoor in general, fixed equipment)	EN 50130-5, Class IV
	FCC Part15 Subpart B, Class B	FCC Part15 Subpart B, Class B
	EMC directive 2014/30/EU	EMC directive 2014/30/EU
	EN 55032 class B	EN 55032 class B
	AS NZS CISPER 32:2015+AMD 1:2020	AS NZS CISPER 32:2015+AMD 1:2020
	ICES-003 Class B	ICES-003 Class B
	VCCI CISPER 32:2016	VCCI CISPER 32:2016
	EN 50121-4:2016	EN 50121-4:2016
		EN 60950-22
ONVIF compliance	EN 50132-5-2; IEC 62676-2-3	EN 50132-5-2; IEC 62676-2-3
Product certifica- tions	CE, FCC, UL, cUL, RCM, VCCI, CMIM, KCC, BIS, UKCA	CE, FCC, UL, cUL, RCM, VCCI, CMIM, KCC, BIS, UKCA

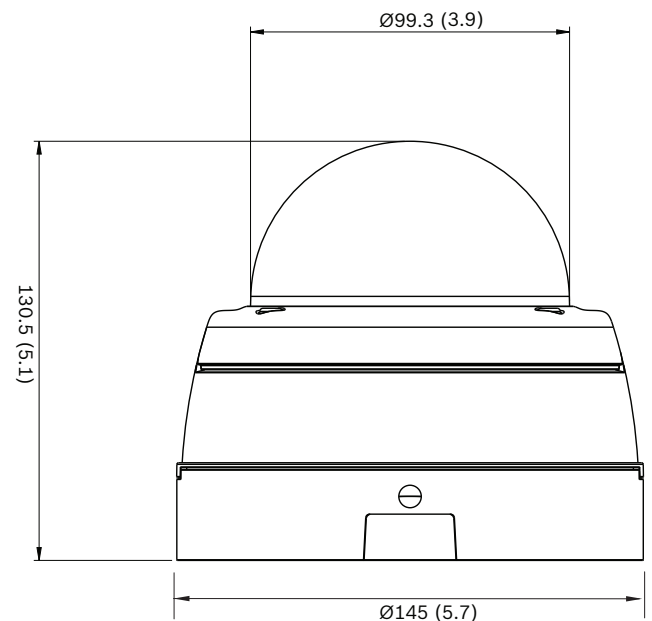
Installation/configuration notes

NDI-3512-AL, NDI-3513-AL



Dimensions in mm (inch)

NDE-3512-AL, NDE-3513-AL



Dimensions in mm (inch)

Technical specifications

Power	
Input voltage	+12 VDC ±5%, 24 VAC ±10% or Power-over-Ethernet (48 VDC nominal)
Power consumption (DC)	10.8 W max.
Power consumption (AC)	8.75 W max.
Power consumption (PoE)	9.2 W max.

Power	
PoE IEEE standard	IEEE 802.3af (802.3at Type 1) Power level: Class 3

Platform	
Common product platform	CPP7.3

Sensor 2 MP	
Sensor type	1/2.8-inch CMOS
Effective pixels	1920 (H) x 1080 (V)

Sensor 5 MP	
Sensor type	1/2.9-inch CMOS
Effective pixels	3072 (H) x 1944 (V)

Video performance - Sensitivity 2 MP	
Sensitivity - (3100 K, reflectivity 89%, 1/25, F1.3, 30IRE)	
Color	0.05 lx
Mono	0.01 lx
With IR	0.0 lx

Video performance - Sensitivity 5 MP	
Sensitivity - (3100 K, reflectivity 89%, 1/25, F1.3, 30IRE)	
Color	0.379 lx
Mono	0.042 lx
With IR	0.0 lx

Video performance - Dynamic range	
High Dynamic Range	120 dB WDR
Measured according to IEC 62676 Part 5 (2 MP)	103 dB
Measured according to IEC 62676 Part 5 (5 MP)	101 dB

Video streaming	
Video compression	H.265; H.264; M- JPEG
Streaming	Multiple configurable streams in H.264 or H.265 and M-JPEG, configurable frame rate and bandwidth.

Video streaming	
	Regions of Interest (ROI)
Camera processing latency	<120 ms (max. average at 1080p30) <120 ms (max. average at 5MP30)
GOP structure	IP, IBP, IBBP
Encoding interval	1 to 25 [30] fps
Encoding regions	Up to 8 areas with encoder quality settings per area

Video resolution (H x V) 2 MP	
1080p HD	1920 × 1080
Upright mode 1080p	1080 × 1920
1.3 MP (16:9)	1536 × 864
Upright mode 1.3 MP (16:9)	864 × 1536
720p	1280 × 720
Upright mode 720p	720 × 1280
480p SD	640 × 480
SD	768 × 432
D1	720 × 480

Video resolution (H x V) 5 MP	
5MP (16:9)	3072 × 1728
Upright mode 5MP	1728 × 3072
4MP (16:9)	2688 × 1512
Upright mode 4MP	1512 × 2688
3MP (16:9)	2304 × 1296
Upright mode 3MP	1296 × 2304
1080p HD	1920 × 1080
Upright mode 1080p	1080 × 1920
1.3MP (16:9)	1536 × 864
720p	1280 × 720
480p SD	640 × 480
SD	768 × 432

Video resolution (H x V) 5 MP	
D1	720 × 480
Video functions	
Day/Night	Color, Monochrome, Auto (adjustable switch points)
Adjustable picture settings	Contrast, Saturation, Brightness
White Balance	2500 to 10000K, 4 automatic modes (Basic, Standard, Sodium vapor, Dominant color), Manual mode and Hold mode
Shutter	Automatic Electronic Shutter (AES); Fixed (1/25[30] to 1/15000) selectable; Default shutter
Backlight compensation	On/off
Contrast enhancement	On/off
Signal-to-noise ratio (SNR)	>55 dB
Noise reduction	Intelligent Dynamic Noise Reduction with separate temporal and spatial adjustments
Privacy Masking	Eight independent areas, fully programmable
Video Analysis	Essential Video Analytics
Other functions	Image mirror, Image flip, Pixel counter, Video watermarking, Display stamping, Location
Camera rotation	Automatic detection with manual override (0° / 90° / 180° / 270°)
Video content analysis	
Analysis type	Essential Video Analytics
Features	Rule based alarms and tracking Line crossing Enter /leave field Follow route Loitering Idle / removed object People counting Crowd density estimation 3D tracking
Tamper detection	Maskable

Video content analysis	
Audio detection	Detection of audio to generate an alarm
Night vision	
Distance	30 m (98 ft)
LED	10 LED high efficiency array, 850 nm
IR intensity	Adjustable
Optical	
Lens type (2 MP)	3 to 9 mm Automatic Varifocal (AVF) lens, IR corrected DC Iris F1.3 - 360
Lens type (5 MP)	3 to 10 mm Automatic Varifocal (AVF) lens, IR corrected DC Iris F1.3 - 360
Lens mount	Board mounted
Adjustment	Motorized zoom/focus
Iris control	Automatic iris control
Day/Night	Switched mechanical IR filter
Viewing angle (2 MP)	Horizontal field of view: 106° - 37° Vertical field of view: 55° - 21°
Viewing angle (5 MP)	Horizontal field of view: 99° - 31° Vertical field of view: 53° - 18°
Inputs and outputs	
Analog video out	SMB connector, CVBS (PAL/NTSC), 1 Vpp, 75 Ohm, approx. 500 TVL
Audio line in	0.707 Vrms max., 10 kOhm typical
Audio line out	0.707 Vrms at 16 Ohm typical
Alarm input	1 input
Alarm input activation	Short or DC 5V activation
Alarm output	1 output
Alarm output voltage	30 VDC, max. load 0.5 A
Ethernet	RJ45
Audio streaming	
Standard	G.711, 8 kHz sampling rate

Audio streaming	
	L16, 16 kHz sampling rate AAC-LC, 48 kbps at 16 kHz sampling rate AAC-LC, 80 kbps at 16 kHz sampling rate
Signal-to-Noise Ratio	>50 dB
Audio Streaming	Full-duplex / half duplex

Local storage	
Internal RAM	5 s pre-alarm recording
Memory card slot	Supports up to 32 GB microSDHC / 2 TB microS-DXC card. (A memory card of Class 6 or higher is recommended for HD recording)
Recording	Continuous recording, ring recording, alarm/ events/schedule recording

Network	
Protocols	IPv4, IPv6, UDP, TCP, HTTP, HTTPS, RTP/RTCP, IGMP V2/V3, ICMP, ICMPv6, RTSP, FTP, ARP, DHCP, APIPA (Auto-IP, link local address), NTP (SNTP), SNMP (V1, V3, MIB-II), 802.1x, DNS, DNSv6, DDNS (DynDNS.org, selfHOST.de, no-ip.com), SMTP, iSCSI, UPnP (SSDP), Diff-Serv (QoS), LLDP, SOAP, CHAP, digest authentication
Encryption	TLS1.0/1.2, AES128, AES256
Ethernet	10/100 Base-T, auto-sensing, half/full duplex
Connectivity	Auto-MDIX
Interoperability	ONVIF Profile S, ONVIF Profile G, ONVIF Profile M, ONVIF Profile T

Mechanical - indoor version	
3-axis adjustment (pan/tilt/rotation)	350° / 130° / 350°
Dimensions (Ø x H)	135 x 102 mm (5.32 x 4 in)
Weight (approx.)	450 g (0.99 lb)
Color	RAL 9003, RAL 9017
Dome bubble	Polycarbonate, clear with anti-scratch coating

Mechanical - outdoor version	
3-axis adjustment (pan/tilt/rotation)	350° / 130° / 350°

Mechanical - outdoor version	
Dimensions (Ø x H)	145 x 131 mm (5.71 x 5.14 in)
Weight	1102 g (2.43 lb)
Color	RAL 9003, RAL 9017
Housing material	Aluminum
Dome bubble	Polycarbonate, clear with anti-scratch coating

Environmental - indoor version	
Operating temperature (continuous)	0 °C to +50 °C (32 °F to +122 °F)
Storage temperature	-30 °C to +70 °C (-22 °F to +158 °F)
Humidity	5% to 93% relative humidity (non condensing)
Country of origin	Portugal

Environmental - outdoor version	
Operating temperature	-30 °C to +50 °C (-22 °F to +122 °F) for continuous operation
Storage temperature	-30 °C to +70 °C (-22 °F to +158 °F)
Operating humidity	5% to 93% relative humidity (non condensing) 5% to 100% relative humidity (condensing)
Ingress protection	IP66
Impact protection	IK10
Country of origin	Portugal

Ordering information

NDI-3512-AL Fixed dome 2MP HDR 3-9mm IR
Fixed dome indoor camera with 2 MP resolution; Essential Video Analytics; integrated IR illuminator NDAA and TAA compliant.
Order number **NDI-3512-AL | F.01U.412.977**

NDE-3512-AL Fixed dome 2MP HDR 3-9mm IP66 IR
Fixed dome outdoor camera with 2 MP resolution; Essential Video Analytics; integrated IR illuminator NDAA and TAA compliant.
Order number **NDE-3512-AL | F.01U.412.978**

NDI-3513-AL Fixed dome 5MP HDR 3-10mm IR
Fixed dome indoor camera with 5 MP resolution; Essential Video Analytics; integrated IR illuminator NDAA and TAA compliant.
Order number **NDI-3513-AL | F.01U.412.981**

NDE-3513-AL Fixed dome 5MP HDR 3-10mm IP66 IR

Fixed dome outdoor camera with 5 MP resolution; Essential Video Analytics; integrated IR illuminator NDAA and TAA compliant.
Order number **NDE-3513-AL | F.01U.412.980**

Accessories**BUB-CLR-FDI Bubble, clear, indoor**

Clear polycarbonate bubble for dome camera
Indoor
Order number **BUB-CLR-FDI | F.01U.319.963**

BUB-TIN-FDI Bubble, tinted, indoor

Tinted polycarbonate bubble for dome camera.
Indoor
Order number **BUB-TIN-FDI | F.01U.319.961**

BUB-CLR-FDO Bubble, clear, outdoor

Clear polycarbonate bubble for dome camera
Outdoor
Order number **BUB-CLR-FDO | F.01U.319.962**

BUB-TIN-FDO Bubble, tinted, outdoor

Tinted polycarbonate bubble for dome camera.
Outdoor
Order number **BUB-TIN-FDO | F.01U.319.960**

NBN-MCSMB-03M Cable, SMB to BNC, camera-cable, 0.3m

0.3 m (1 ft) analog cable, SMB (female) to BNC (female) to connect camera to coaxial cable
Order number **NBN-MCSMB-03M | F.01U.291.564**

NBN-MCSMB-30M Cable, SMB to BNC, camera-monitor/DVR

3 m (9 ft) analog cable, SMB (female) to BNC (male) to connect camera to monitor or DVR
Order number **NBN-MCSMB-30M | F.01U.291.565**

NDA-5031-PIP Pendant interface plate NDI-4/5000

Pendant interface plate for indoor FLEXIDOME IP 4000i / 5000i.
Order number **NDA-5031-PIP | F.01U.329.708**

NDA-5030-PIP Pendant interface plate NDE-4/5000

Pendant interface plate for outdoor FLEXIDOME 4000i / 5000i.
Order number **NDA-5030-PIP | F.01U.324.951**

NDA-ADT4S-MINDOME Surface mount box for dome camera

Surface mount box (Ø145 mm / Ø5.71 in) for dome cameras (for indoor camera variant, use together with NDA-ADTVEZ-DOME).
Order number **NDA-ADT4S-MINDOME | F.01U.285.200**

NDA-ADTVEZ-DOME Adapter bracket for dome

Adapter bracket for indoor use (for indoor camera variant, use together with NDA-ADT4S-MINDOME).
Order number **NDA-ADTVEZ-DOME | F.01U.303.769**

NDA-FMT-DOME Inceiling flush mount for dome camera

In-ceiling flush mounting kit for dome cameras (Ø157 mm)
Order number **NDA-FMT-DOME | F.01U.303.768**

NDA-SMB-MINISMB Surface mount box for dome camera 5.87"

Surface mount box (Ø149 mm / Ø5.87 in)
Order number **NDA-SMB-MINISMB | F.01U.299.795**

NDA-U-CMT Corner mount adapter

Universal corner mount, white
Order number **NDA-U-CMT | F.01U.324.946**

NDA-U-PMAL Pole mount adapter large

Universal pole mount adapter, white; large
Order number **NDA-U-PMAL | F.01U.324.944**

NDA-U-PMAS Pole mount adapter small

Pole mount adapter small
Universal pole mount adapter, white; small.
Order number **NDA-U-PMAS | F.01U.324.943**

NDA-U-PMT Pendant pipe mount, 12" (31cm)

Universal pipe mount for dome cameras, 31 cm, white
Order number **NDA-U-PMT | F.01U.324.940**

NDA-U-PMTE Pendant pipe extension, 20" (50cm)

Extension for universal pipe mount, 50 cm, white
Order number **NDA-U-PMTE | F.01U.324.941**

NDA-U-PSMB Pendant wall/ceiling mount SMB

Surface mount box (SMB) for wall mount or pipe mount.
Order number **NDA-U-PSMB | F.01U.324.942**

NDA-U-RMT Pendant parapet mount

Universal roof mount for dome cameras, white, for outdoor usage
Order number **NDA-U-RMT | F.01U.324.945**

NDA-U-WMT Pendant wall mount

Universal wall mount for dome cameras, white
Order number **NDA-U-WMT | F.01U.324.939**

NDN-IOC-30M Cable, IP66 certified, waterproof

An IP66 certified cable for easy waterproof installation, for outdoor usage
Order number **NDN-IOC-30M | F.01U.313.565**

NPD-5001-POE Midspan, 15W, single port, AC in

Power-over-Ethernet midspan injector for use with PoE enabled cameras; 15.4 W, 1-port
Weight: 200 g (0.44 lb)
Order number **NPD-5001-POE | F.01U.305.288**

NPD-5004-POE Midspan, 4 port x 15W, AC in

Power-over-Ethernet midspan injector for use with PoE enabled cameras; 15.4 W, 4-ports
Weight: 620 g (1.4 lb)
Order number **NPD-5004-POE | F.01U.305.289**

UPA-1220-60 Power supply, 120VAC 60Hz,12VDC 1A out

Power supply for camera. 100-240 VAC, 50/60 Hz In; 12 VDC, 1 A Out; regulated.
Input connector: 2-prong, North American standard (non-polarized).
Order number **UPA-1220-60 | F.01U.076.155**

VDA-PMT-AODOME Pipe mount for AUTODOME, outdoor

Sturdy outdoor pipe mount bracket for dome cameras (Ø166 mm)
Order number **VDA-PMT-AODOME | F.01U.268.901**
F.01U.313.786

VEZ-A2-WW Wall mount for PTZ dome, white

Wall mount (Ø145/149 mm) for dome cameras (use together with appropriate dome adapter bracket); white
Order number **VEZ-A2-WW | F.01U.100.210**

NDA-LWMT-DOME Wall mount, L-shaped, for dome camera

Sturdy wall L-shaped bracket for dome cameras
Order number **NDA-LWMT-DOME | F.01U.303.767**

NDA-3082-CND 3000i outdoor conduit adapter, 8pcs

Conduit adapter set for FLEXIDOME IP 3000i IR outdoor cameras, 8 pieces
Order number **NDA-3082-CND | F.01U.416.435**

NDA-5080-TM Tilt mount 20-deg, 148mm

Tilt mount (20°) for
FLEXIDOME panoramic 5100i outdoor and
FLEXIDOME IP 3000i IR outdoor cameras
Order number **NDA-5080-TM | F.01U.389.606**

Represented by:

Europe, Middle East, Africa:
Bosch Security Systems B.V.
P.O. Box 80002
5600 JB Eindhoven, The Netherlands
Phone: + 31 40 2577 284
www.boschsecurity.com/xc/en/contact/
www.boschsecurity.com

Germany:
Bosch Sicherheitssysteme GmbH
Robert-Bosch-Ring 5
85630 Grasbrunn
Tel.: +49 (0)89 6290 0
Fax: +49 (0)89 6290 1020
de.securitysystems@bosch.com
www.boschsecurity.com

North America:
Bosch Security Systems, LLC
130 Perinton Parkway
Fairport, New York, 14450, USA
Phone: +1 800 289 0096
Fax: +1 585 223 9180
onlinehelp@us.bosch.com
www.boschsecurity.com

Asia-Pacific:
Robert Bosch (SEA) Pte Ltd, Security Systems
11 Bishan Street 21
Singapore 573943
Phone: +65 6571 2808
Fax: +65 6571 2699
www.boschsecurity.com/xc/en/contact/
www.boschsecurity.com