

NDA-3082-TBL Tinted bubble NDE-3000 dome



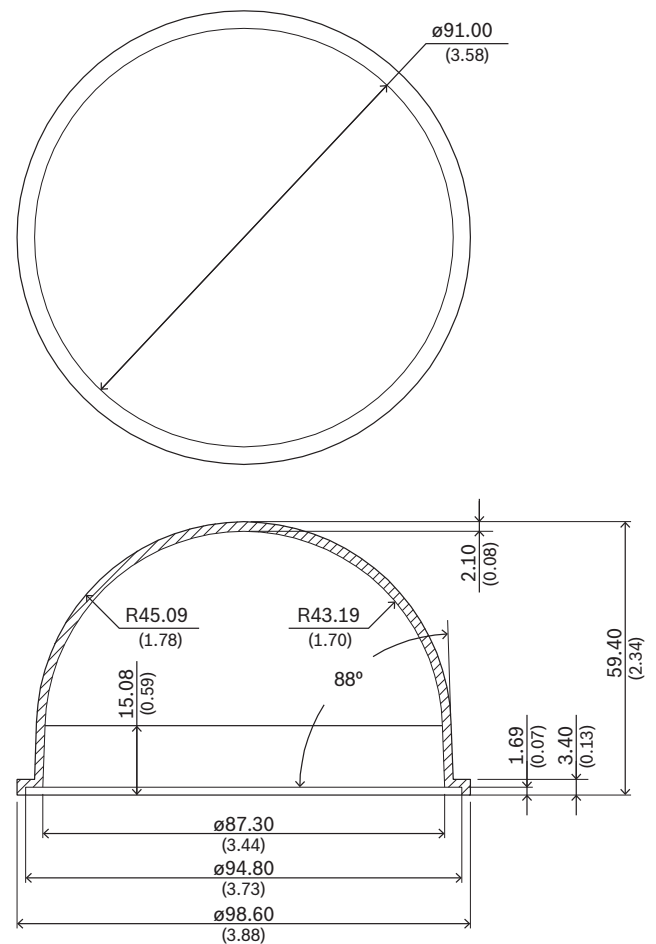
- ▶ Easy installation
- ▶ IK10 rated for better protection

Tinted bubble accessories allow for an easy replacement of the device's original bubble, providing a colored bubble alternative with a light opacity level.

Functions

The NDA-3082-TBL is designed especially for use with the FLEXIDOME IP 3000i IR outdoor cameras.

Installation/configuration notes



Dimensions in mm (inch)

Parts included

Quantity	Component
1	Tinted bubble
1	Quick installation guide

Technical specifications

Mechanical

Dimension (Ø x H) (mm)	91 mm x 59.40 mm
Dimension (Ø x H) (in)	3.58 in x 2.34 in
Weight (g)	40 g
Weight (lb)	0.09 lb
Color	Tinted
Material	Polycarbonate

Ordering information

NDA-3082-TBL Tinted bubble NDE-3000 dome
Tinted polycarbonate bubble for outdoor cameras
Order number **NDA-3082-TBL | F.01U.382.431**

Represented by:

Europe, Middle East, Africa:
Bosch Security Systems B.V.
P.O. Box 80002
5600 JB Eindhoven, The Netherlands
Phone: + 31 40 2577 284
www.boschsecurity.com/xc/en/contact/
www.boschsecurity.com

Germany:
Bosch Sicherheitssysteme GmbH
Robert-Bosch-Ring 5
85630 Grasbrunn
Tel.: +49 (0)89 6290 0
Fax: +49 (0)89 6290 1020
de.securitysystems@bosch.com
www.boschsecurity.com

North America:
Bosch Security Systems, LLC
130 Perinton Parkway
Fairport, New York, 14450, USA
Phone: +1 800 289 0096
Fax: +1 585 223 9180
onlinehelp@us.bosch.com
www.boschsecurity.com

Asia-Pacific:
Robert Bosch (SEA) Pte Ltd, Security Systems
11 Bishan Street 21
Singapore 573943
Phone: +65 6571 2808
Fax: +65 6571 2699
www.boschsecurity.com/xc/en/contact/
www.boschsecurity.com