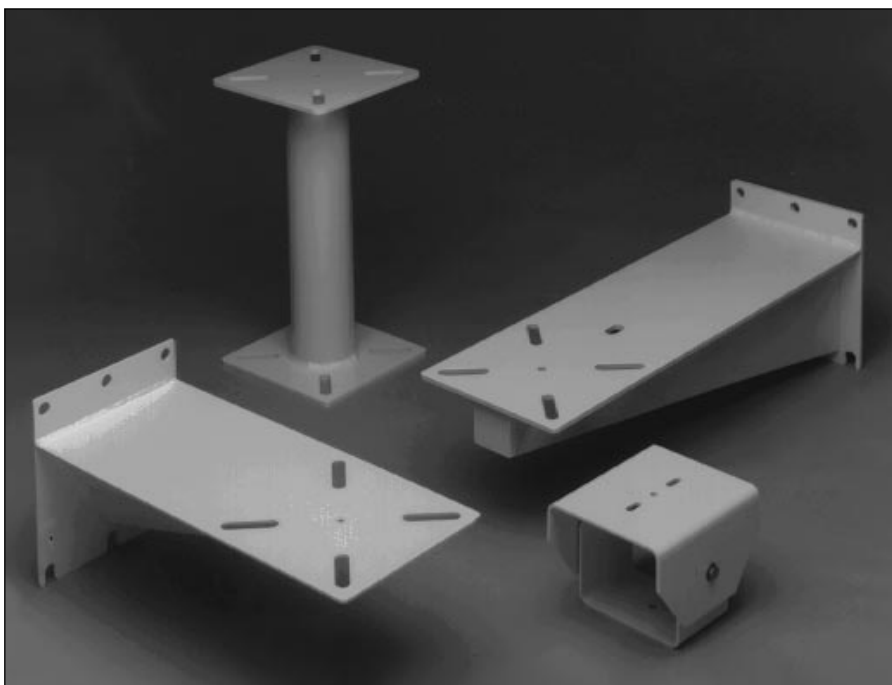


LTC 9214/00, LTC 9224/00, LTC 9216/00, LTC 9222/00, TC7440WM, TC7440PA, LTC 9227/00, LTC 9228/00, LTC 9225/00, LTC 9226/00 Indoor/Outdoor Mounts

- **Sturdy Construction**
- **Attractive Appearance**
- **Corrosion-Resistant**
- **Easy Installation**
- **Versatile Mounting Hole Pattern**
- **Wide Range of Models**



Our wide selection of indoor/outdoor mounting brackets include column, wall, pole, corner, and adjustable head mounts. These versatile mounts accommodate fixed cameras, housings, pan/tilts, and scanners.

All units are made of a lightweight aluminum alloy with a corrosion-free exterior coating. These products meet the Military Salt Atmosphere Standard MIL-STD-810E, Method 509, Procedure I. The column and wall mounts feature welded construction providing an extremely rigid camera mount one-third the weight of steel.

Installation of a wide range of devices is facilitated with generous wrench and socket clearances. Unique slotted mounting hole patterns are on the mounting surface.

The LTC 9214/00 is a 356-mm (14-inch) column mount for medium and heavy duty camera assembly installations. It is constructed of 76-mm (3-inch) OD aluminum tubing with welded end flanges. The center of each flange is fitted with a 1/4-20 threaded stainless steel insert for center mounting.

The LTC 9224/00 is identical to the LTC 9214/00 except the overall length is 610-mm (24-inch).

The LTC 9216/00 is a 409-mm (16-inch) wall mount designed for light duty to medium duty camera installations.

The LTC 9222/00 is a 564-mm (22-inch) wall mount designed for heavy duty cameras installations.

The TC7440WM is an all weather curved mount/wall bracket for use with the TC7420A Series and TC7440A Series pendant mount AutoDome® systems. It allows direct mounting to a flat wall or mates directly to the LTC 9226/00 corner or LTC 9225/00 pole mount brackets.

The TC7440PA is an all weather curved mount and adapter plate for use with the TC7420A Series and TC7440A Series pendant mount AutoDome systems. It allows direct mounting to the TC9315P Mounting Pole, TC9315SRM Corner Mount Bracket With Pivoting Pole, TC9316PRM Parapet Roof Mount Bracket With Pivoting Pole, TC9311PM3 Pole Mount Adapter, TC9311CA2

Corner Mount Bracket, and TC9311PA2 Parapet Roof Mount.

The LTC 9227/00 is an adjustable head bracket designed for medium and heavy duty fixed camera installations. This easy-to-assemble bracket includes stainless steel assembly hardware and neoprene washers. The LTC 9227/00 can be used with all mounts in this series.

The LTC 9228/00 flange bracket is used to increase the weight distribution when the LTC 9216/00 or LTC 9222/00 wall mounts are required for use on insufficient load bearing surfaces.

The LTC 9225/00 pole mount is a mounting bracket designed to install LTC 9216/00 and LTC 9222/00 wall mounts to poles measuring 76-mm (3-inch) to 381-mm (15-inch) in diameter. A hole is provided for use with TC7440WM curved mount/wall bracket.

The LTC 9226/00 corner bracket is an adapter designed to install the LTC 9216/00, LTC 9222/00, or TC7440WM wall mounts to a building corner.

SPECIFICATIONS

LTC 9214/00 356-mm (14-inch) and LTC 9224/00 610-mm (24-inch) Column Mounts

Maximum Rated Load:
Upright: 90.6 kg (200 lb).
Inverted: 45.3 kg (100 lb).

Mounting Hardware: Not furnished.

Finish: Mushroom.

Weight:

LTC 9214/00: 2.3 kg (5.1 lb).
LTC 9224/00: 3.3 kg (7.2 lb).

LTC 9216/00 409-mm (16-inch) and LTC 9222/00 564-mm (22-inch) Wall Mounts

Maximum Rated Load:
LTC 9216/00: 45.3 kg (100 lb).
LTC 9222/00: 90.6 kg (200 lb).

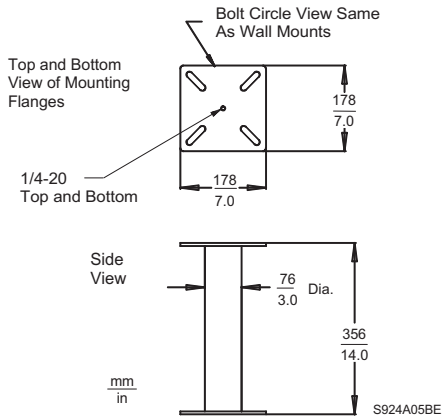
Mounting Hardware: Not furnished.

Finish: Mushroom.

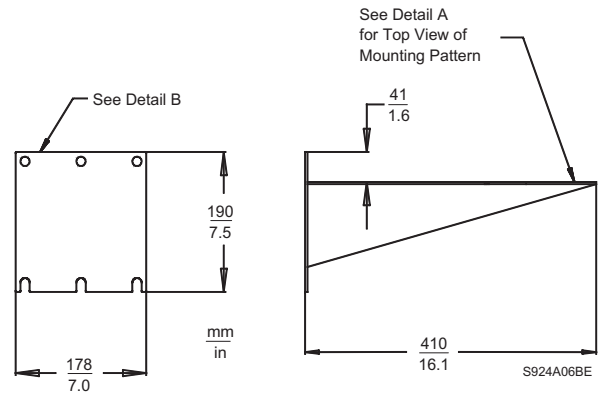
Weight:

LTC 9216/00: 1.6 kg (3.5 lb).
LTC 9222/00: 2.9 kg (6.5 lb).

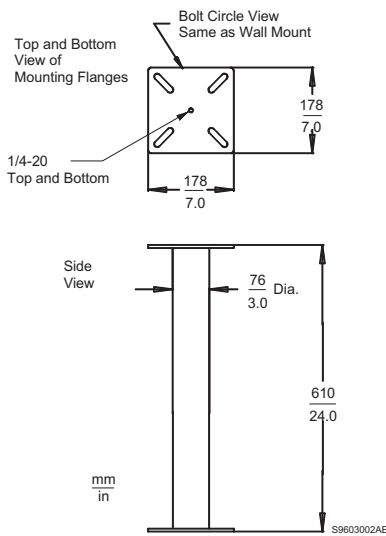
Note: Do not mount the LTC 9216/00 or LTC 9222/00 wall mounts in an inverted position.



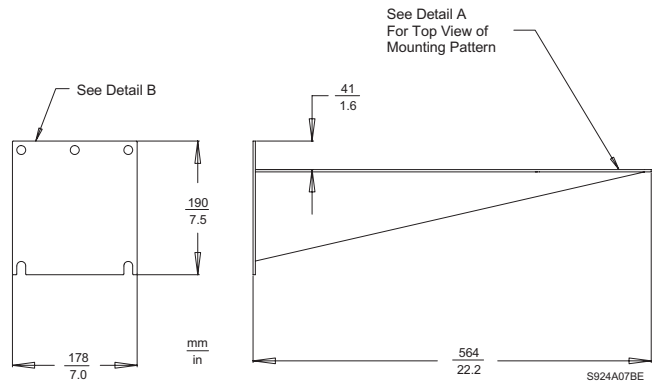
LTC 9214/00



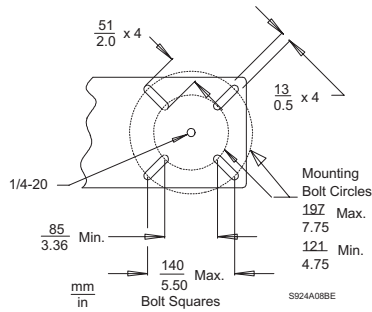
LTC 9216/00



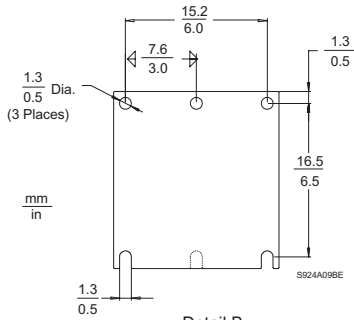
LTC 9224/00



LTC 9222/00



Detail A - LTC 9216/00 and LTC 9222/00



Detail B - LTC 9222/00

TC7440PA

Maximum Load: 11.5 kg (25 lb).

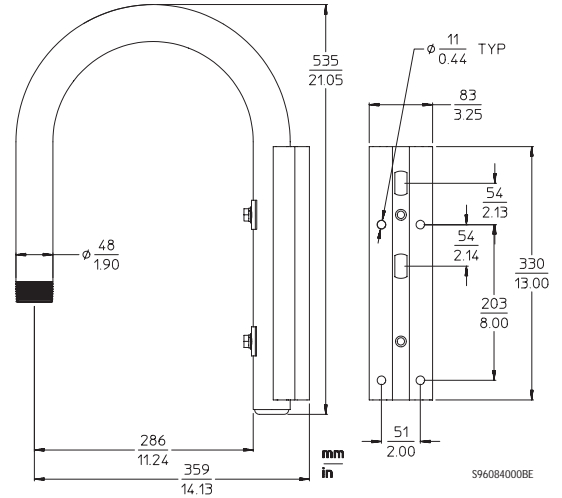
Finish: Off-white semigloss polyurethane.

Construction: Aluminum.

Fasteners: Stainless steel.

Weight: 2.8 kg (6.2 lb).

Note: Do not mount the TC7440PA mount in an inverted position.



TC7440PA

TC7440WM

Maximum Load: 11.5 kg (25 lb).

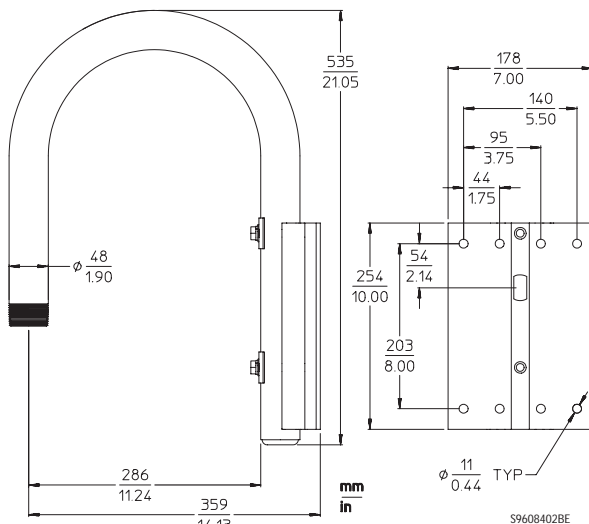
Finish: Off-white semigloss polyurethane.

Construction: Aluminum.

Fasteners: Stainless steel.

Weight: 2.9 kg (6.4 lb).

Note: Do not mount the TC7440WM mount in an inverted position.



TC7440WM

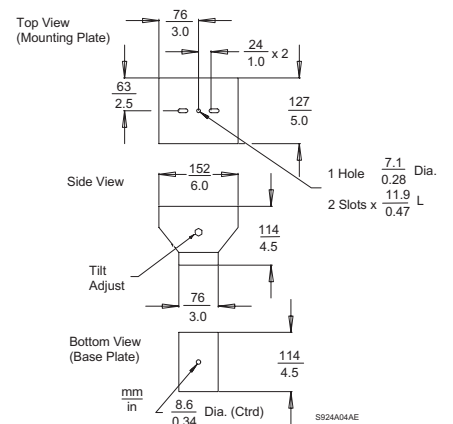
LTC 9227/00 Adjustable Head Mount

Maximum Rated Load: 45.3 kg (100 lb).

Mounting Hardware: Not furnished.

Finish: Mushroom.

Weight: 0.55 kg (1.2 lb).



LTC 9227/00

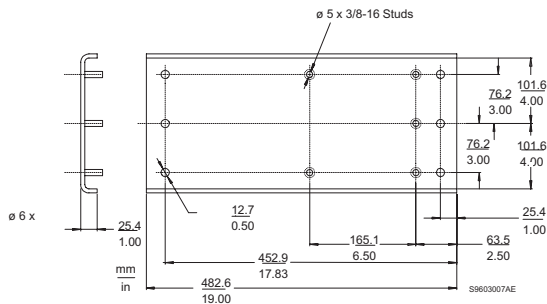
LTC 9228/00 Flange Bracket

Maximum Rated Load: 45.3 kg (100 lb).

Mounting Hardware: (5) 3/8-16 x 1 1/4 studs, (5) 3/8 flat washers, and (5) 3/8-16 lock nuts.

Finish: Mushroom..

Weight: 2.1 kg (4.6 lb).



LTC 9228/00

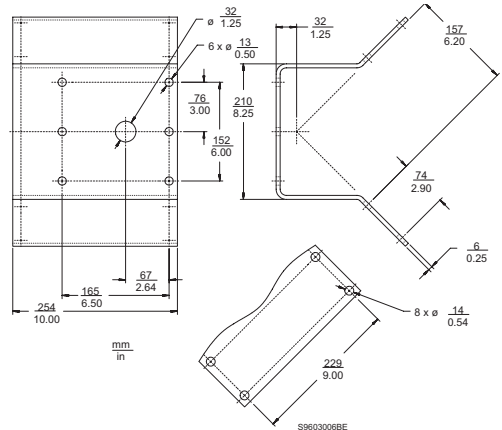
LTC 9226/00 Corner Bracket

Maximum Rated Load: 45.3 kg (100 lb).

Mounting Hardware: Not furnished.

Finish: Mushroom..

Weight: 2.9 kg (6.5 lb).



LTC 9226/00

LTC 9225/00 Pole Mount

Maximum Rated Load: 45.3 kg (100 lb).

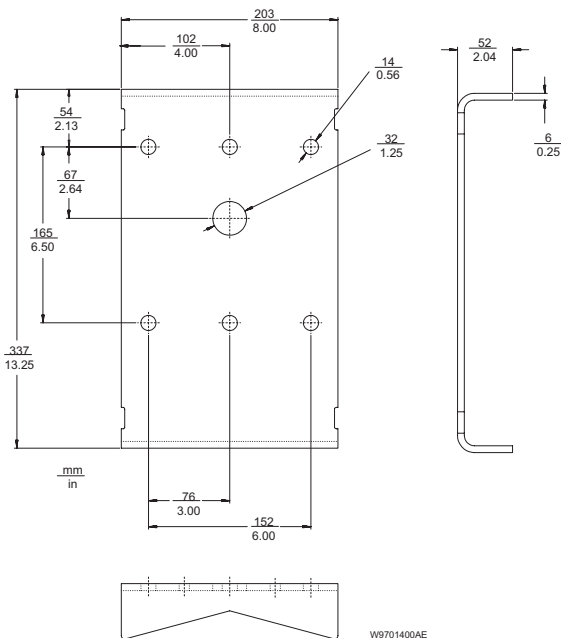
Mounting Hardware: (2) 5 ft stainless steel straps, (2) banding clips, (6) hex head cap screws, (6) flat and lock washers, and (6) hex nuts furnished with unit.

Options: TC9311PM3T strapping tool available.

Finish: Mushroom..

Weight:

LTC 9225/00: 1.4 kg (3.0 lb).



LTC 9225/00

9498 961 03511 98-23
Printed in U.S.A.

© 1998 Philips Electronics N.V.
© 1998 Philips Communication & Security Systems Inc.
All Rights Reserved. Philips® is a registered trademark of Philips Electronics N.V.
Data subject to change without notice.



PHILIPS

Let's make things better.