

# Rialto™ A4

## 4 Channel Analog Analytics Appliance



### Self-Learning Video Analytics For 3<sup>rd</sup> Party Analog & Thermal Security Cameras

The Rialto™ A4 analytics appliance provides a cost-effective way to easily add video analytics to analog video surveillance systems. Analyze and record up to 4 security cameras per unit. The high density, small footprint makes it easy to deploy and scale, and there are no complicated per camera license fees or registration processes. The A4 is a fast and easy way to add realtime response capabilities to any analog video surveillance system.



#### Self-Learning Video Analytics

Avigilon's field proven video analytics classify people and vehicles while eliminating normal scene activity such as moving trees, leaves, shadows, or reflections from water or glass. Advanced video pattern-based analytics detect, track and classify activities of interest. Even in the most challenging outdoor environments, customers experience extremely low false positive rates while receiving instant notification when suspicious activity occurs. Additionally, the Rialto appliance's advanced self-learning technology continuously improves the system's performance over time. The A4 supports full 30 fps D1 (720 x 480) video resolution. Objects are detected at up to 200 ft for D1 cameras. The A4 also supports thermal cameras for critical perimeter protection requirements for a maximum range up to 2000 ft. Detection ranges are camera, lens, and lighting dependent.

#### Instant Notification

Within seconds of a suspect triggering user defined analytics rules, an instant notification is sent to your security personnel's workstation. Officers can view live video and use audio talk down directly from their PC.

#### Fast Install

The A4 is easy to use and install. Simply connect the A4 to your network and add or set up your cameras. It's ready to use right out of the box. Analog cameras are connected directly via BNC ports on the back of the A4 unit. Self-learning and an intuitive rules interface makes it straightforward to integrate our award-winning analytics with either your existing cameras and VMS system or as a stand-alone system.

#### Edge Storage

The Rialto A4 appliance is available with a 40 GB of SSD or 500 GB HDD for on board storage. On-board storage eliminates the need for central servers, reducing network traffic and bandwidth consumption by over 90%. The A4 is easily deployed in any environment, including mixed IT networks, wireless networks and WAN deployments and requires no additional infrastructure upgrades.

## Optimized Bandwidth & Storage

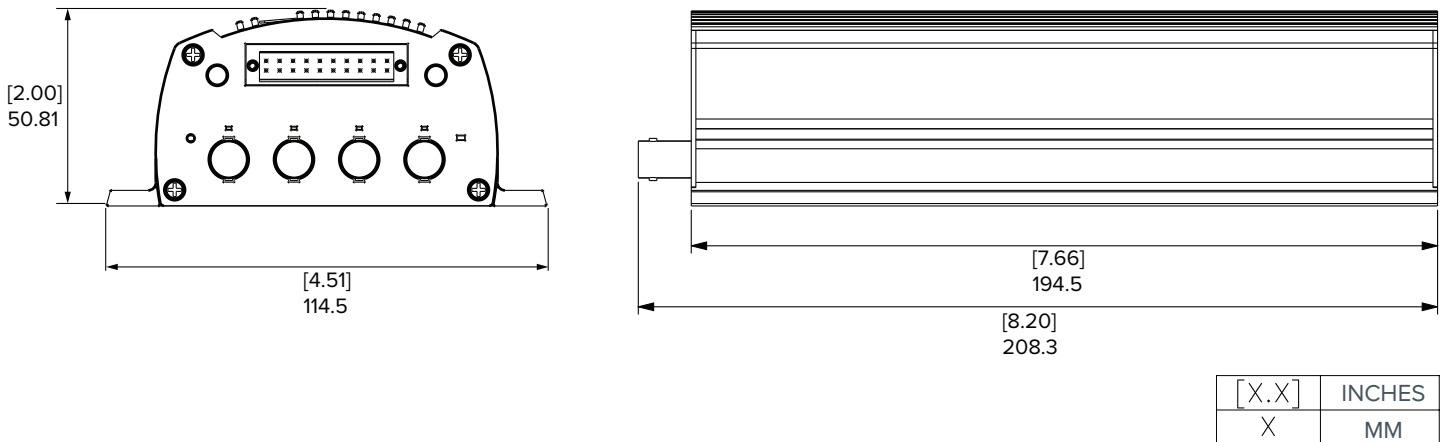
Like all Avigilon devices, the Rialto A4 appliance is designed for optimal network bandwidth and storage usage – the A4 includes a 40GB SSD or 500GB HDD for local storage.

The A4 supports Triple Stream Encoding - an intelligent recording stream, which varies compression quality and frame rate, based on whether or not the video contains an event that the user is interested in. A low Bandwidth Network Stream allows the user to view live video across low bandwidth networks (i.e. 3G/4G cellular networks) and a mobile MJPEG stream allows easy decoding and display on mobile devices.

## Enhanced Features

Audio Channels	Multiple audio inputs and outputs allow for flexibility in designing a system adapted for alarm response
Onboard Storage	Every device comes with storage, eliminating the requirement for extra equipment
4 Channel Layout	Single chassis supports multiple cameras, including a mix of Day/Night, Thermal, etc.
Power Options	12VDC, 15 Watts with 110V/60Hz and 220V/50Hz power adapters

## Outline Dimensions



## Supported Video Analytics Events

Objects in Area	The event is triggered when the selected object type moves into the region of interest. If the number of objects is exceeded, a new event is not triggered until the number of objects falls below the defined value.
Object Loitering	The event is triggered when the selected object type stays within the region of interest for an extended amount of time. The event is reset when the object leaves the region of interest.
Objects Crossing Beam	The event is triggered when the specified number of objects have crossed the directional beam that has is configured over the camera's field of view. The beam can be unidirectional or bidirectional. If the number of objects is exceeded, a new event is not triggered until the event timesout.
Object Appears or Enters Area	The event is triggered by each object that enters the region of interest. This event can be used to count objects.
Object Not Present in Area	The event is triggered when no objects are present in the region of interest.
Objects Enter Area	The event is triggered when the specified number of objects have entered the region of interest.
Objects Leave Area	The event is triggered when the specified number of objects have left the region of interest.
Object Stops in Area	The event is triggered when an object in a region of interest stops moving for the specified threshold time.
Direction Violated	The event is triggered when an object moves in the prohibited direction of travel.
Tamper Detection	The event is triggered when the scene unexpectedly changes.

# Rialto™ A4 Analytics Bridge Specifications

## VIDEO ANALYTICS SUPPORT

Advanced Video Pattern Detection

## STORAGE

Typical storage 40 GB: 3-5 days

Typical storage 160 GB: 3-4 weeks

Typical storage 500 GB: up to 2 mos

## VIDEO COMPRESSION

H.264 compression, MJPEG for mobile

Frame Rate: Up to 30 frames per second in all resolutions

Triple Stream Encoding: Alarm events at high quality, resolution & frame rate. Continuous recording at lower quality & frame rate (selectable)

MJPEG stream for mobile devices

Visual alarm indicators (colored boxes around objects detected) can be turned on or off at the display

Programmable pre-alarm video recording

## ENCODER

Video input (4): NISTC or PAL via BNC connectors

Software PTZ control from View software or USB joystick

Supports Pelco P or D Protocol for PTZ control

PTZ addresses: 0 to 255

## NETWORKING & COMMUNICATIONS

Ethernet 10/100 BaseT — RJ45 connector

Protocols: HTTP, HTTPS, TCP, RTSP, UDP, RTCP, DHCP, NTP, DNS

Security: Multiple user access levels with password protection, IP address filtering, & HTTPS encryption

Serial communications: RS-232 or RS-485 (auto-detected) — terminal block

Web browser access to encoder via built-in web server

## ALARM & AUDIO INPUTS & OUTPUTS

2 Audio inputs, 2 Audio outputs via two 3.5mm jacks

Audio compression: G.711

Audio streaming live two-way: full duplex

Audio recording — alarm or continuous

Four alarm inputs — TTL

Four Alarm outputs — Optical relay, 20mA max. Programmable normally open or normally closed.

One alarm relay output — SPST, 400mA max, Programmable normally open or normally closed.

## DIAGNOSTICS

Loss of communications trouble alert

Hard drive failure alert

Self-diagnostics built in

Camera tampering alert

## POWER

12 VDC: 15W max

10 watts typical

AC/DC adapter supplied

Optionally powered via Terminal Block

## ENVIRONMENTAL

Operating Temp: 0°C to 50°C (32°F to 122°F)

Storage Temp: -20°C to 85°C (-4°F to 185°F)

Humidity: 20-80% RH (non-condensing)

## DIMENSION & WEIGHT

(L x W x H): 208.3mm x 114.5mm x 50.81mm  
8.2" x 4.51" x 2"

Weight: 816 g (1.8 lbs)

## ORDERING INFORMATION

VAA-A4-S40GB Rialto™ A4 analytics appliance, 4 channel analog encoder with 40GB of solid state drive storage

VAA-A4-H500G Rialto™ A4 analytics appliance, 4 channel analog encoder with 500GB of hard disk drive storage