

H6A AND H6X DOME CAMERAS

2 MP

4 MP

6 MP

8 MP

The Avigilon **H6A camera line** elevates your situational awareness to new heights by combining onboard video analytics with audio analytics. It comes with a built-in mic to alert you of auditory disturbances, allowing you to not only see, but also hear what's happening. If you need to meet certain privacy and/or cybersecurity requirements, the AI-powered **H6X camera line** has been designed with no built-in mic nor wireless technology for easy compliance. Take on any environment with the flexible **dome** form factor that's available on both camera lines. Its modular design and multiple mounting options offer maximum installation flexibility.



FEATURES

ADAPTAI VIDEO ANALYTICS



Be a step ahead of incidents with the camera's ability to flag unusual crowds or a person crawling under a fence. Classify more objects such as a commercial van, pick-up truck or box truck with analytics event support.¹

AUDIO ANALYTICS & RECORDING



Expand your awareness with alerts for gunshots², breaking glass, screaming and more. Review video from the triggering camera to investigate the sound. Have the option to record audio when you need it.

DYNAMIC PRIVACY MASKING³



Easily meet privacy requirements with the ability to track and blur people and vehicles appearing in video, but have the flexibility for authorized personnel to lift it during investigations.

OUTDOOR-READY DESIGN



Safeguard the outdoors with the exceptionally tough outdoor dome that is rated IK10/11, IP66/67 and NEMA Type 4X⁴ to withstand impact, water, corrosion and more.

LOW-LIGHT CLARITY



Never miss a moment in low-light conditions with IR models available. The split IR dome is designed for 24/7 visibility, even when dust collects on the camera, reducing the number of maintenance visits.

SECURE & COMPLIANT



Trust that your data is well-protected with advanced cybersecurity features such as an onboard FIPS 140-2 level 3 compliant TPM and Secure Boot.

¹ Crowd detection and additional truck subclasses to be available post-launch via a firmware upgrade.

² Separate license required.

³ Dynamic privacy masking to be available post-launch via a firmware upgrade.

⁴ Environmental ratings will vary by models.

SPECIFICATIONS

IMAGE PERFORMANCE		2.0 MP	4.0 MP	6.0 MP	8.0 MP (4K ULTRA HD)
Image Sensor		1/2.8" progressive scan CMOS	1/1.8" progressive scan CMOS		
Max Resolution (H x V) and Aspect Ratio	Primary	(16:9) 1920 x 1080	(16:9) 2688 x 1520, 2560 x 1440, 1920 x 1080 (4:3) 1984 x 1488	(16:9) 3328 x 1872, 3200 x 1800, 2688 x 1520, 2560 x 1440, 1920 x 1080 (4:3) 2880 x 2160, 2304 x 1728, 2048 x 1536	(16:9) 3840 x 2160, 3328 x 1872, 3200 x 1800, 3072 x 1728 (4:3) 2880 x 2160, 2560 x 1920
	Secondary	(16:9) 1920 x 1080*, 1280 x 720, 768 x 432, 640 x 360, 512 x 288	(16:9) 2688 x 1520*, 1920 x 1080, 1280 x 720, 768 x 432, 640 x 360, 512 x 288 (4:3) 1984 x 1488*, 1920 x 1440, 1600 x 1200, 1280 x 960, 768 x 576, 640 x 480, 512 x 384, 384 x 288;	(16:9) 3328 x 1872*, 1920 x 1080, 1280 x 720, 768 x 432, 640 x 360, 512 x 288 (4:3) 2880 x 2160*, 1920 x 1440, 1600 x 1200, 1280 x 960, 768 x 576, 640 x 480, 512 x 384, 384 x 288	(16:9) 3840 x 2160*, 2560 x 1440, 1920 x 1080, 1280 x 720, 768 x 432, 640 x 360, 512 x 288 (4:3) 2880 x 2160*, 2560 x 1920, 2304 x 1728, 1920 x 1440, 1600 x 1200, 1280 x 960, 768 x 576, 640 x 480, 512 x 384
	Tertiary	(16:9) 1280 x 720, 768 x 432, 640 x 360, 512 x 288, 384 x 216	(16:9) 1280 x 720, 768 x 432, 640 x 360, 512 x 288, 384 x 216 (4:3) 1280 x 960, 800 x 600, 640 x 480, 512 x 384, 368 x 264	(16:9) 1280 x 720, 768 x 432, 640 x 360, 512 x 288, 384 x 216 (4:3) 1280 x 960, 768 x 576, 640 x 480, 512 x 384, 384 x 288, 368 x 264	(16:9) 1920 x 1080, 1280 x 720, 768 x 432, 640 x 360, 512 x 288, 384 x 216 (4:3) 1920 x 1440, 1600 x 1200, 1280 x 960, 800 x 600, 640 x 480, 512 x 384, 384 x 288, 368 x 264
Dynamic Range	WDR Off	Up to 83 dB			
	WDR On (IEC 62676)	Up to 126 dB (dual exposure, 30 fps) Up to 144 dB (triple exposure, 20 fps or less)	Up to 106dB (dual exposure, 30 fps) Up to 136dB (triple exposure, 20 fps or less)	Up to 130dB (dual exposure, 30 fps)	
	WDR On	Up to 130 dB (dual exposure, 30 fps) Up to 150 dB (triple exposure, 20 fps or less)	Up to 120dB (dual exposure, 30 fps) Up to 144dB (triple exposure, 20 fps or less)	Up to 144 dB (dual exposure, 20 fps or less)	
Max Image Rate		(50 Hz/60 Hz): 50 fps/60 fps in High Frame Rate Mode ¹ , otherwise 25 fps/30 fps		(50 Hz/60 Hz): 25 fps/30 fps	
Bandwidth Management		HDSM SmartCodec technology; Idle scene mode			

*Only available at half frame rate of the primary stream.

¹ Max Frame Rate of 60 fps is only achievable with High Frame Rate mode enabled. High Frame Rate mode will disable analytics.

LENS AND IR ILLUMINATION		2.8 - 12 MM	4.4 - 9.3 MM	10.9 - 29 MM
IR Illumination Max Distance ² (high power 850 nm LEDs)		50 m (164 ft) full tele 25 m (82 ft) full wide	50 m (164 ft) full tele 25 m (82 ft) full wide	70 m (230 ft) full tele 40 m (131 ft) full wide
Minimum Illumination	2 MP	With IR: 0 lux in monochrome mode Without IR: 0.003 lux in monochrome mode; 0.01 lux in color mode	N/A	With IR: 0 lux in monochrome mode Without IR: 0.004 lux in monochrome mode; 0.01 lux in color mode
	4 MP	N/A	With IR: 0 lux in monochrome mode Without IR: 0.003 lux in monochrome mode; 0.008 lux in color mode	With IR: 0 lux in monochrome mode Without IR: 0.004 lux in monochrome mode; 0.01 lux in color mode
	6 MP & 8 MP	N/A	With IR: 0 lux in monochrome mode Without IR: 0.006 lux in monochrome mode; 0.02 lux in color mode	With IR: 0 lux in monochrome mode Without IR: 0.008 lux in monochrome mode; 0.03 lux in color mode
Horizontal Angle of View Based on Aspect Ratio	2 MP	(16:9) 27° – 119°	N/A	(16:9) 11° – 30°
	4 MP	N/A	(16:9) 47° – 111° (4:3) 35° – 78°	(16:9) 15° – 42° (4:3) 11° – 31°
	6 MP & 8MP	N/A	(16:9) 47° – 109° (4:3) 35° – 78°	(16:9) 15° – 42° (4:3) 11° – 31°

LENS AND IR ILLUMINATION		2.8 - 12 MM	4.4 - 9.3 MM	10.9 - 29 MM
Vertical Angle of View Based on Aspect Ratio	2 MP	(16:9) 15° – 64°	N/A	(16:9) 6° – 16.5°
	4 MP & 6 MP & 8 MP	N/A	(16:9) 26° – 57° (4:3) 26° – 57°	(16:9) 9° – 23° (4:3) 9° – 23°
Max Aperture		F1.4	F1.3	F1.7
Control		Remote Zoom and Focus, Autofocus, IR Cut Filter		

² IR illumination power may be reduced at higher operating temperatures.

IMAGE CONTROL	
Image Compression Method	H.264 HDSM SmartCodec, H.265 HDSM SmartCodec, Motion JPEG
Streaming	Multi-stream H.264, Multi-stream H.265, Motion JPEG
Motion Detection	Pixel motion: Selectable sensitivity and threshold. Classified object detection
Camera Tamper Detection	Yes
Electronic Shutter Control	Automatic, Manual (1/7.5 to 1/15000 sec)
Iris Control	Automatic, Open, Closed
Day/Night Control	Automatic, Manual, External
Flicker Control	60 Hz, 50 Hz
White Balance	Automatic, Manual
Backlight Compensation	Adjustable
Image Rotation	0°, 90°, 180°, 270° including Corridor Mode
Privacy Zones	Up to 64 zones

NETWORK	
Network	100BASE-TX for H6A, 1000BASE-T for H6X
Cabling	CAT5e
Connector	RJ-45
ONVIF	ONVIF® compliance Profile S, Profile T, Profile M and Profile G (www.onvif.org)
Security	Password protection, HTTPS encryption, digest authentication, WS authentication, user access log, 802.1x port based authentication, FIPS 140-2 L1 (with optional camera license), onboard FIPS 140-2 L3 certified TPM, Secure Boot
Protocols	IPv6, IPv4, HTTP, HTTPS, SOAP, DNS, NTP, RTSP, RTCP, RTP, TCP, UDP, IGMP, ICMP, DHCP, Zeroconf, ARP, HSTS
Streaming Protocols	RTP/UDP, RTP/UDP multicast, RTP/RTSP/TCP, RTP/RTSP/HTTP/TCP, RTP/RTSP/HTTPS/TCP, HTTP
Device Management Protocols	SNMP v2c, SNMP v3

PERIPHERALS	
USB Port	USB 2.0
Onboard Storage	Two microSD/microSDHC/microSDXC slots – video speed class card required. Class V10 or better recommended.

AUXILIARY I/O	
Audio Compression Method	G.711 PCM 8 kHz, Opus
Audio Input/Output	Line level input and output
External I/O Terminals	1 x Relay In, 1 x Relay Out, 1 x 12 VDC out at 50 mA
Microphone	Built-in microphone for audio analytics, for certain variants, with physical disable switch

MECHANICAL		SURFACE MOUNT	IN-CEILING MOUNT	PENDANT MOUNT
Dimensions (DxH)		182 mm x 132 mm; 7.16" x 5.19"	219 mm x 198 mm; 8.62" x 7.79"	182 mm x 190 mm; 7.16" x 7.48"
Accessory Only Dimensions (DxH)		N/A	219 mm x 115 mm; 8.62" x 4.52"	155 mm x 65 mm; 6.1" x 2.55"
Weight	Indoor Dome	1.21 kg; 2.66 lbs	1.83 kg; 4.03 lbs	1.63 kg; 3.59 lbs
	Outdoor Dome	1.59 kg; 3.5 lbs	1.99 kg; 4.38 lbs	2.01 kg; 4.43 lbs

MECHANICAL		SURFACE MOUNT	IN-CEILING MOUNT	PENDANT MOUNT
Dome Bubble		Polycarbonate	Polycarbonate	Polycarbonate
Body		Polycarbonate and aluminum	Polycarbonate and aluminum	Polycarbonate and aluminum
Housing		Surface mount	Recessed mount	Pendant mount
Finish	Indoor Dome	Plastic injection mold grey (Pantone 427C)	Plastic injection mold grey (Pantone 427C) & Powdercoat black	Powdercoat grey & plastic injection mold grey (Pantone 427C)
	Outdoor Dome	Powdercoat grey (Pantone 427C)	Plastic injection mold grey (Pantone 427C) & Powdercoat black	Powdercoat grey (Pantone 427C)
Adjustment Range		Pan 360°, Azimuth 349°, Tilt 92°		

ELECTRICAL		
Power Consumption		25W (18W with no IR or IR disabled)
Power Source	PoE	IEEE 802.3af Class 3
	PoE+	IEEE 802.3at Class 4
IR Illumination Behavior	PoE	IR illuminator will turn off if the temperature is 65°C (149°F) or higher. The illuminator will operate at 50% power and 25% power if below -25°C (-13°F)
	PoE+	IR illuminator will turn off if the temperature is 65°C (149°F) or higher. The illuminator will operate at 50% power if the temperature is between 55°C (131°F) and 65°C (149°F) and 50% power if below -25°C (-13°F)
External Power		12-24 VDC +/-10%
RTC Backup Battery		3V manganese lithium
Memory		4GB RAM, 4GB Flash
Redundant Power		Seamless failover between PoE and Aux and back without interrupt in camera operation (for H6X only)

ENVIRONMENTAL		
Operating Temperature	PoE	-30°C to +65°C (-22°F to 140°F) with IEEE 802.3af Class 3 (13W PoE)
	With External Power or PoE+	-50°C to +65°C (-58°F to 140°F) with external power or IEEE 802.3at Class 4 (25.5W PoE+)
Startup Temperature	PoE	-30°C to +65°C (-22°F to 140°F) with IEEE 802.3af Class 3 (13W PoE)
	With External Power or PoE+	-40°C to +50°C (-40°F to 122°F) with external power or IEEE 802.3at Class 4 (25.5W PoE+)
Absolute Maximum Temperature		74 °C (165 °F) per NEMA TS2 (Temp.) para 2.2.7.2 - 2.2.7.7
Storage Temperature		-10°C to +70°C (14°F to 158°F)
Humidity		0 - 95% non-condensing

CERTIFICATIONS		
Certifications/Directives		UL, cUL, CE, ROHS, RCM, UKCA, NOM, KC, BIS
Safety		UL 62368-1, CSA 62368-1, IEC/EN 62368-1, IEC 62471, UL 2043 Plenum (in-ceiling only)
Environmental	Indoor Dome	IEC 60529 IP54, IEC/EN 62262 IK11 (IK10 Surface Mount w/IR)
	Outdoor Dome	IEC 60529 IP66, IP67, IP68 (2m depth for 2 hours), IPX9K, NEMA 4X, IEC 60068-2 Shock & Vibration, NEMA TS2 Sec 2.2.7-2.2.9, IK11
Electromagnetic Emissions		FCC Part 15 Subpart B Class B, ICES-003 Class B, EN 55032 Class B, EN 61000-6-3, EN 61000-3-2, EN 61000-3-3, EN 50121-4, EN 50130-4
Electromagnetic Immunity		EN 55035, EN 61000-6-1, EN 50121-4, EN 50130-4
Warranty		Limited 5 Year Warranty (avigilon.com/warranty)

ANALYTICS SPECIFICATIONS

SUPPORTED ANALYTICS EVENTS

Objects in Area	The event is triggered when the selected object type moves into the region of interest.
Object Loitering	The event is triggered when the selected object type moves into the region of interest and then stays for an extended amount of time.
Objects Crossing Beam	The event is triggered when the specified number of objects have crossed the directional beam that is configured over the camera's field of view. The beam can be unidirectional or bidirectional.
Object Appears or Enters Area	The event is triggered by each object that enters the region of interest. This event can be used to count objects.
Object Not Present in Area	The event is triggered when no objects are present in the region of interest.
Objects Enter Area	The event is triggered when the specified number of objects have entered the region of interest.
Objects Leave Area	The event is triggered when the specified number of objects have left the region of interest.
Object Stops in Area	The event is triggered when an object moves into a region of interest and then stops moving for the specified threshold time.
Direction Violated	The event is triggered when an object moves in the prohibited direction of travel.
Smart Motion Rule	Events are sent for person (including crawling) and vehicle present, against default unchangeable parameters
Tamper Detection	The event is triggered when the scene unexpectedly changes.

Analytics capabilities, including detection range, may vary by camera line. Please consult the Avigilon Self-Learning Video Analytics Design Guide for details

SUPPORTED CLASSIFIED OBJECT TYPES

Object Types in Outdoor Mode	Vehicle, sub-types: Car, Truck, Bicycle, Motorcycle, Bus Person
Object Types in Indoor Mode	Person

TEACH BY EXAMPLE

Teach By Example	Yes, when used with Avigilon Control Center™ or Avigilon Unity Video
------------------	--

SUPPORTED AUDIO ANALYTICS EVENTS

Gunshot ¹	Up to 100 meters
Scream	Up to 15 meters
Glass Break	Up to 15 meters
Car Alarm	Up to 30 meters
Smoke Alarm	Up to 15 meters
Dog Bark	Up to 15 meters
Loud Noise	Up to 40 meters
Ultrasonic Panic Alarm ²	Up to 40 meters

¹ Optional add-on license required.

² The detection range is influenced by the quality and power of the device used to create the panic alarm.

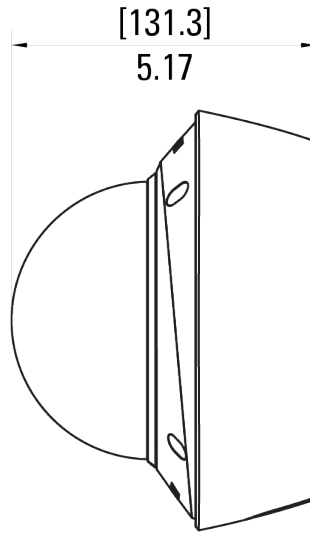
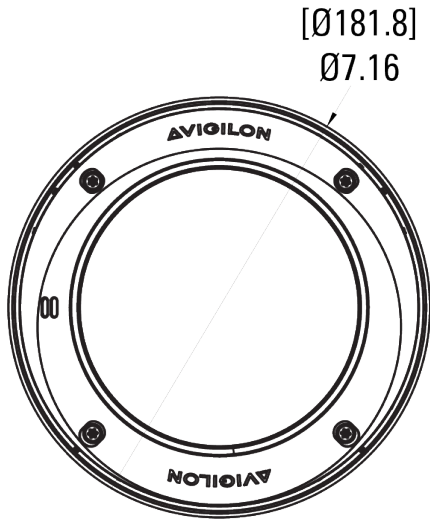
AVIGILON SOFTWARE SUPPORTED FEATURES

Avigilon Unity Video 8.0 or higher	All supported analytic events with people and vehicles and all vehicle sub-types as classified objects. Appearance search when paired with appropriate server hardware. Unusual Activity Detection. H.265 supported. Audio analytics. Crowd analytics. Classified object privacy masking.
ACC Version 7.2 or higher	All supported analytic events with people and vehicles as classified objects. Appearance search when paired with appropriate server hardware. Unusual Activity Detection. H.265 supported.

OUTLINE DIMENSIONS

DOMI CAMERA WITH SURFACE MOUNT

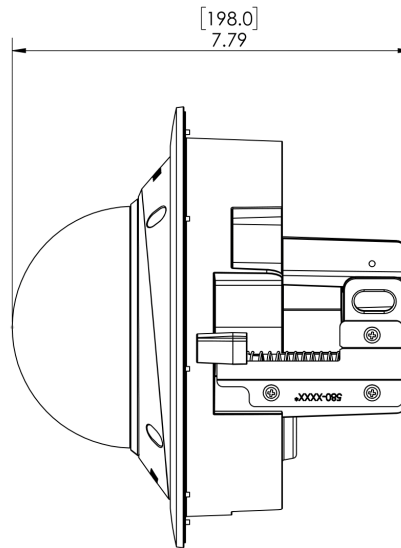
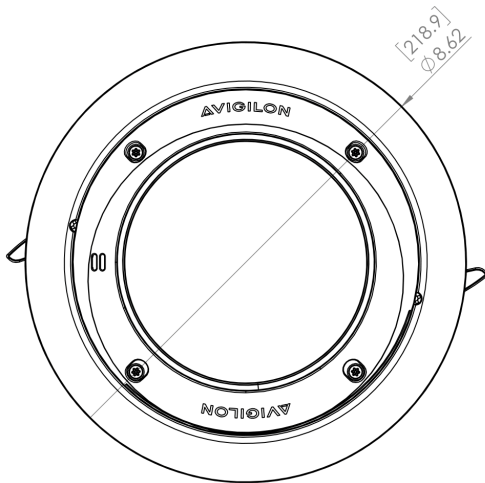
(H6A DOME CAMERA + PROVIDED SURFACE MOUNT)



[X.X]	INCHES
X	MM

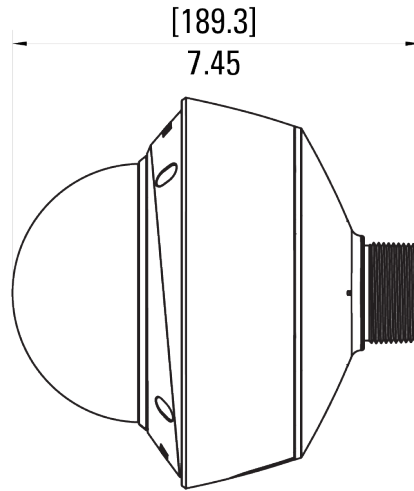
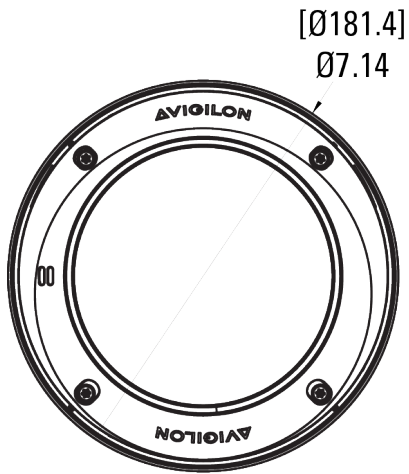
DOMI CAMERA WITH IN-CEILING MOUNT

(H6A DOME CAMERA + CLADP-1001)



DOME CAMERA WITH NPT ADAPTER





(H6A DOME CAMERA + H6A-MT-NPTA1)



DOME CAMERA WITH NPT ADAPTER AND PENDANT WALL MOUNT

(H6A DOME CAMERA + H6A-MT-NPTA1 + WLMT-1021)

ORDERING INFORMATION

MOUNTING SCENARIO		ORDERING INFORMATION
PENDANT WALL MOUNT		<p>Order one of:</p> <ul style="list-style-type: none"> ■ Indoor or outdoor surface mount camera ■ H6A-MT-NPTA1 ■ WLMT-1021
PENDANT NPT MOUNT		<p>Order one of:</p> <ul style="list-style-type: none"> ■ Camera module ■ H6A-MT-NPTA1 <p>Optional:</p> <ul style="list-style-type: none"> ■ PLMT-1001 (Pole mount adapter) ■ CRNMT-1001 (Corner mount adapter)
SURFACE MOUNT		<p>Order one of:</p> <ul style="list-style-type: none"> ■ Camera module <p>Optional:</p> <ul style="list-style-type: none"> ■ DMSLD-1001 (weathershield)
IN-CEILING MOUNT		<p>Order one of:</p> <ul style="list-style-type: none"> ■ Camera module ■ CLADP-1001 <p>Optional:</p> <ul style="list-style-type: none"> ■ CLPNL-1011 (metal ceiling panel)

OUTDOOR DOME CAMERA

(H6A-DO)

	MP	WDR	LIGHTCATCHER TECHNOLOGY	LENS	IR	ANALYTICS	HDSM SMARTCODEC	MICROPHONE	SEAMLESS FAILOVER
2.0C-H6A-D01	2.0	✓	✓	2.8 - 12 mm		✓	✓	✓	
2.0C-H6A-D02	2.0	✓	✓	10.9 - 29 mm		✓	✓	✓	
2.0C-H6A-D01-IR	2.0	✓	✓	2.8 - 12 mm	✓	✓	✓	✓	
2.0C-H6A-D02-IR	2.0	✓	✓	10.9 - 29 mm	✓	✓	✓	✓	
4.0C-H6A-D01	4.0	✓	✓	4.4 - 9.3 mm		✓	✓	✓	
4.0C-H6A-D02	4.0	✓	✓	10.9 - 29 mm		✓	✓	✓	
4.0C-H6A-D01-IR	4.0	✓	✓	4.4 - 9.3 mm	✓	✓	✓	✓	
4.0C-H6A-D02-IR	4.0	✓	✓	10.9 - 29 mm	✓	✓	✓	✓	
6.0C-H6A-D01	6.0	✓	✓	4.4 - 9.3 mm		✓	✓	✓	
6.0C-H6A-D02	6.0	✓	✓	10.9 - 29 mm		✓	✓	✓	
6.0C-H6A-D01-IR	6.0	✓	✓	4.4 - 9.3 mm	✓	✓	✓	✓	
6.0C-H6A-D02-IR	6.0	✓	✓	10.9 - 29 mm	✓	✓	✓	✓	
8.0C-H6A-D01	8.0	✓	✓	4.4 - 9.3 mm		✓	✓	✓	
8.0C-H6A-D02	8.0	✓	✓	10.9 - 29 mm		✓	✓	✓	
8.0C-H6A-D01-IR	8.0	✓	✓	4.4 - 9.3 mm	✓	✓	✓	✓	
8.0C-H6A-D02-IR	8.0	✓	✓	10.9 - 29 mm	✓	✓	✓	✓	

(H6X-DO)

	MP	WDR	LIGHTCATCHER TECHNOLOGY	LENS	IR	ANALYTICS	HDSM SMARTCODEC	MICROPHONE	SEAMLESS FAILOVER
4.0C-H6X-D01-IR	4.0	✓	✓	4.4 - 9.3 mm	✓	✓	✓		✓
4.0C-H6X-D02-IR	4.0	✓	✓	10.9 - 29 mm	✓	✓	✓		✓
8.0C-H6X-D01-IR	8.0	✓	✓	4.4 - 9.3 mm	✓	✓	✓		✓
8.0C-H6X-D02-IR	8.0	✓	✓	10.9 - 29 mm	✓	✓	✓		✓

INDOOR DOME CAMERA

(H6A-D)

	MP	WDR	LIGHTCATCHER TECHNOLOGY	LENS	IR	ANALYTICS	HDSM SMARTCODEC	MICROPHONE	SEAMLESS FAILOVER
2.0C-H6A-D1	2.0	✓	✓	2.8 - 12 mm		✓	✓	✓	
2.0C-H6A-D2	2.0	✓	✓	10.9 - 29 mm		✓	✓	✓	
2.0C-H6A-D1-IR	2.0	✓	✓	2.8 - 12 mm	✓	✓	✓	✓	
2.0C-H6A-D2-IR	2.0	✓	✓	10.9 - 29 mm	✓	✓	✓	✓	
4.0C-H6A-D1	4.0	✓	✓	4.4 - 9.3 mm		✓	✓	✓	
4.0C-H6A-D2	4.0	✓	✓	10.9 - 29 mm		✓	✓	✓	
4.0C-H6A-D1-IR	4.0	✓	✓	4.4 - 9.3 mm	✓	✓	✓	✓	
4.0C-H6A-D2-IR	4.0	✓	✓	10.9 - 29 mm	✓	✓	✓	✓	
6.0C-H6A-D1	6.0	✓	✓	4.4 - 9.3 mm		✓	✓	✓	
6.0C-H6A-D2	6.0	✓	✓	10.9 - 29 mm		✓	✓	✓	
6.0C-H6A-D1-IR	6.0	✓	✓	4.4 - 9.3 mm	✓	✓	✓	✓	
6.0C-H6A-D2-IR	6.0	✓	✓	10.9 - 29 mm	✓	✓	✓	✓	
8.0C-H6A-D1	8.0	✓	✓	4.4 - 9.3 mm		✓	✓	✓	
8.0C-H6A-D2	8.0	✓	✓	10.9 - 29 mm		✓	✓	✓	
8.0C-H6A-D1-IR	8.0	✓	✓	4.4 - 9.3 mm	✓	✓	✓	✓	
8.0C-H6A-D2-IR	8.0	✓	✓	10.9 - 29 mm	✓	✓	✓	✓	

DOME CAMERA ACCESSORIES

H6A-MT-NPTA1	Pendant NPT adapter
WLMT-1021	Pendant wall arm, 1.5" NPT female, 20 cm (7.8") long
CLADP-1001	In-Ceiling adapter
CLPNL-1011	Metal ceiling panel for suspended ceiling installations
DMSLD-1001	Weathershield for dome cameras
DMBBL-1001	Replacement clear dome bubble
DMBBL-1011	Replacement IR dome bubble
DMSBL-1001	Optional smoked dome bubble, not compatible with the IR cameras
CBLKIT-1011	USB adapter cable, for use with USB-AC56 Wifi install kit
USB-AC56-NA-MSI	USB Wifi adapter install kit (North America)
USB-AC56-EU-MSI	USB Wifi adapter install kit (Europe)
GROM-1001	Camera sealing grommet, pack of 10
GROM-1011	Pipe sealing grommet, pack of 10
PLMT-1001	Pole mount adapter
CRNMT-1001	Corner mount adapter
CAM-AA-GUNSHOT	Avigilon Camera Gunshot Audio Analytics Channel, one per camera
CAM-AA-GUNSHOT-180D	Avigilon Camera Gunshot Audio Analytics Channel, 180 day demo license. Please contact Avigilon Technical Support.

SUPPORT

Learn more and find additional documentation at [avigilon.com](https://www.avigilon.com) or email sales@avigilon.com for specific product support.



AVIGILON™

Sep 2023 | Rev 1

© 2023, Motorola Solutions, Inc. All rights reserved. MOTOROLA, MOTO, MOTOROLA SOLUTIONS, and the Stylized M Logo are trademarks or registered trademarks of Motorola Trademark Holdings, LLC and are used under license. AVIGILON, the AVIGILON logo, AVIGILON CONTROL CENTER, ACC, HDSM SmartCodec and LIGHTCATCHER are trademarks of Avigilon Corporation. The absence of the symbols ™ and ® in proximity to each trademark in this document or at all is not a disclaimer of ownership of the related trademark. All other trademarks are the property of their respective owners.