

## Product description














A PULSE self-powered gets all the energy it needs to operate from the “pushing” movement when a PULSE key is inserted. There is no need for cables to the door nor any batteries, plus the cylinder retrofits to most modern Scandinavian locks without any need to change accessories. A PULSE cylinder simply replaces a traditional mechanical cylinder, allowing existing ASSA ABLOY accessories.

Digital locking systems provide control over all keys, which can be easily updated and can be tailored to suit all needs. The electronic programming of the key gives flexible access to individuals or to a group of individuals.

The retrofit possibility bringing cost savings and reducing environmentally harmful wastage. Simple upgrading also enables fast and flexible modernization of your locking system.

The PULSE lock is designed and tested to withstand harsh climate conditions and all cylinders can be used in both outdoor and indoor environments.

### Technical data

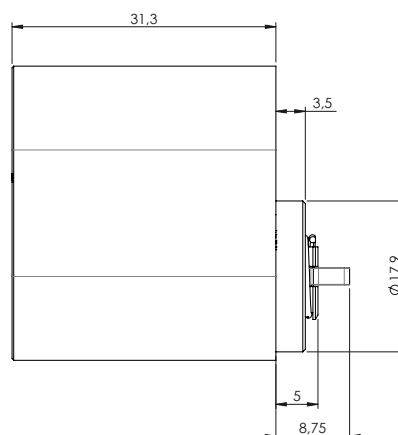
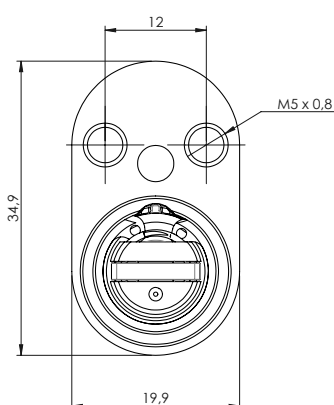
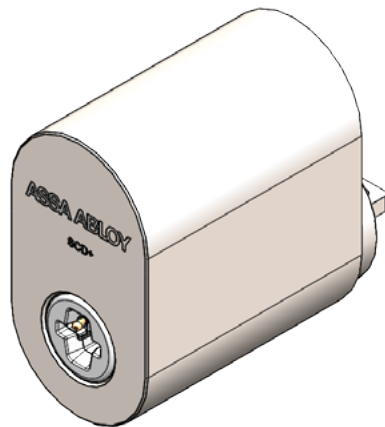
	<b>Operating temperature</b>	-35°C to +85°C
	<b>All weather-technology.</b>	For all environments, indoors and outdoors. IP55
	<b>Compatible with modern Scandinavian locks</b>	Yes
	<b>Cloud (Web) based software</b>	Managed by ASSA ABLOY Incedo Open 
	<b>Certification &amp; classification</b>	EN 15684:2012 - 1504AF22 SSF3522 - Class 3 and 5
	<b>Timestamp functionality as standard</b>	Yes
	<b>Audit trails</b>	500 events
	<b>Access rights</b>	70 areas or groups
	<b>Blocked keys</b>	80 keys
	<b>No battery</b>	The lock does not use batteries. The energy is created by generating in the lock cylinder
	<b>Sustainability</b>	The lock is tested according to the standard SSF 3522 for 200,000 opening cycles, double against the requirements
	<b>Maintenece</b>	Service with ASSA ABLOY lock spray once every year.

## Overview of advantages

- Digital lock without batteries or cables
- Energy harvesting functionality
- Insurance approved locking (SSF 3522)
- EN 15684 certified
- The cylinder can be deprogrammed and reused in a new PULSE system\*
- Cylinder dimensions and installation are identical to a mechanical cylinder
- — so you can keep existing accessories
- 
- Audit trails are saved in both cylinder and key
- Roles can be used to manage rights to read logs.
- Integrated with the Incedo™ Open cloud-based platform
- Complete range of products:
  - Oval cylinders
  - Round cylinders
  - Camlocks

## Oval cylinders range

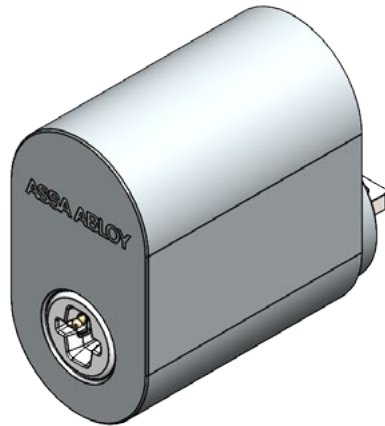
- PULSE Oval Outside Scandinavian hardened



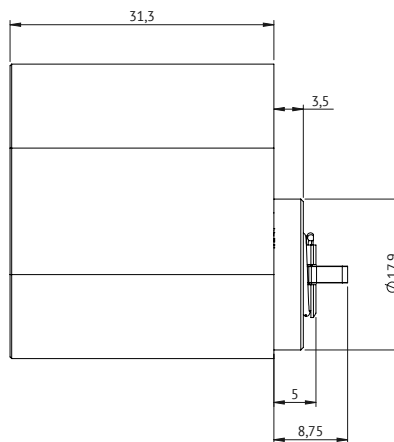
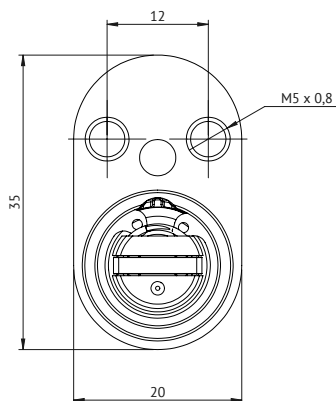
\*Note: Administrative rights required

<b>Finishes</b>	Nickel, Chrome, Sating Chrome, Stainless steel look
<b>Housing</b>	Hardened steel
<b>SSF3522</b>	Class 3
<b>Digital Security</b>	SEOS AES128
<b>Group function</b>	Yes - 70 groups
<b>Timestamp function</b>	Yes
<b>Blocklist</b>	80 keys
<b>Drill protected</b>	Yes
<b>Long-tail</b>	Yes - accessory
<b>Firmware</b>	Upgradable

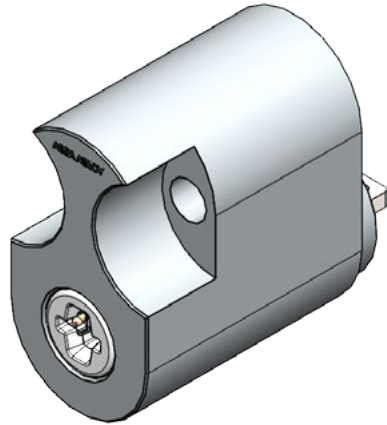
**PULSE Outside Scandinavian**



<b>Finishes</b>	Nickel, Chrome, Sating Chrome, Stainless steel look
<b>Housing</b>	Brass
<b>EN 15684:2012 classification</b>	TBC
<b>Digital Security</b>	SEOS AES128
<b>Group function</b>	Yes - 70 groups
<b>Timestamp function</b>	Yes
<b>Blocklist</b>	80 keys
<b>Drill protected</b>	No
<b>Long-tail</b>	Yes - accessory
<b>Firmware</b>	Upgradable

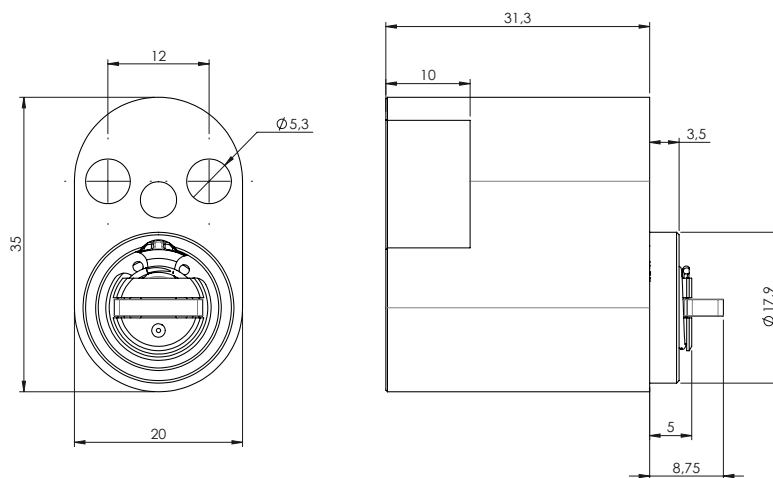


• PULSE Oval Inside Scandinavian

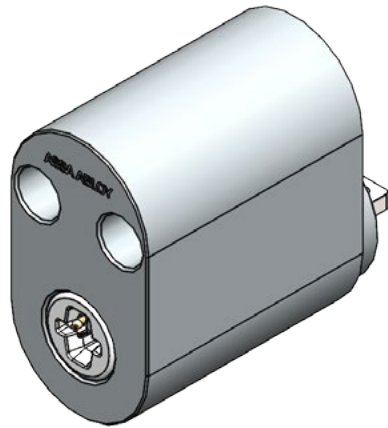


<b>Finishes</b>	Nickel, Chrome, Sating Chrome, Stainless steel look
<b>Housing</b>	Brass
<b>SSF3522</b>	Class 3*
<b>EN 15684:2012 classification</b>	TBC
<b>Digital Security</b>	SEOS AES128
<b>Group function</b>	Yes - 70 groups
<b>Timestamp function</b>	Yes
<b>Blocklist</b>	80 keys
<b>Drill protected</b>	No
<b>Long-tail</b>	Yes - accessory
<b>Firmware</b>	Upgradable

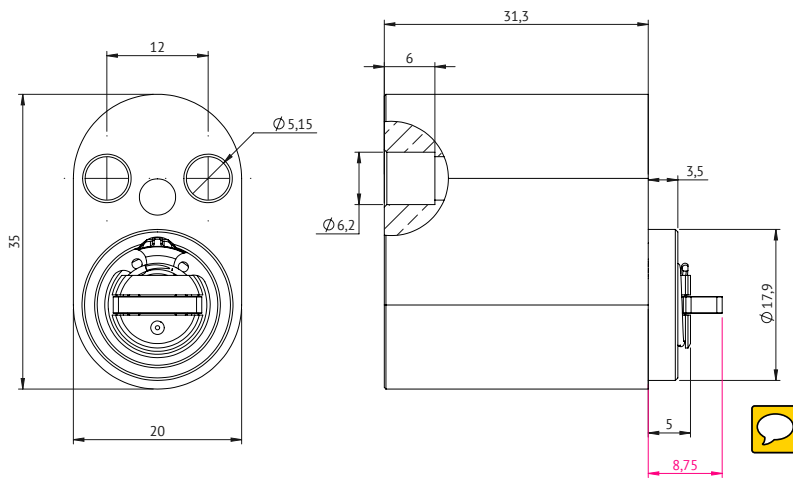
Note: If it is installed in combination with the oval outside Scandinavian hardened, it is approved according with SSF3522



• PULSE Oval Inside Norwegian



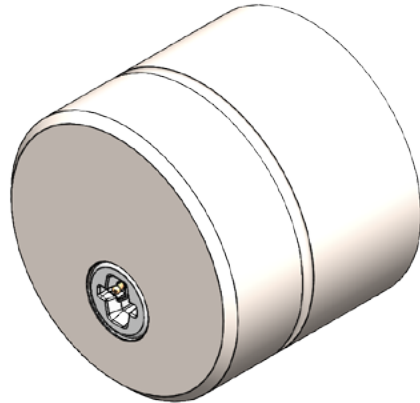
<b>Finishes</b>	Chrome, Sating Chrome,
<b>Housing</b>	Brass
<b>EN 15684:2012 classification</b>	TBC
<b>Digital Security</b>	SEOS AES128
<b>Group function</b>	Yes - 70 groups
<b>Timestamp function</b>	Yes
<b>Blocklist</b>	80 keys
<b>Drill protected</b>	No
<b>Long-tail</b>	Yes - accessory
<b>Firmware</b>	Upgradable



Note: If it is installed in combination with the oval outside Scandinavian hardened, it is approved according with SSF3522

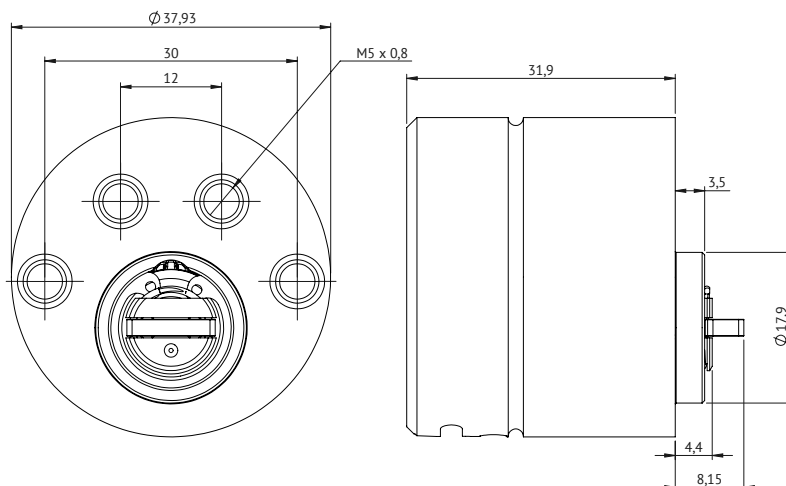
# S-round cylinders range:

• PULSE S-round Outside Scandinavian hardened

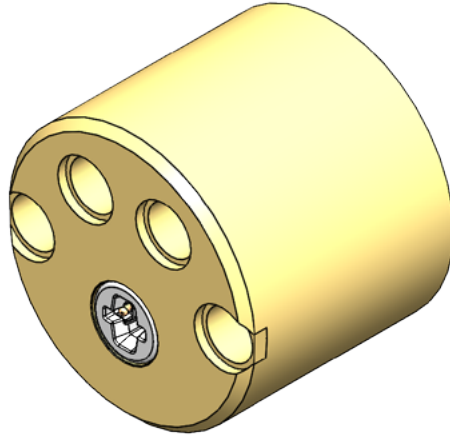


\*Finishes in:  
Nickel, Chrome,  
Sating, Chrome, Stainless  
steel look Dark brown,  
Brass, Polished brass, Prion.  
Please check out our  
website or contact us

<b>Finishes</b>	S-round fittings finishes available*
<b>Housing</b>	Hardened steel
<b>SSF3522</b>	Class 5
<b>Digital Security</b>	SEOS AES128
<b>Group function</b>	Yes - 70 groups
<b>Timestamp function</b>	Yes
<b>Blocklist</b>	80 keys
<b>Drill protected</b>	Yes
<b>Long-tail</b>	Yes - accessory
<b>Firmware</b>	Upgradable

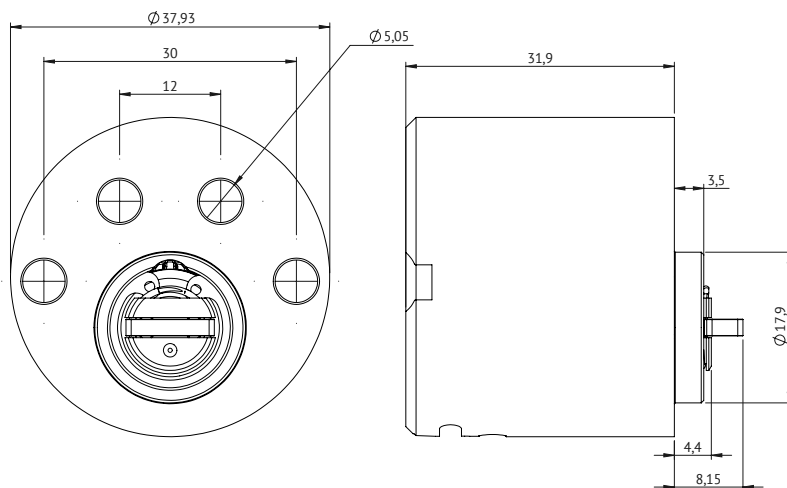


 • PULSE S-round Inside Scandinavian



\*Finnishes in:  
 Nickel, Chrome,  
 Satting, Chrome,  
 Stainless steel look  
 Dark brown,  
 Brass, Polished brass,  
 Prion.  
 Please check out our  
 website or contact us

<b>Finishes</b>	S-round fittings finishes available*
<b>Housing</b>	Hardened steel
<b>SSF3522</b>	Class 5*
<b>Digital Security</b>	SEOS AES128
<b>Group function</b>	Yes - 70 groups
<b>Timestamp function</b>	Yes
<b>Blocklist</b>	80 keys
<b>Drill protected</b>	Yes
<b>Long-tail</b>	Yes - accessory
<b>Firmware</b>	Upgradable



Note: If it is installed in combination with the S-round outside Scandinavian hardened, it is approved according with SSF3522

# PULSE Camlock:

\*Please check out our website or contact us

<b>Finishes</b>	Chrome
<b>Housing</b>	Brass
<b>Different fittings and cams available*</b>	Yes
<b>Dimensions of fitting hole</b>	16/19mm
<b>Digital Security</b>	SEOS AES128
<b>Group function</b>	Yes - 70 groups
<b>Timestamp function</b>	Yes
<b>Blocklist</b>	80 keys
<b>Drill protected</b>	No
<b>Firmware</b>	Upgradable

