

# Aperio® P100 Wireless Padlock

## Technical information

**ASSA ABLOY**  
Opening Solutions

Experience a safer  
and more open world

### Convenient and flexible protection for sensitive indoor and outside areas

The ASSA ABLOY Aperio P100 is the quickest way to upgrade access control: It is fitted without wiring or drilling and works with almost any system, via Online, Offline or OSS-standard offline integration.



#### Flexibility

P100 protects fences, gates, storage cages, racks, containers, tool cabinets and other non-standard openings.



#### Easy integration

Aperio P100 works seamlessly with access control systems integrated with Aperio via the AAPD protocol or Wiegand hub. No database integration required



#### Easy installation

It takes seconds to swap a mechanical padlock for an Aperio P100



#### Convenience

Aperio P100 reads industry-leading RFID credentials, as well as mobile (NFC)

# Aperio P100 Wireless Padlock

## Technical information



Documents  
and certificates

### Technical data and features

	<b>Authentication</b>	CARD/Mobile
	<b>RFID technologies (based on reader type)</b>	iCLASS, iCLASS SE, iCLASS Seos, MIFARE Classic, Mifare Classic SE, Mifare Ultralight, Mifare Plus, Mifare DESFire 0.6, Mifare DESFire EV1, Mifare DESFire EV2, Mifare DESFire EV3 (EV2 and EV3 only in Legacy mode), Mifare DESFire SE, PicoPass, ISO 14443A UID, ISO 14443B UID, ISO 15693 UID
	<b>RFID reading</b>	UID / Sector / Block / Application / File Segment Data – Depending on the RFID technology
	<b>RFID reading range</b>	Up to 4 cm
	<b>Mobile technologies</b>	NFC
	<b>Approvals</b>	CE, UKCA
	<b>Dimensions</b>	Body: 111,1 mm x 53,5 mm (H x W) - 42,5 Ø Shackle: 63,3 mm X 39,5 mm (H x W) - 8,7 Ø
	<b>Surface</b>	Cover case: PA 66, 20% GF. Black colour
	<b>Battery</b>	1 x Lithium CR2
	<b>Battery life</b>	10 openings per day for 27 months
	<b>Radio standard</b>	IEEE 802.15.4 (2.4 GHz)
	<b>Encryption (radio communication)</b>	AES 128 bits
	<b>Distance between device and hub</b>	Up to 25m depending on the building environment
	<b>Class of protection</b>	IP 66
	<b>Operating temperature range</b>	-20°C to 55°C
	<b>Relative humidity</b>	< 85% (condensation-free)
	<b>Communication interfaces</b>	Communication via radio (USB dongle) or micro-USB cable (accessory)
	<b>Offline and Online operation modes</b>	Aperio Online; Aperio Offline; OSS-standard Offline



#### For indoor and exterior use



#### It includes:

- 1 Padlock assembly with battery (Lithium CR2)
- Installation instructions
- Battery change tool



#### Communicates with:

- RS485 Communication Hub
- Aperio IP Communication Hub
- Wiegand Interface (standard and advanced versions) Communication Hub



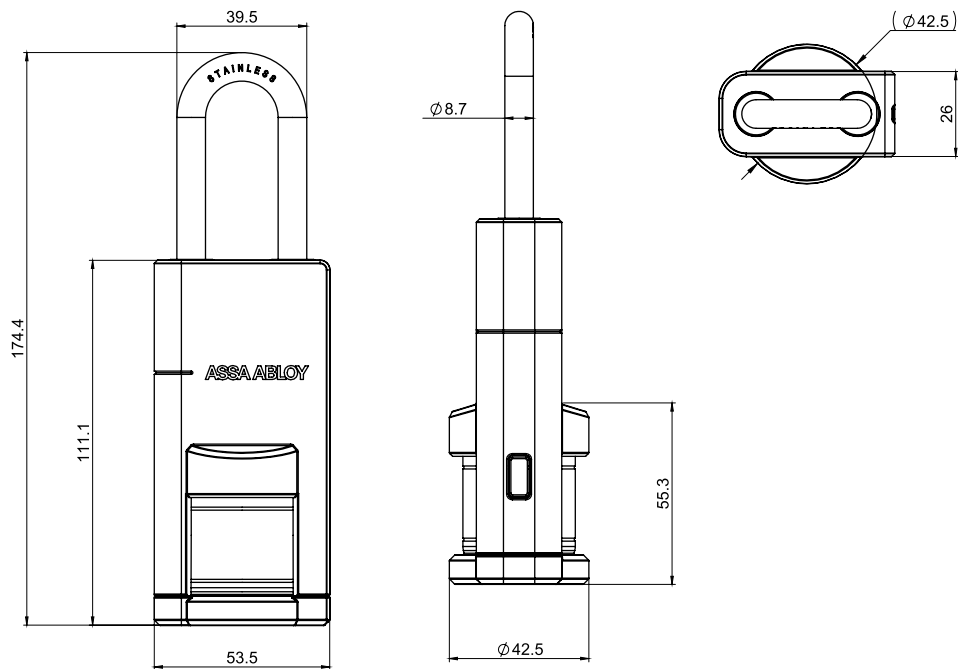
#### Smart Credential Handling:

Up to 1000 users can be granted access even if the EAC is temporarily down.

# Aperio P100 Wireless Padlock

## Technical information

### Dimensions in mm



# Aperio P100 Wireless padlock

## Ordering information

Article code	Description
P100-100	Aperio V3 Padlock IP66

The ASSA ABLOY Group is the global leader in access solutions. Every day, we help billions of people experience a more open world.

ASSA ABLOY Opening Solutions leads the development within door openings and products for access solutions in homes, businesses and institutions. Our offering includes doors, door and window hardware, locks, access control and service.

**ASSA ABLOY**  
Opening Solutions

ASSA ABLOY Opening Solutions EMEIA  
Digital and Access Solutions  
Dukes Court  
Duke Street  
Woking  
GU21 5BH  
United Kingdom  
assaabloy.com

Output Date: 21.08.2024