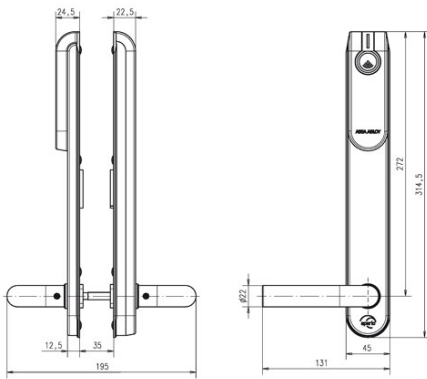




Wireless lock technology  
expanding access control systems

## E900 SCAND BLIND Standard escutcheon blind



### Product description

- Access decision is made by the Aperio™ escutcheon based on access data on card - access data are written on card via EAC system updater
- Can be used with all Scandinavian mortise locks - in wooden, steel and tubular-frame doors
- Main electronics (RFID + radio) outside - security-relevant electronics inside
- Outside handle rotates freely - inside handle always engaged
- Possibility to store up to 10 emergency cards (only used in case of disconnection from the hub)
- LED for status visualisation

### Accessories/Individual parts

- Programming application tool
- Battery
- Escutcheon spare spindle set

### Scope of delivery

- 1 escutcheon with battery (Lithium CR123A) and installation instructions
- Screws, drilling template and tool (for inserting cables)

### Technical data - Standard escutcheon blind

	<b>Approvals (CERTIFICATION=)</b>	CE
	<b>Dimensions</b>	312 x 41 x 10/20 mm (H x W x D)
	<b>Application versions (VERSION=)</b>	Basic = interior and exterior doors up to grade 2
	<b>Handle versions (HANDLE=)</b>	L-Shape, U-Shape
	<b>Escutcheon finish (FINISH=)</b>	Stainless steel brushed (ST)
	<b>Distance/ Spindle (DISTANCE=)</b>	105 mm with spindle 8 mm
	<b>Door Thickness (DOOR THICKNESS=)</b>	Door leaf between 35 and 95 mm thick, in 10mm increments
	<b>Backset</b>	> 40 mm
	<b>Mounting plate (PLATE=)</b>	45mm or 55mm
	<b>Battery</b>	1 x Lithium CR123A
	<b>Battery life</b>	> 40,000 cycles (for max. 3 years)
	<b>Radio standard</b>	IEEE 802.15.4 (2.4 GHz)
	<b>Encryption (radio communication)</b>	AES 128 bits
	<b>Class of protection</b>	IP 52
	<b>Operating temperature range</b>	0°C to 60°C
	<b>Humidity</b>	< 85% (condensation-free)
	<b>Status</b>	LED (red/green/orange)
	<b>RFID Technology</b>	MIFARE™ classic; MIFARE™ DESFire™ EV1
	<b>RFID reading</b>	UID / Sektor / Block / Application / File
	<b>Scanning range</b>	< 4 cm