



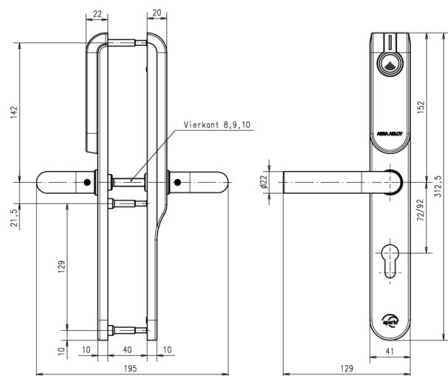
Standard escutcheon Outside Euro Profile / Inside blind

Product description

- Access decision is made by the AAperio® escutcheon based on access data on card - access data are written on card via EAC system updater
- Can be used with all European (DIN) mortise locks - in wooden, steel and tubular-frame doors
- Main electronics (RFID + radio + BLE) outside - security-relevant electronics inside
- Outside handle rotates freely - inside handle always engaged
- LED for status visualisation

Scope of delivery

- 1 escutcheon with battery (Lithium CR123A) and installation instructions
- Screws, drilling template and tool (for inserting cables)

Technical data - Standard escutcheon

	Approvals	CE
	Dimension	312 x 41 x 10/20 mm (H x W x D)
	Handle Version	L-Shape, U-Shape Basic = internal doors to category 2
	Surface	Stainless steel brushed (ST)
	Distance	Distance 72 mm, 85 mm, 92 mm; Spindle 8 mm, 9 mm, 10 mm
	Door leaf thickness	Door leaf between 40 and 100 mm thick, in 10 mm increments
	Backset	> 40 mm
	Battery	1 x Lithium CR123A
	Battery life	30 openings per day for 49 months
	Radio standard	IEEE 802.15.4 (2.4 GHz)
	Encryption (radio communication)	AES 128 bits
	Class of protection	IP 52
	Operating temperature range	0°C to 60°C
	Relative humidity	< 85% (condensation-free)
	Status	LED (red/green/orange)
	RFID Technologies (Based on reader type)	MIFARE Classic® / MIFARE® DESFire® EV1
	RFID reading	UID / Sektor / Block / Application / File
	RFID Reading range	< 4 cm
	OSS Standard Offline	Optional available (MIFARE® DESFire®, LEGIC® Advant)