



Wireless lock technology
expanding access control systems

E900 EURO Standard escutcheons



Product description

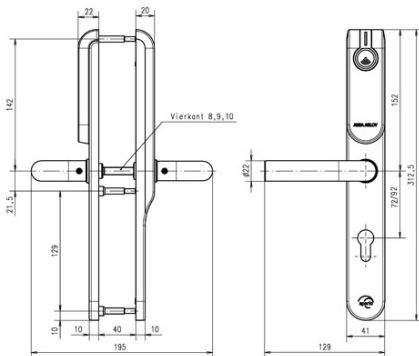
- Access decision is made by the Aperio™ escutcheon based on access data on card - access data are written on card via EAC system updater
- Can be used with all European (DIN) mortise locks - in wooden, steel and tubular-frame doors
- Main electronics (RFID + radio) outside - security-relevant electronics inside
- Outside handle rotates freely - inside handle always engaged
- Possibility to store up to 10 emergency cards (only used in case of disconnection from the hub)
- LED for status visualisation

Accessories/Individual parts

- Programming application tool
- Battery
- Escutcheon spare spindle set
- Optional Coveringplate - to cover existing boreholes

Scope of delivery

- 1 escutcheon with battery (Lithium CR123A) and installation instructions
- With or without communication hub
- Screws, drilling template and tool (for inserting cables)



Technical data - Standard escutcheons

	Approvals (CERTIFICATION=)	CE
	Dimensions	312 x 41 x 10/20 mm (H x W x D)
	Application versions (VERSION=)	Basic = interior and exterior doors up to grade 2
	Handle versions (HANDLE=)	L-Shape, U-Shape
	Escutcheon finish (FINISH=)	Stainless steel brushed (ST)
	Distance/ Spindle (DISTANCE=)	Distance 72 mm, 92 mm; Spindle 8 mm, 9 mm, 10 mm
	Door Thickness (DOOR THICKNESS=)	Door leaf between 40 and 100 mm thick, in 10 mm increments
	Backset	> 40 mm
	Battery	1 x Lithium CR123A
	Battery life	> 40,000 cycles (for max. 3 years)
	Radio standard	IEEE 802.15.4 (2.4 GHz)
	Encryption (radio communication)	AES 128 bits
	Class of protection	IP 52
	Operating temperature range	0°C to 60°C
	Humidity	< 85% (condensation-free)
	Status	LED (red/green/orange)
	RFID Technology	MIFARE™ classic; MIFARE™ DESFire™ EV1
	RFID reading	UID / Sektor / Block / Application / File
	Scanning range	< 4 cm

