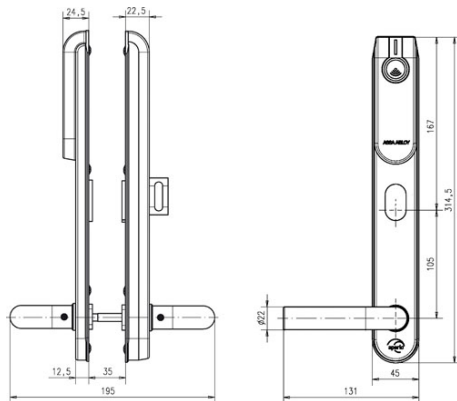




Wireless lock technology expanding access control systems

E100 SCAND THUMBTURN Standard Escutcheon with thumbturn



Product description

- Communication from hub via RS485 bus to the Online Access Control System (addressable) - access decision in the EAC system
- Can be used with all Scandinavian mortise locks - in wooden, steel and tubular-frame doors
- Main electronics (RFID + radio) outside - security-relevant electronics inside
- Outside handle rotates freely - inside handle always engaged
- Possibility to store up to 10 emergency cards (only used in case of disconnection from the hub)
- LED for status visualisation

Accessories/Individual parts

- Programming application tool
- Battery
- Escutcheon spare spindle set

Compatible ASSA ABLOY products

- AH13 1-to-1 Standard Aperio™ RS485 communication hub
- AH30 1-to-8 Standard Aperio™ RS485 communication hub
- AH15 1-to-1 Standard Wiegand Aperio™ Wiegand interface communication hub
- AH20 1-to-1 Advanced Wiegand Aperio™ Wiegand interface communication hub

Scope of delivery

- 1 escutcheon with battery (Lithium CR123A) and installation instructions
- With or without communication hub
- Screws, drilling template and tool (for inserting cables)

Technical data - Standard Escutcheon with thumbturn

	Approvals (CERTIFICATION=)	CE
	Dimensions	312 x 41 x 10/20 mm (H x W x D)
	Application versions (VERSION=)	Basic = interior and exterior doors up to grade 2
	Handle versions (HANDLE=)	L-Shape, U-Shape
	Escutcheon finish (FINISH=)	Stainless steel brushed (ST)
	Distance/ Spindle (DISTANCE=)	105 mm with spindle 8 mm
	Door Thickness (DOOR THICKNESS=)	Door leaf between 35 and 95 mm thick, in 10mm increments
	Backset	> 40 mm
	Mounting plate (PLATE=)	45mm or 55mm
	Battery	1 x Lithium CR123A
	Battery life	> 40,000 cycles (for max. 3 years)
	Radio standard	IEEE 802.15.4 (2.4 GHz)
	Encryption (radio communication)	AES 128 bits
	Distance between the cylinder and hub	Typical range of 5 m or 25 m depending on the hub type and building environments
	Class of protection	IP 52
	Operating temperature range	0°C to 60°C
	Humidity	< 85% (condensation-free)
	Status	LED (red/green/orange)
	RFID Technology	iCLASS®/ISO 14443B; MIFARE™ classic; MIFARE™ plus; MIFARE™ DESFire™ EV1; HID PROX/ EM410x
	RFID reading	UID / Sektor / Block / Application / File
	Scanning range	< 4 cm



MIFARE™
CLASSIC / PLUS

EM410x

ASSA ABLOY Access Control
School Street
Willenhall
West Midlands
WV13 3PW
United Kingdom
Phone: 0845 070 6222
Email: aperio@assaabloyuk.com