

HSG2 Environmental PoE Housing

Outdoor IP67 Vandal Resistant Housing

HSG2 Outdoor IP67 PoE housing with heater and dual fans



The HSG2 environmental PoE housing provides excellent protection for the entire MegaVideo® line of Arecont Vision cameras.

PoE Solution to power Megavideo® Box Camera, Heater and Fans.
(No Auxiliary Power Required)

Compact Housing

Complete optional line of mounting accessories, including wall mount, **Junction Box Adapter**, Electrical Box Adapter, etc.

Arecont Vision Advantages:

Superior Solution for Various Environments

- Designed for Indoor or outdoor applications

Excellent Enclosure Protection

- Waterproof complies with the IP67 standard

Vandal Resistant

- Die-cast aluminum, resistant to impact and salt damage

Compatibility

- Designed to house the entire line of MegaVideo® cameras

Easy Installation

- Side opening, easy to install a camera

Other key features:

- Light ivory powder coating
- Internal cable management
- Cable feed through wall mount included
- Heater and blower embedded and more

Specification sheets subject to change without notice 7.30.12

Model Numbers:

HSG2 Outdoor IP67 PoE housing with heater and dual fans

Mechanical

- Housing material:
Aluminum
- Color:
Ivory
- Die Casting Housing
- Dimension:
136(W)x95(H)x322(L)mm / 5.3"(W)x3.7"(H)x12.6"(L)
- Internal Usable Area:
111(W)x75(H)x240(L)mm / 4.3"(W)x2.9"(H)x9.4"(L)
- Internal Cable Management
- Weight w/o camera:
Housing: 2500g (5.51 lbs)

Electrical

- Power Supply:
PoE 802.3 af class 3 to support camera, dual fans and heater
- Auxiliary Power:
12VDC
- Power Consumption:
13 Watts Maximum, including
Heater 3 watts
Fan 1.4 watts (each)
- Heater on: (PoE or 12VDC)
4°C ± 3°C
- Fan on: (PoE or 12VDC)
Fan #1: Always on
Fan #2: 35°C ± 5°C

Environmental

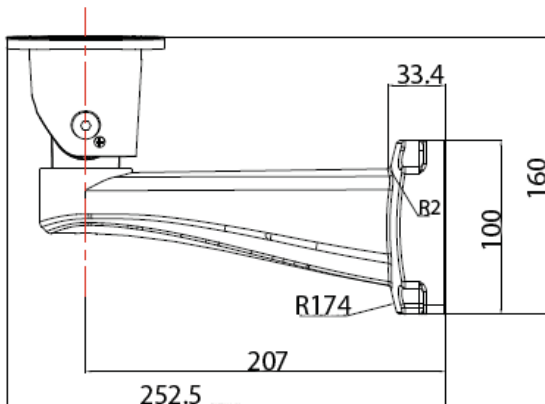
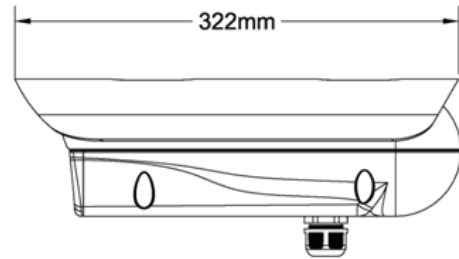
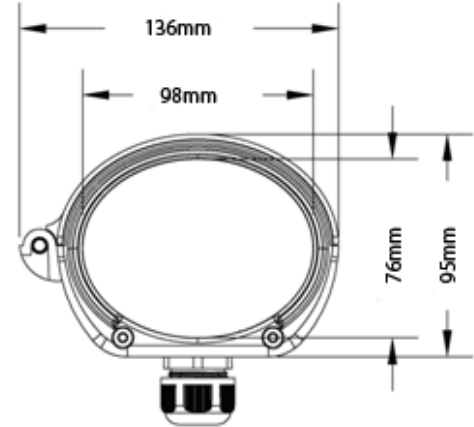
- Operating Temperature - 40°C (-40°F) to 60°C (140°F)
- Operating Humidity 90% RH (max)

Compatibility

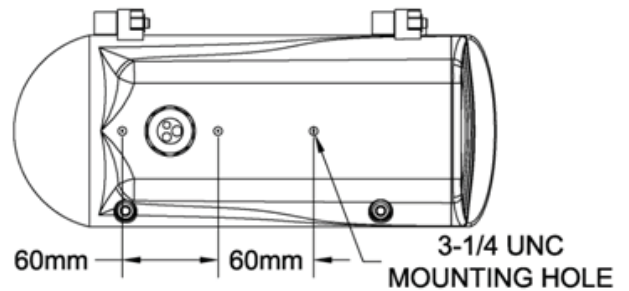
MegaVideo® Camera
MegaVideo® Compact Camera

Compatible Accessories and Cameras

HSG2-WMT: Wall Mount
SV-JBA: Junction Box Adapter
SV-EBA: Electrical Box Adapter
MD-CRMA: Corner Mount Adapter
MD-PMA: Pole Mount Adapter



**Wall mount (Sold Separately)
HSG2-WMT**



HSG2